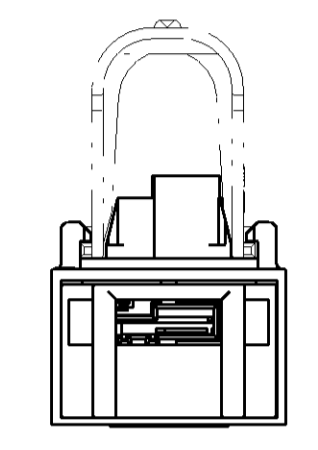
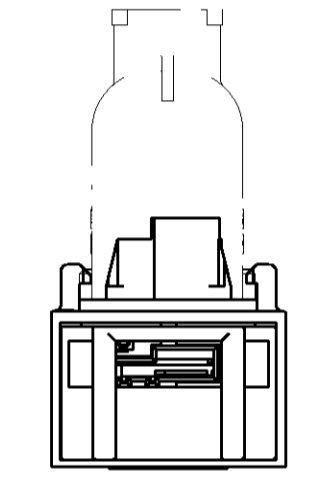


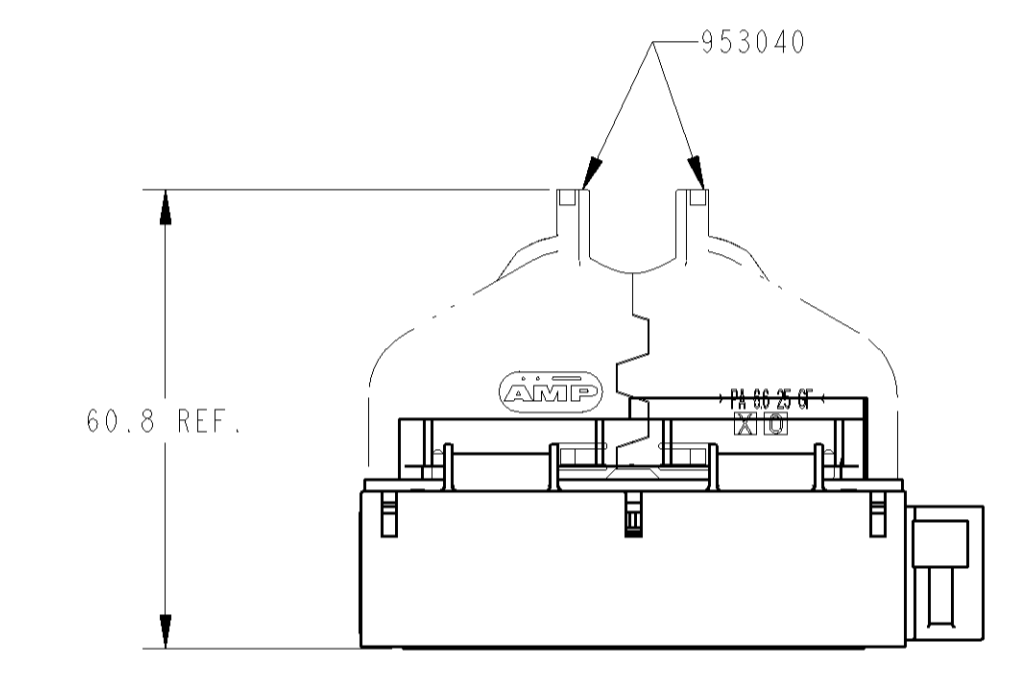
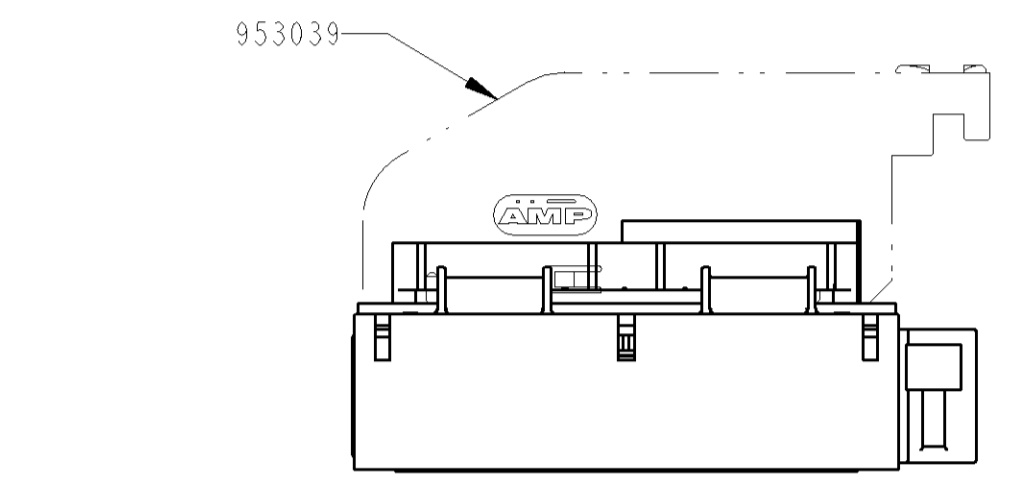
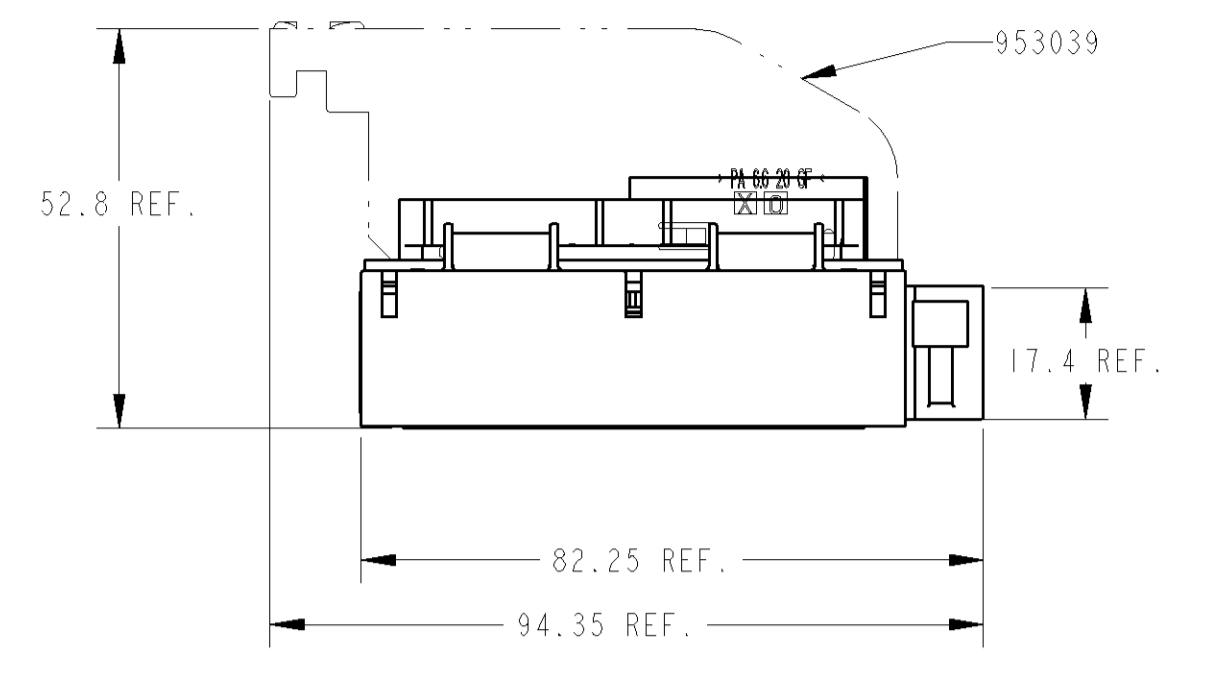
COVER LEFT EXIT
(CAPOT SORTIE GAUCHE)



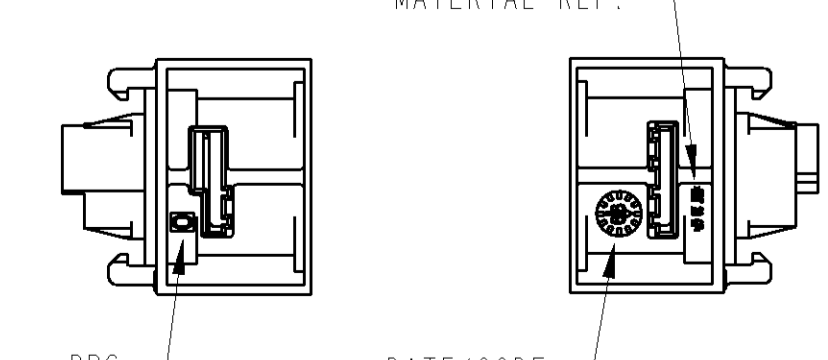
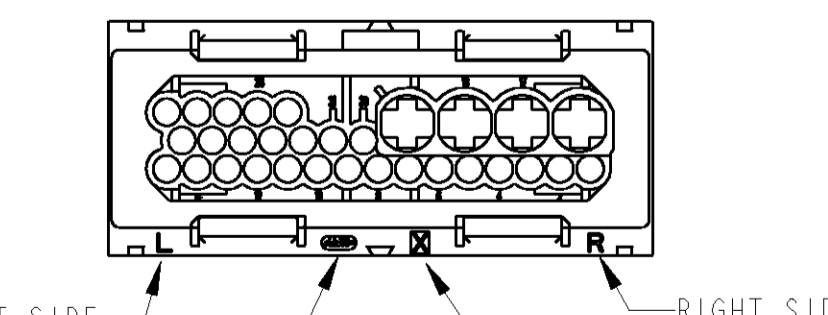
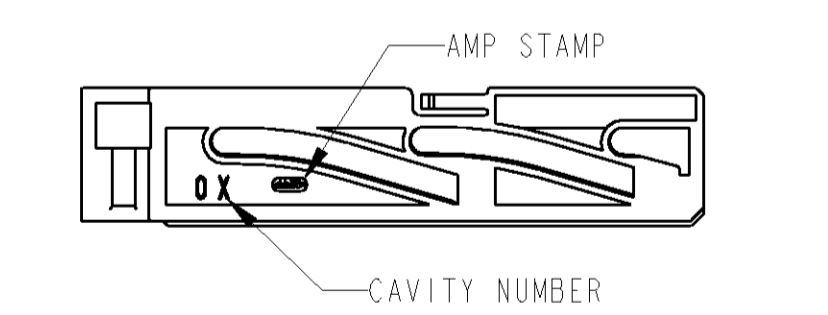
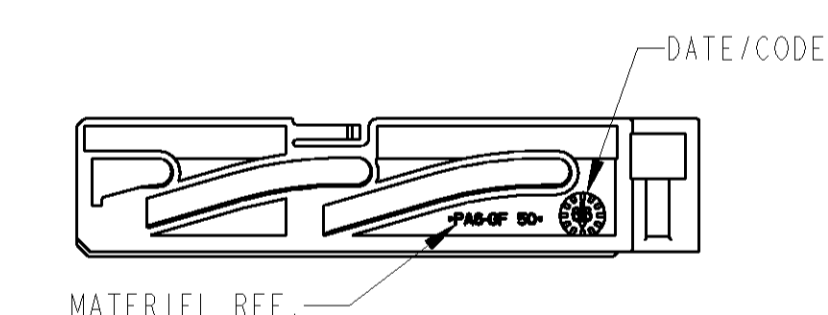
COVER RIGHT EXIT
(CAPOT SORTIE DROITE)



COVER VERTICAL EXIT
(CAPOT SORTIE VERTICALE)



Part Number	Configuration	Material	Color	Short Circuit	Coding	Front View	
1-953041-4	NONE AUCUNE	PBT 20% GF PBT 20% FV	BLACK NOIR	YES OUI	CODING 1 CODAGE 1		
1-953041-2	4 - 10 - 12 - 13 22 - 23 - 24 - 25 26 - 27 - 28 - 29 30 - 31	PBT 20% GF PBT 20% FV	BLACK NOIR	NO NON	CODING 2 CODAGE 2		
1-953041-1	4 - 10 - 12 - 13 22 - 23 - 24 - 25 26 - 27 - 28 - 29 30 - 31	PBT 20% GF PBT 20% FV	BLACK NOIR	YES OUI	CODING 1 CODAGE 1		
953041-8	3 - 10 - 22 - 23 24 - 25 - 26 - 29	PBT 20% GF PBT 20% FV	BLACK NOIR	YES OUI	CODING 1 CODAGE 1		
OBsolete	953041-7	PBT 20% GF PBT 20% FV	BLACK NOIR	YES OUI	CODING 1 CODAGE 1		
OBsolete	953041-6	PBT 20% GF PBT 20% FV	BLACK NOIR	NO NON	CODING 2 CODAGE 2		
	953041-5	PBT 20% GF PBT 20% FV	BLACK NOIR	NO NON	CODING 2 CODAGE 2		
OBsolete	953041-4	PBT 20% GF PBT 20% FV	BLACK NOIR	NO NON	CODING 2 CODAGE 2		
	953041-3	PBT 20% GF PBT 20% FV	BLACK NOIR	YES OUI	CODING 1 CODAGE 1		
	953041-2	PBT 20% GF PBT 20% FV	BLACK NOIR	YES OUI	NEUTRAL NEUTRE		
	953041-1	PBT 20% GF PBT 20% FV	BLACK NOIR	YES OUI	NEUTRAL NEUTRE		
REAR VIEW (VUE ARRIERE)	AMP REF (REF AMP)	BLOCKED UP CAVITIES (ALVEOLES BOUCHEES)	MATERIAL (MATIERE)	COLOR (COULEUR)	SHORT CIRCUIT (SHUNT)	CODING (CODAGE)	FRONT VIEW (VUE AVANT)



Color	Material	Designation	P/N	Rep
NATUREL	INOX DORE	SHUNT	953165-1	5
ROUGE	SILICONE	JOINT	953066-2	4
ROUGE	PA6 50% FV	ETRIER	953046-2	3
NOIR	PBT 20% FV	BOITIER	953045-9	2
NOIR	PBT 20% FV	BOITIER	953045-6	2
NOIR	PBT 20% FV	BOITIER	953045-4	2
NOIR	PBT 20% FV	BOITIER	953045-3	2
NOIR	PBT 20% FV	BOITIER	953045-2	2
NOIR	PBT 20% FV	BOITIER	953045-1	2
NOIR	PBT 20% FV	PORTE CLIPS	953034-3	1
NOIR	PBT 20% FV	PORTE CLIPS	953034-2	1
NOIR	PBT 20% FV	PORTE CLIPS	953034-1	1

QTE COMPOSANT

953041-X

TORON MAXI ADMISSIBLE
Ø 16 mm

Color	Material	Designation	P/N	DTM
NATURAL	STAINLESS	SHUNT	953165-1	5
RED	SILICONE	SEAL	953066-2	4
RED	PA6 50% GF	SLIDE	953046-2	3
BLACK	PBT 20% GF	HOUSING	953045-9	2
BLACK	PBT 20% GF	HOUSING	953045-6	2
BLACK	PBT 20% GF	HOUSING	953045-4	2
BLACK	PBT 20% GF	HOUSING	953045-3	2
BLACK	PBT 20% GF	HOUSING	953045-2	2
BLACK	PBT 20% GF	HOUSING	953045-1	2
BLACK	PBT 20% GF	REC. HSG	953034-3	1
BLACK	PBT 20% GF	REC. HSG	953034-2	1
BLACK	PBT 20% GF	REC. HSG	953034-1	1

COMPONENT QTY

953041-X

MAX ADMISSIBLE STRAND
Ø 16 mm

<p>THIS DRAWING IS UNPUBLISHED. RELEASED FOR PUBLICATION BY AMP INCORPORATED. ALL RIGHTS RESERVED. TOOLS, SPECS, RESERVEES.</p> <p>AMP 4005 REV 27 JUN 96</p>	<p>DATE/DESIGN: 28-APR-97</p> <p>DRW / REVISION: 24MAY2000</p> <p>APPV / APPROVE: 24MAY2000</p> <p>PROD / SPEC: 411-15172</p> <p>APPL / SPEC: 411-15399</p> <p>WEIGHT: APPROX. 41.3 g</p> <p>CUSTOMER DRAWING</p>	<p>AMP DE FRANCE</p> <p>95301 PONTAISE</p> <p>ASSY 31W CONNECTOR RIGHT SLIDE</p> <p>ASSEMBLAGE CONNECTEUR 31 VOIES TIMER HYBRIDE - ETRIER DROIT</p> <p>SCALE: 1:1</p> <p>FORMAT: A1</p> <p>UNIDUMENT: 00779</p> <p>SCALE: 1:1</p> <p>REV: S</p>
---	---	---

Mouser Electronics

Authorized Distributor

Click to View Pricing, Inventory, Delivery & Lifecycle Information:

[TE Connectivity:](#)

[953041-1](#)