

THIS DRAWING IS UNPUBLISHED.

RELEASED FOR PUBLICATION

ALL RIGHTS RESERVED.

© COPYRIGHT - By -

REVISIONS

P	LTR	DESCRIPTION	DATE	DWN	APVD
	A3	PART STATUS UPDATED	11JAN2018	RK	PS

MATERIALS:

HOUSING: PA66, UL94V-0, COLOR: GREEN.
 CONTACT: PHOS BRONZE, TIN PLATED.
 WIRE GUARD: STEEL, ZINC CHROMATE.
 CAGE CLAMP: STEEL, ZINC CHROMATE.
 SCREW: STEEL, ZINC PLATED.

ELECTRICAL:

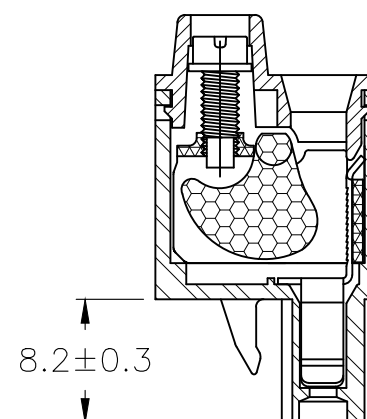
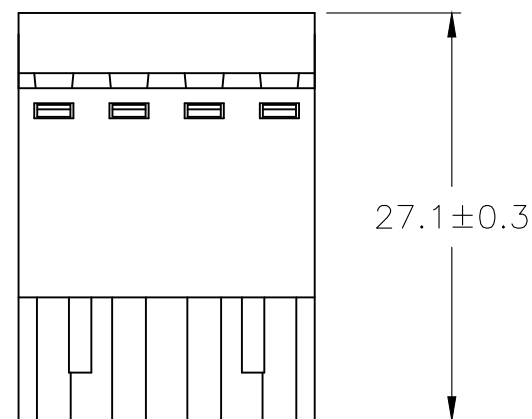
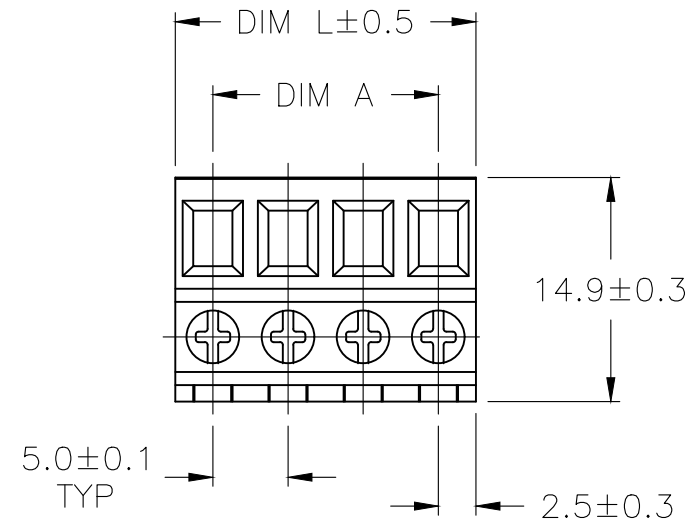
VOLTAGE RATING: 300V.
 CURRENT RATING: 16A.
 INSULATION RESISTANCE 2000Mohm/DC500V.
 WITHSTANDING VOLTAGE AC2000V MIN
 WIRE RANGE: 14-24 AWG

MECHANICAL:


SCREW TORQUE: 4.5 IN-LB
 WIRE STRIP LENGTH: 10mm

ENVIRONMENTAL:

WORKING TEMP.: -40°C TO +105°C.



OBSOLETE	60.0	55.00	12	1-1986300-2
	55.0	50.00	11	1-1986300-1
	50.0	45.00	10	1-1986300-0
	45.0	40.00	9	1986300-9
OBSOLETE	40.0	35.00	8	1986300-8
	35.0	30.00	7	1986300-7
	30.0	25.00	6	1986300-6
	25.0	20.00	5	1986300-5
OBSOLETE	20.0	15.00	4	1986300-4
	15.0	10.00	3	1986300-3
	10.0	5.00	2	1986300-2
	DIM L	DIM A	NO OF POS	PART NUMBER

THIS DRAWING IS A CONTROLLED DOCUMENT.		DWN S SCHLEGEL 27NOV2007	 TE Connectivity			
DIMENSIONS: mm		CHK C RICHARD 11/28/07				
TOLERANCES UNLESS OTHERWISE SPECIFIED:		APVD C RICHARD 11/28/07	NAME			
0 PLC ± - 1 PLC ± 0.2 2 PLC ± 0.10 3 PLC ± - 4 PLC ± - ANGLES ± 1°		PRODUCT SPEC	TERMINAL BLOCK, PLUG, 5.0mm PITCH			
MATERIAL		APPLICATION SPEC	SIZE	CAGE CODE	DRAWING NO	RESTRICTED TO
FINISH		WEIGHT	A3	00779	C-1986300	-
CUSTOMER DRAWING			SCALE	SHEET	REV	
			NTS	1 OF 1	A3	

Mouser Electronics

Authorized Distributor

Click to View Pricing, Inventory, Delivery & Lifecycle Information:

[TE Connectivity:](#)

[1986300-4](#)