



RoHS
Ready 

AMP Circular Connectors for Commercial Signal & Power Applications

Introduction

Product Facts

- Lightweight, all-plastic and metal-shell connectors
- CPC connectors are UL 94V-0 rated and made of stabilized, heat resistant, self-extinguishing thermoplastic material
- Metal-shell CPC connector housings made of UL 94V-0 rated thermoplastic
- Operating temperature range: -40°C to +105°C
- Available in panel or chassis mount and free-hanging configurations
- Quick connect/disconnect capability with thread assist, positive detent coupling
- Built-in pin and socket protection
- Polarized for proper mating of connector halves
- Special connector configurations offer special solder and posted contacts, special receptacles with or without threaded inserts
- Full complement of optional accessories
- Recognized under the Component Program of Underwriters Laboratories Inc.  for 250 VAC, rms or 250 VDC, Service‡; Series 1 and Series 3 (600 V); Series 4 (600 V) and Series 2, Series 6 (250 V) File No. E28476

‡Select connectors are recognized for 600 volts service.

Restriction on the use of Hazardous Substances (RoHS)

At Tyco Electronics, we're ready to support your RoHS requirements. We've assessed more than 1.5 million end items/components for RoHS compliance, and issued new part numbers where any change was required to eliminate the restricted materials.

Part numbers in this catalog are RoHS Compliant, unless marked otherwise. These products comply with European Union Directive 2002/95/EC as amended 1 January 2006 that restricts the use of lead, mercury, cadmium, hexavalent chromium, PBB, and PBDE in

- Certified by Canadian Standards Association, File No. LR 7189 
- Produced under a Quality Management System certified to ISO 9001  A copy of the certificate is available upon request.
- Certain products meet VDE Standard 062 

Six connector series for different interconnection requirements:

- Series 1—Standard density, signal and low-current applications using durable Multimatch contacts (.062 [1.57] pin diameter)
- Series 2—High density applications using Size 20 DM and 20 DF contacts (.040 [1.02] pin diameter)
- Series 3—Low density, power applications with Type XII contacts capable of carrying up to 35 amperes of current
- Series 4—Combination of standard and power density application with Type III+ and Type XII contacts
- Series 5—Power density application with Size 8 screw machined and precision formed contacts
- Series 6—Combination of standard and power density application with Type III+ and Size 8 contacts

certain electrical and electronic products sold into the EU as of 1 July 2006.

Note - For purposes of this Catalog, included within the definition of RoHS Compliant are products that are clearly "Out of Scope" of the RoHS Directive such as hand tools and other non-electrical accessories. Information regarding RoHS compliance is provided based on reasonable inquiry of our suppliers and represents our current actual knowledge based on the information provided by our suppliers. This information is subject to change. For latest compliance status, refer to our website referenced at right.

MIL-C-5015 Style Circular Plastic Connectors (CPC)

Product Facts

- Intermateable with Metal-Shell sizes 20-14 and 18-10, MIL-C-5015 Style connectors
- High impact resistant plastic housing made of UL 94V-0 rated material
- Lightweight
- Lower cost than standard MIL-C-5015 connectors
- Industry accepted Type III+ pin and socket contacts, available on reels in strip form for high volume, low cost, automatic machine terminations, or in loose piece form for low volume, prototype or maintenance and repair
- Improved alignment (U.S. Standard MIL-C-5015 Connectors) prevents mismatching with other housing insert arrangements
- Recognized under the Component Program of Underwriters Laboratories Inc.,  File No. E28476
- Certified by Canadian Standards Association, File No. LR 7189 

Miniature CPC Connectors

Product Facts

- Compact, high contact density, environmentally sealed connectors
- Uses existing Mini-Universal MATE-N-LOK stamped and formed pin and socket contacts
- Two shell sizes—available in 1 to 4 and 5 to 9 position configurations

Need more information?

Call Technical Support.

They are staffed with specialists well versed in Tyco Electronics products. They can provide:

- Technical Support
- Catalogs
- Technical Documents
- Product Samples
- Authorized Tyco Electronics Distributor Locations

©1973, 1975, 1976, 1978, 1981, 1983, 1985, 1989, 1990, 1991, 1992, 1995, 1996, 1999, 2000, 2001, 2002, 2004, 2006 and 2007 by Tyco Electronics Corporation. All Rights Reserved.

AMP, AMPOMATOR, AMP-O-LECTRIC, AMP-O-MATIC, AMP-TAPETRONIC, CERTI-CRIMP, COAXICON, MATE-N-LOK, POWERBAND, PRO-CRIMPER and TYCO are trademarks.

Komax and TopWin are trademarks of Komax AG.

TETRASEALS is a trademark of Parker Hannifin Corporation.

AIRflex, FLEXAgraff, FLEXAquick, and ROHRflex are trademarks of Flexa GmbH & Co.

Other products, logos, and Company names mentioned herein may be trademarks of their respective owners.

Getting the Information You Need

Our comprehensive on-line RoHS Customer Support Center provides a forum to answer your questions and support your RoHS needs. A RoHS FAQ (Frequently Asked Questions) is available with links to more detailed information. You can also submit RoHS questions and receive a response within 24 hours during a normal work week. The Support Center also provides:

- Cross-Reference from Non-compliant to Compliant Products
- Ability to browse RoHS Compliant Products in our on-line catalog

- Downloadable Technical Data

- Customer Information Presentation

- More detailed information regarding the definitions used above

So whatever your questions when it comes to RoHS, we've got the answers at

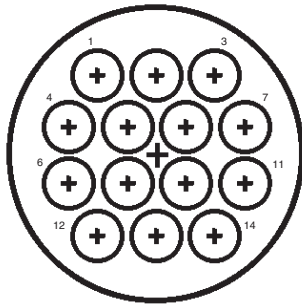
www.tycoelectronics.com/leadfree

RoHS
Customer
Support
Center 

Table of Contents

| | |
|--|------------|
| Introduction | 2 |
| Contents | 3 |
| Connector Series and Types | 4, 5 |
| Performance Characteristics | 6 |
| Internal Protection (IP) Codes | 7 |
| Current Carrying Capabilities | 8 |
| Example of New Current Rating Format | 9 |
| CPC, Series 1 | |
| Cable or Panel Mount Connectors | 10, 11 |
| Printed Circuit Board Mount Connectors | 12, 13 |
| Square Flange Receptacles with Round Posted Contacts | 13 |
| Square Flange Receptacles with Solder Cup Contacts | 14 |
| Feed-Thru Connectors | 14 |
| Square Flange Receptacles, Right-Angle, Posted | 15, 16 |
| Contacts, Type III+ (including Lead Free and Enhanced High Current) | 17-20 |
| Contacts, Type II | 21 |
| Contacts, Subminiature Coaxial | 22, 23 |
| Contact Arrangements, Series 1 | 24 |
| Component Dimensions, Series 1 | 25 |
| CPC, Series 2 | |
| Cable or Panel Mount Connectors | 26 |
| Printed Circuit Board Mount Connectors | 27 |
| Square Flange Feed-Thru Receptacles | 28 |
| Contacts, Size 20 DF Crimp | 29 |
| Contacts, Size 20 DM Crimp and 20 DF Solder | 30 |
| Contact Arrangements, Series 2 | 31 |
| Component Dimensions, Series 2 | 32 |
| CPC, Series 3 | |
| Plugs and Receptacles, Series 3 | 33 |
| Power Contacts, Type XII | 34, 35 |
| Contact Arrangements, Series 3 | 35 |
| Component Dimensions, Series 3 | 36 |
| CPC, Series 4 | |
| Plugs and Receptacles, Series 4 | 37 |
| Contact Arrangements, Series 4 | 38 |
| CPC Connector Accessories | |
| Cable Clamps | 38, 39 |
| Back-Shell Extender and Panel Mount Flanges | 40 |
| Flexible Cable Boots and Internal Cable Grips | 41 |
| Keying Plugs | 42 |
| Sealed CPC Connectors | |
| One-Piece Sealed CPC | 43-45 |
| Two-Piece Sealed CPC | 46 |
| .125 POWERBAND Contacts | 47 |
| Connectors, Series 5 and Wire Entry Seals | 48 |
| Connectors, Series 6 and Wire Entry Seals | 49 |
| Connectors, Special Series 1 | 50 |
| Wire Entry Seal Kits and Flange Seals | 51 |
| CPC Connector Sealing Accessories | |
| Sealing Caps and Cable Entry Seals | 52 |
| Jacketed Cable Seals and Rubber Boot | 53 |
| Flexible Cable Protection System | 54 |
| MIL-C-5015 Style Circular Plastic Connectors | |
| Introduction | 55 |
| Connectors, Plugs and Receptacles—Shell Size 20-14 | 56 |
| Connectors, Plugs and Receptacles—Shell Size 18-10, and Type III+ Contacts | 57 |
| Metal-Shell Circular Plastic Connectors | |
| Introduction | 58 |
| Receptacles and Plugs, Series 1, Standard Sex | 59 |
| Receptacles and Plugs, Series 1, Reverse Sex | 60 |
| Contact Arrangements, Series 1 | 61 |
| Receptacles and Plugs, Series 2, Standard Sex | 62 |
| Receptacles and Plugs, Series 2, Reverse Sex | 63 |
| Contact Arrangements, Series 2 | 64 |
| Receptacles and Plugs, Series 3, Standard Sex | 65 |
| Receptacles and Plugs, Series 3, Reverse Sex | 66 |
| Contact Arrangements, Series 3 | 67 |
| Receptacles and Plugs, Series 4, Standard Sex | 68 |
| Contact Arrangements, Series 4 | 69 |
| Component Dimensions, Series 1, 2, 3 and 4 | 70 |
| Metal-Shell CPC Connector Accessories | |
| Cable Clamps, Cable Entry Seals and Protective Cap Assemblies | 38, 39, 71 |
| Miniature CPC Connectors | |
| Introduction | 72 |
| Plugs, Receptacles and Contacts | 73-75 |
| Accessories | 75 |
| Application Tooling | 76-79 |
| Technical Documents | 80 |
| Part Number Index | |
| Products | 81, 82 |
| Tooling | 83 |
| Part Number Cross Reference (Non-Compliant to RoHS Compliant) | 83 |
| Global Contacts | 84 |

Connector Series and Types

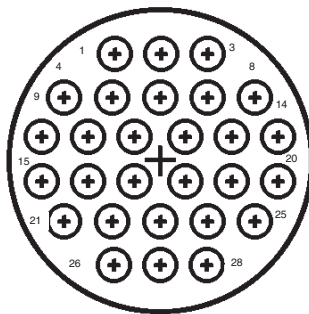


Series 1—Size 16 Contacts

Series 1 connectors permit the use of multiple combinations of signal and coaxial circuits in the same housing by accepting durable Multimate contacts. These pin and socket contacts include Type III+ and

subminiature coaxial contacts, interchangeable in the same Multimate contact cavity. Type III+ contacts (.062 [1.57] pin diameter) are capable of carrying a maximum of 13 amperes when crimped in wire.

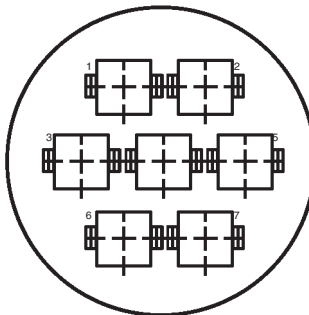
Type III solder contacts and posted contacts for pc board applications are also available. Many connector arrangements offer both standard and reverse sex contact loading—**from 4 thru 37 positions.**



Series 2—Size 20 Contacts

Series 2 connectors accept Size 20 DF (precision formed) and Size 20 DM (screw-machined) pin and socket contacts with a .040 [1.02] pin diameter. Size 20 DF contacts are available in crimp and solder versions, as well as a posted version

for wrap-type and pc board applications. Maximum current carrying capability is 7.5 amperes. Many connector arrangements offer both standard and reverse sex contact loading—**from 8 thru 63 positions.**



Series 3—Power Contacts

Series 3 connectors accept Type XII power contacts which can carry up to 25 amps per contact. These contacts will accommodate a wire size range of 16 to

10 AWG [1.4 to 5 mm²]. Two connector sizes are available in both standard and reverse sex connector arrangements **3 and 7 positions.**



Series 4—Combination Size 16 and Power Contacts

Series 4 connectors accept Size 16 Multimate and Type XII power contacts, combining the signal and coaxial circuit capabilities of Series 1 connectors with the

power circuit capabilities of Series 3 connectors. Available in two connector sizes offering power mixing combinations totaling **16 and 22 positions.**

Connector Series and Types (Continued)



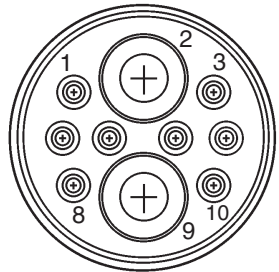
**Series 5—Power Contacts
.125 POWERBAND**

Series 5 connectors combine the revolutionary performance of the new AMP POWERBAND Contact, high current contact in configurations similar to the Series 3 connectors. AMP POWERBAND contacts offer the electrical

performance of the best Mil Spec Size 8 screw-machined contacts with the economy and productivity of strip-fed, precision formed contacts.

Series 5 connectors are environmentally sealable to meet IEC IP 65 and IP 67 specifications.

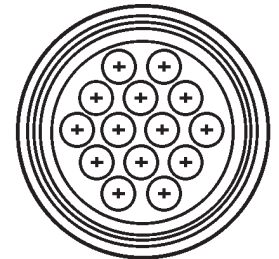
Rated at 600 VAC or VDC, 45 amperes maximum in a single contact, the connectors are available in free-hanging and panel-mount applications—**one connector configuration containing three .125 POWERBAND contacts.**



**Series 6—Combination,
Size 16 and .125
POWERBAND Contacts**

Series 6 combines the high current and environmental sealing capability of Series 5, POWERBAND contacts, and the reliability of signal carrying, low current Type III+ contacts.

This combination of power and signal contacts is offered in **one connector configuration containing two .125 POWERBAND contacts and eight Type III+ signal pin and socket contacts.**



**MIL-C-5015 Style—Size 16
Contacts**

This new addition to the AMP Circular Plastic Connector Line is specifically designed to be **intermateable with Metal-Shell size 20-14 and 18-10, MIL-C-5015 Style connector systems.** The high impact resistant plastic housing offers the advantages of light weight

and lower cost than existing metal-shell connectors. In addition the connector design prevents mismatching when used with other insert arrangements. As part of the AMP Multimate family of connectors, the MIL-C-5015 style connector offers the

economies of crimp Type III+ pin and socket contacts in reel-mounted, strip-form for high volume automatic machine termination, as well as in loose piece-form for low volume, prototype or maintenance and repair.



**Metal-Shell, Circular
Plastic Connectors**

Metal-Shell CPC connectors consist of a black thermoplastic insert in a nickel-plated, zinc alloy shell. These connectors are currently available in

shell sizes 14, 22 and 28, and in two basic configurations consisting of plugs and square flange receptacles.



Miniature CPC Connectors

These compact connectors accept existing Mini-Universal MATE-N-LOK pin and socket contacts, 30-18 AWG [.05-.8 mm²].

Two shell sizes (8 or 11) are available, accommodating **from 1 to 4 and 5 to 9 positions.**

Featuring high contact density and IP67 sealing, these durable connectors are well suited for many wire-to-wire, wire-to-board, and wire-to-panel applications.

Performance Characteristics — CPC and Metal-Shell CPC Connectors

More information on the performance of AMP CPC and metal-shell CPC connectors is available by requesting the following AMP Product Specifications:

- 108-10024**—
CPC Connectors
- 108-10037**—
Type XII Contacts
- 108-10020**—
Size 20 DM and 20 DF
Contacts
- 108-10040**—
Metal-Shell CPC
Connectors
- 108-10042**—
Type III+ Contacts
- 108-1579**—
Sealed CPC Connectors
with Removeable Contacts

| Test Description | Procedure | Requirements |
|--|---|---|
| Maintenance Aging | Contacts removed and reinserted 10 times using applicable tools | No damage to contacts or housings. Contact retention maintained |
| Contact Retention | Axial load applied to contact to displace to the rear of the connector | Contacts remain in place when subjected to a minimum 10 lb. load* |
| Dielectric Withstanding Voltage (MIL-STD-1344, Method 3001) | Connectors subjected to 1500 volts rms at sea level | No breakdown or flashover |
| Thermal Shock | Connectors subjected to five cycles of temperature change (-55°C and +125°C) | No damage |
| Vibration (MIL-STD-202, Method 204, Test Condition B) | Connectors vibrated (wired and mated). Contacts wired in series with 100 milliamperes flowing during the test | No damage or loosening of parts. No interruption of electrical continuity longer than 10 microseconds |
| Physical Shock (MIL-STD-202, Method 213A, Test Condition A) | Connectors shocked 50 G (wired and mated). Contacts wired in series with 100 milliamperes flowing during the test | No damage or loosening of parts. No interruption of electrical continuity longer than 10 microseconds |
| Durability | Connectors mated and unmated 25 times with tin plated contacts and 500 times with gold plated contacts | No wear through damage to plating |
| Corrosion (Salt Spray) (MIL-STD-202, Method 101, Test Condition B) | Mated connectors subjected to 5% salt spray for 48 hours | No damage |
| Protection Against Solids | a. Test wire is pushed into mated connectors b. Mated connectors subjected to circulating talcum powder | a. Must not touch live parts b. No dust deposits observed on mating surfaces |
| Protection Against Water | Water is projected through jets against mated connector from any direction and then temporarily immersed in water | No water deposits shall be observed on mating surfaces of contacts or housings |
| Temperature Life | Mated connectors subjected to a temperature of +125°C for 200 hours | No damage |
| Insulation Resistance (MIL-STD-1344, Method 3003) | Measurement made between adjacent contacts with connector mated | 5000 megohms minimum ambient temperature |
| Humidity (MIL-STD-202, Method 103, Test Condition B) | Mated connectors subjected to 10 days moisture test | Minimum insulation resistance of 100 megohms |

*For size 16 contacts. Size 8 contacts 25 lb. load, min.

Levels of Protection for Electric Operating Material According to IEC 60529 and IEC 60947, Appendix C

Environmentally Protected Circular Plastic Connectors, for Mated CPC Connectors Utilizing Peripheral Seals and either Wire Entry Seals (for Discrete Wire Applications) or Heat Shrink Boots (for Jacketed Cable Applications). Available are Various Sizes, Series 1, 5 and 6.

Internal Protection (IP)

Definition:

- **Per IEC 60947, Appendix C**—Pertains to low voltage switchgear and control gear.
- **Per IEC 60529**—Pertains to degrees of protection provided by enclosures (IP code).

Sample Designation:

(Where x is a numeral value), i.e. IP 65

IP Codes

IP
Index Letter

X₁
Degree of Protection
against ingress of solid
foreign objects

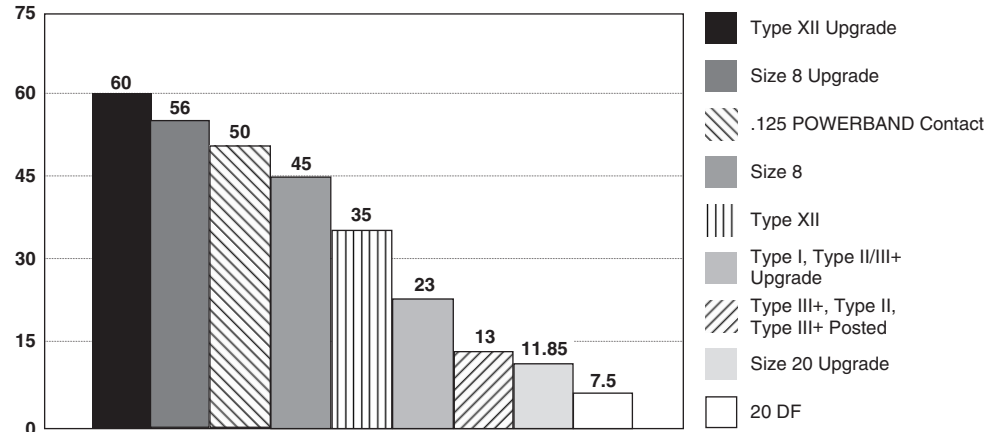
X₂
Degree of Protection
against ingress of water

| Degree of Protection, X ₁ | Protection against ingress of solid foreign objects | Degree of Protection, X ₂ | Protection against ingress of water |
|--------------------------------------|--|--------------------------------------|---|
| | No Protection | 0 | No Protection |
| 1 | Protection against objects >50mm diameter—including inadvertently touched by hands | 1 | Vertical Dripping—Protection against vertical drops of water |
| 2 | Protection against objects >12.5mm—including fingers | 2 | Dripping <15°—Protection against dripping water when the enclosure is tilted 15° from vertical |
| 3 | Protection against objects >2.5mm diameter including tools | 3 | Spraying at an angle up to 60° from vertical |
| 4 | Protection against objects >1.0mm diameter—including grains | 4 | Splashing—Protection against water splashed from any direction |
| 5 | Protection against ingress of solid foreign bodies | 5 | Jetting—Protection against water stream out of a nozzle, from any direction |
| 6 | Protection against ingress of dust | 6 | Powerful Jetting—Protection against temporary flooding due to powerful jet streams out of a nozzle from any direction |
| | | 7 | Temporary immersion—Protection against temporary immersion |

Current Carrying Capabilities

The total current capacity of each contact in a given connector is dependent upon the heat rise resulting from the combination of electrical loads of the contacts in the connector arrangement and the maximum ambient temperature in which the connector will be operating. Caution must be taken so that this combination of conditions does not cause the internal temperature of the connector to exceed the maximum operating temperature of the housing material. Several variables which must be considered when determining this maximum current capability for your application are:

CONTACT CURRENT GUIDE Maximum Current (Amperes) for Largest Wire Size



■ **Wire Size**—Larger wire will carry more current since it has less internal resistance to current flow and generates less heat. The wire also conducts heat away from the connector.

■ **Connector Size**—In general, with more circuits in a connector, less current per contact can be carried.

■ **Current Load Distribution**—Spreading those lines with greater current loads throughout the connector, particularly around the outer perimeter, will enhance heat dissipation.

■ **Ambient Temperature**—With higher ambient temperatures, less current can be carried.

Current Rating Verification Can a contact rated at 10 amps carry 10 amps?

Maybe yes, but probably not. The reason lies in the test conditions used to rate the contact. If these conditions do not adequately reflect the application conditions, the actual allowable current levels may be lower than specified levels. For example, many manufacturers, including Tyco Electronics, test a single contact in air. This gives an accurate measure of the basic current-carrying capacity of the contact. Use the contact alone in air and it can certainly carry 10 amperes. Use it in a multi-position connector surrounded by other current-carrying contacts or in high ambient temperatures, and the contact should carry less current.

Similarly, as the contact ages and stress relaxation, environmental cycling, and other degradation factors take their toll, the contact's current-carrying capacity decreases. A prudent design must set current levels for such end-of-

design-life (EODL) conditions. Practical current-carrying capacity is not an absolute, but an application-dependent condition.

New Method Simplifies Ratings

To help the designer set the appropriate current level, Tyco Electronics has developed a method of specifying current-carrying capacity. This method takes into account the various application factors that influence current rating.

The method can be summarized as follows:

- The contact is aged to EODL conditions by durability cycling, thermal cycling, and environmental exposure.
- The contact's resistance stability is verified.
- The current necessary to produce the specified temperature rise is measured. This T-rise is usually 30°C.
- A rating factor is determined to allow derating of multiple contacts in the same housing and for different conductor sizes.

Temperature

One other factor influencing current levels is the maximum operating temperature, for example, 105°C. If the application has a high ambient temperature (over 75°C) the contact's T-rise is limited by the maximum operating temperature. For example, an application temperature of 90°C limits the contact T-rise to 15°C. Since current produces heat (the I²R law), the current must be lowered to limit the T-rise.

A contact's T-rise depends not only on its I²R Joule heating, but also on its ability to dissipate the heat. Consider a contact in a multi-contact housing. Joule heating in multiple contacts will raise the local ambient temperature. Since the contact will not be able to dissipate its own heat as well by convection, the maximum T-rise will be realized at a lower current level. Consequently, the allowable current level must be lower to maintain an acceptable T-rise.

For a given connector, the current level will be set by the

loading density. A connector containing 50% current-carrying contacts will permit higher currents (per contact) than a connector will at 75% loading. The loading percentage assumes an even distribution of contacts within the housing. If all 10 contacts are grouped together in one section of a 20-position connector, the loading density may approach 100%.

The Importance of EODL

As stated, T-rise in a contact depends on both resistance and current. As it ages, a contact's resistance will increase. The contact designer will specify a maximum resistance for the contact, this level is the end-of-design-life resistance. Before the contact is tested for current, Tyco Electronics subjects it to a sequence of tests that exercises the major failure mechanisms and thereby simulates EODL conditions. Conditioning includes mating cycling, industrial mixed-flowing gases, humidity and temperature cycling, and vibration to sequentially introduce wear, corrosion, stress relaxation, and mechanical disturbance.

Note: All part numbers are RoHS Compliant.

Presentation — An Example*

Current Rating

The presentation of current-carrying capacity in AMP product specifications includes two parts:

- First, a base curve showing current levels versus T-rise for a single circuit and the largest wire size (See figure 1). This represents the maximum current capacity of the contact. The curve is usually flat up to 75°C ambient and then drops off. Up to 75°C, the 30°C T-rise limits the amount of current, and above 75°C the current must be reduced to keep the combination of ambient temperature and T-rise from exceeding the maximum operating temperature of 105°C.
- Next are rating factors, a table of multipliers to account for connector loading and for smaller wire sizes (See figure 2). The designer first determines the base current for the ambient conditions of the application; then multiplies this base current by the rating factors to find the current level for the application's loading factor and wire size.

Practical Values

The current-rating method gives designers practical values applicable to their applications. While the specified current levels for a contact may be lower than for other testing methods, they are more practical and simplify the system design process.

"Spec-manship" is replaced by a realistic assessment of the current-carrying capacity of a contact under varying conditions of temperature, connector loading, and wire size.

Specific current-carrying data based on EOL and % loading is available from Tyco Electronics. Please contact your local Tyco Electronics Sales Engineer or call Tyco Electronics.

Connector/Contact Acceptability

As previously stated, choosing the correct connector/contact combination is fundamental to the successful function of all connectors. The Selector Chart shown at right, is designed to simplify your choice

of connectors and their acceptable contacts. Once you have selected the wire size, current-carrying capacity need, number of positions required, and the type of contacts needed in your choice of connector, refer to this matrix for a quick look at exactly what is acceptable in a given connector type.

***Note:** Data is *not* typical of a specific CPC connector configuration. For specific current rating information based on % connector loading, contact Tyco Electronics.

To demonstrate the method of specifying current, consider the following application conditions; an ambient temperature of 65°C, a 50% loading of contacts in the housing, and 20 AWG [0.6mm²] wire.

- From Figure 1, the base current rating is 14 ampere with 18 AWG [0.8mm²] wire.
- Figure 2, the rating factor for 50% loading and 20 AWG [0.6mm²] wire is 0.68.
- The specific rating for this application is the product of the base rating and the rating factor:
 $14 \times 0.68 = 9.5$ ampere
- Each of the contacts can carry 9.5 ampere.
- However, if the ambient temperature is 80°C the allowable T-rise becomes 25°C. The base current must be lowered to 12.8 ampere so that the 105°C maximum operating temperature is not exceeded. The current rating then becomes:
 $12.8 \times 0.68 = 8.7$ ampere.



Graph shows the relationship between base current, ambient temperature, and contact T-rise.



Rating factors allow the base current to be adjusted for various connector loading and wire sizes.

Contact Selector Chart

| Connector Type | 20 DF | Type I | Type II | Type III+ | Posted Type III+ | Type XII | Sub-Mini Coax | POWERBAND Contacts |
|----------------|-------|--------|---------|-----------|------------------|----------|---------------|--------------------|
| CPC Series 1 | | | ✓ | ✓ | ✓ | | ✓ | |
| CPC Series 2 | ✓ | | | | | | | |
| CPC Series 3 | | | | | | ✓ | | |
| CPC Series 4 | | | ✓ | ✓ | | ✓ | ✓ | |
| CPC Series 5 | | | | | | | | ✓ |
| CPC Series 6 | | ✓ | ✓ | ✓ | | | | ✓ |
| CPC 5015 | | | | ✓ | | | | |
| CMC Series 1 | | | ✓ | ✓ | ✓ | | ✓ | |
| CMC Series 2 | ✓ | | | | | | | |
| CMC Series 3 | | | | | | ✓ | | |
| CMC Series 4 | | | ✓ | ✓ | | ✓ | ✓ | |

Note: All part numbers are RoHS Compliant.

CPC Series 1

CPC Connectors, Series 1 for Cable or Panel Mount
(Accepts Type III+, High-Current Power, Type II and Subminiature Coax Contacts)



Listed part numbers are for connectors only; **contacts must be ordered separately.**

Material

Housing—Thermoplastic, 94V-0 rated, black

Related Product Data

- Contacts**—Pages 17-23
- Contact Arrangement**—Page 24
- Component Dimensions**—Page 25*
- Accessories**—Pages 38-42, 52-54
- Performance Characteristics**—Page 6
- Application Tooling**—Pages 76-79
- Technical Documents**—Page 80

Replacement Coupling Rings

| Shell Size | Part No. |
|------------|----------|
| 11 | 213811-1 |
| 13 | 213813-1 |
| 17 | 213810-1 |
| 23 | 213812-1 |

Keying

Molded-in keying in two configurations:

A—Standard Configuration: 5 Keys



B—Optional Configuration: 4 Keys to prevent mismatching of standard and reverse sex.



Circular Plastic Connectors, Size 1

Square Flange Receptacle



Free-Hanging Receptacle



***Note:** See page 25 for callout dimensions

Plug



Standard Sex Connectors (Receptacles accept pin contacts, Plugs accept socket contacts)

| Arrangement | Keying | Square Flange Receptacle | | Free-Hanging Receptacle | Plug |
|-------------|--------|------------------------------------|---------------------|-------------------------|----------|
| | | With Threaded Inserts ¹ | With Mounting Holes | | |
| 11-4 | A | 208130-1 | 206061-1 | 206153-1 | 206060-1 |
| 13-9 | A | 208131-1 | 206705-1 | 206705-2 | 206708-1 |
| 17-16 | A | 206036-8 | 206036-1 | 206036-3 | 206037-1 |
| | B | — | 213862-1 | — | 213849-1 |
| 23-24 | A | 211839-1 | 206838-1 | 206838-2 | 206837-1 |
| | B | — | 213866-1 | — | 213851-1 |
| 23-37 | A | 787610-1 | 206151-1 | 206151-2 | 206150-1 |
| | B | — | 213860-1 | — | 213848-1 |

¹Four 4-40 threaded inserts per receptacle.

Reverse Sex Connectors (Receptacles accept socket contacts, Plugs accept pin contacts)

| Arrangement | Keying | Square Flange Receptacle | | Free-Hanging Receptacle | Plug |
|-------------|--------|------------------------------------|---------------------|-------------------------|----------|
| | | With Threaded Inserts ¹ | With Mounting Holes | | |
| 11-4 | A | 211102-1 | 206430-1 | 206430-2 | 206429-1 |
| 17-14 | A | 211103-1 | 206043-1 | 206043-3 | 206044-1 |
| | B | — | 796437-2 | — | 796449-1 |
| 23-37 | A | 206306-5 | 206306-1 | 206306-2 | 206305-1 |
| | B | — | 213864-1 | — | 213850-1 |

¹Four 4-40 threaded inserts per receptacle.

Key Style "A" is the Standard 5 Locating Key arrangement. Key Style "B" is the 4 Locating Key arrangement.

Note: All part numbers are RoHS Compliant.

Circular Plastic Connectors, Series 1, VDE Tested

CPC Connectors, Series 1, for Cable or Panel Mount (Accepts Type III+, High-Current Power, Type II and Subminiature Coax Contacts)



- Designed to meet requirements of VDE as shown in DIN Specification 57627
- Recognized under the Component Program of Underwriters Laboratories Inc. for 600 VAC and 600 VDC service, File No. E28476
- Certified by Canadian Standards Association, File No. LR 7189

Listed part numbers are for connectors only; **contacts must be ordered separately.**

Material

Housing—Thermoplastic, 94V-0 rated, black

Related Product Data

- Contacts**—Pages 17-23
- Contact Arrangement**—Page 24
- Component Dimensions**—Page 25*
- Accessories**—Pages 38-42, 52-54
- Performance Characteristics**—Page 6
- Application Tooling**—Pages 76-79
- Technical Documents**—Page 80

Replacement Coupling Rings

| Shell Size | Part No. |
|------------|----------|
| 13 | 213813-1 |
| 17 | 213810-1 |
| 23 | 213812-1 |

Keying

- A**—Standard Configuration: 5 Keys
- B**—Optional Configuration: 4 Keys

Square Flange Receptacle



Free-Hanging Receptacle



***Note:** See page 25 for callout dimensions

Plug



Standard Sex Connectors (Receptacles accept pin contacts, Plugs accept socket contacts)

| Arrangement | Shell Size | No. of Positions | Keying | Square Flange Receptacle | | Plug |
|-------------|------------|------------------|--------|------------------------------------|---------------------|----------|
| | | | | With Threaded Inserts ¹ | With Mounting Holes | |
| 13-7 | | | A | 211401-4 | 211401-1 | 211399-1 |
| | | | A | 211767-2 | 211767-1 | 211766-1 |
| 17-9 | | | A | 211771-2 | 211771-1 | 211770-2 |
| | | | B | — | 213870-1 | 213853-1 |
| 23-19 | | | | | | |

¹Four 4-40 threaded inserts per receptacle.

Reverse Sex Connectors (Receptacles accept socket contacts, Plugs accept pin contacts)

| Arrangement | Shell Size | No. of Positions | Keying | Square Flange Receptacle | | Free-Hanging Receptacle | Plug |
|-------------|------------|------------------|--------|------------------------------------|---------------------|-------------------------|----------|
| | | | | With Threaded Inserts ¹ | With Mounting Holes | | |
| 13-7 | | | A | 211398-4 | 211398-1 | 211398-2 | 211400-1 |
| | | | A | — | 211769-1 | 211769-3 | 211768-1 |
| 17-9 | | | B | — | 796439-2 | — | 796450-1 |
| | | | A | — | 211773-1 | — | 211772-1 |
| 23-19 | | | B | — | 213868-1 | — | 213852-1 |

¹Four 4-40 threaded inserts per receptacle.

Key Style "A" is the Standard 5 Locating Key arrangement. Key Style "B" is the 4 Locating Key arrangement.

Square Flange Receptacles, Printed Circuit Board Mount
with .025 [0.64] sq. solder tails



Material and Finish

Housing—Thermoplastic, 94V-0 rated, black

Contacts—

A—Duplex plated gold flash on entire contact with .000030 [0.00076] min. gold on contact engagement area, tin on the termination area

C—Plated tin on the entire contact, tin on the termination area

Related Product Data

Contact Arrangement—Page 24

Performance Characteristics—Page 6

Technical Documents—Page 80

Keying

Molded-in keying in two configurations:

A—Standard Configuration: 5 Keys



B—Optional Configuration: 4 Keys to prevent mismatching of standard and reverse sex.



Other Available Posted Contacts

Tyco Electronics can make available contacts with various solder tail lengths for loading into the standard or reverse sex, square flange receptacles for applications requiring custom solder tail lengths.



Standard Sex (Posted Pin Contacts)

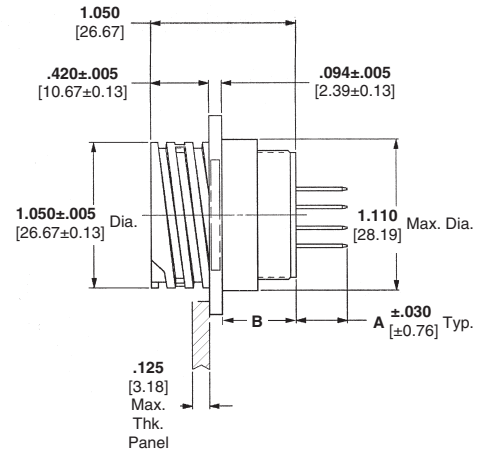
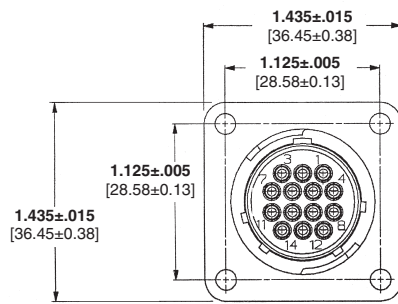
| Arrangement No. | Receptacle Assemblies | | Keying Style | Dimensions | | Contact Finish Code | Peripheral Seal |
|-----------------|-----------------------|-----------------------|---------------|---------------|---------------|---------------------|-----------------|
| | Mounting Holes | 4-40 Threaded Inserts | | A | B | | |
| 11-4 | — | 207825-9 | A | .119 3.02 | .816 20.73 | A | N |
| 13-7 | — | 1-796433-1 | A | .220 5.59 | .816 20.73 | A | N |
| 13-9 | 208223-9 | — | A | .220 5.59 | .816 20.73 | A | N |
| | — | 1-208223-0 | A | .220 5.59 | .816 20.73 | A | N |
| 17-16 | — | 1-207303-4 | A | .220 5.59 | .816 20.73 | A C | N |
| | 1-207303-3 | — | A | .220 5.59 | .816 20.73 | A | N |
| | 213855-4 | 213855-3 | B | .220 5.59 | .816 20.73 | A | N |
| 23-19 | 213782-4 | — | A | .429 10.90 | .679 17.24 | A | N |
| | 213859-2 | — | B | .618 15.70 | .674 17.12 | A | N |
| 23-24 | — | 213588-2 | A | .220 5.59 | .654 16.61 | C | N |
| | 213798-3 | — | A | .618 15.70 | .679 17.24 | A | N |
| | 213780-2 | — | A | .220 5.59 | .654 16.61 | A | N |
| | 213857-2 | — | B | .429 10.90 | .679 17.24 | A | N |
| 23-37 | 1-206934-1 | — | A | .220 5.59 | .654 16.61 | A | N |
| | 206934-5 | — | — | .119 3.02 | .654 16.61 | A | N |
| | — | 1-206934-7 | A | .119 3.02 | .654 16.61 | A | Y |
| | 208132-2 | — | A | .429 10.90 | .654 16.61 | C | N |
| | 1-206934-8 | — | A | .429 10.90 | .654 16.61 | A | N |
| 213854-3 | — | B | .618 15.70 | .654 16.61 | A | N | |
| 1-206934-9 | — | A | .618 15.70 | .654 16.61 | A | N | |

Note: Posts are .017 [0.43] offset from centerline of contacts. All posts must be oriented in the same plane for proper contact/post location.

Note: All part numbers are RoHS Compliant.

Circular Plastic Connectors, Series 1 (Continued)

Square Flange Receptacles, Printed Circuit Board Mount
with .025 [0.64] sq. solder tails



Material and Finish

Housing—Thermoplastic, 94V-0 rated, black

Contacts—

A—Duplex plated gold flash on entire contact with .000030 [0.00076] min. gold on contact engagement area, tin on the termination area

C—Plated tin on the entire contact, tin on the termination area

Related Product Data

Contact Arrangement—Page 24

Performance Characteristics—Page 6

Technical Documents—Page 80

Keying—Page 12

Reverse Sex (Posted Socket Contacts)

| Arrangement No. | Receptacle Assemblies | | Keying Style | Dimensions | | Contact Finish Code | Peripheral Seal |
|-----------------|-----------------------|-----------------------|--------------|---------------|---------------|---------------------|-----------------|
| | Mounting Holes | 4-40 Threaded Inserts | | A | B | | |
| 11-4 | 208283-4 | — | A | .159 4.04 | .536 13.61 | A | N |
| | 1-788130-1 | — | A | .704 17.88 | .541 13.74 | C | N |
| 17-9 | 1-213826-1 | — | A | .220 5.59 | .536 13.61 | C | Y |
| | 213729-9 | 213729-6 | A | .368 9.35 | .536 13.61 | A | N |
| 17-14 | 1-213825-7 | — | A | .220 5.59 | .536 13.61 | C | Y |
| | — | 213729-8 | A | .159 4.04 | .536 13.61 | C | N |
| 23-19 | 213858-3 | — | B | .645 16.38 | .394 10.00 | A | N |
| | 213781-9 | — | A | .557 14.15 | .374 9.50 | C | N |
| 23-37 | 213827-8 | — | A | .368 9.35 | .374 9.50 | C | Y |
| | 2-208224-1 | — | A | .557 14.15 | .374 9.50 | A | N |
| | 213856-4 | — | B | .645 16.38 | .394 10.00 | A | N |
| | 1-208224-2 | — | A | .368 9.35 | .374 9.50 | C | N |
| | 1-213828-6 | — | A | .368 9.35 | .374 9.50 | C | Y |
| | 207890-2 | — | A | .159 4.04 | .374 9.50 | A | N |

Note: Posts are .017 [0.43] offset from centerline of contacts. All posts must be oriented in the same plane for proper contact/post location.

Special CPC Connectors, Square Flange Receptacles, Printed Circuit Board Mount With Round Posted Contacts (Size 16), Contact Arrangement 17-16



Material and Finish

Housing—Thermoplastic, 94V-0 rated, heat-stabilized, fire-resistant, self-extinguishing, black

Contacts—Brass

Plating—

Connector Part No. 207292-1—Plated tin over .000050 [0.00127] min. nickel on entire contact

Connector Part No. 207292-2—Plated .000030 [0.00076] min. gold over .000050 [0.00127] min. nickel on entire contact

Notes: 1. Connector can be used for pressure bulkhead feed-thru (sealed) applications.

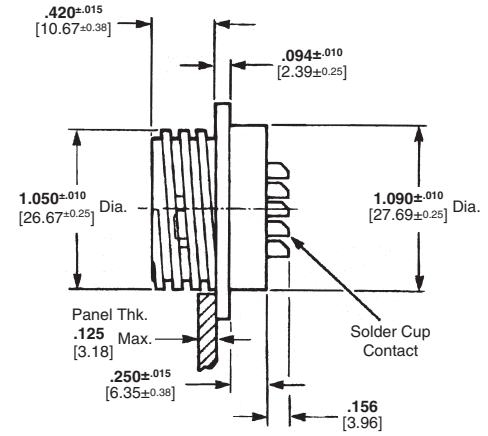
2. Receptacle is **Standard Sex**, supplied preloaded with 16 special round posted pin contacts, .030 [0.76] diameter.



Note: All part numbers are RoHS Compliant.

CPC Series 1

Special CPC Connectors, Square Flange Receptacles, With Solder Type Contacts (Size 16), Contact Arrangement 17-16



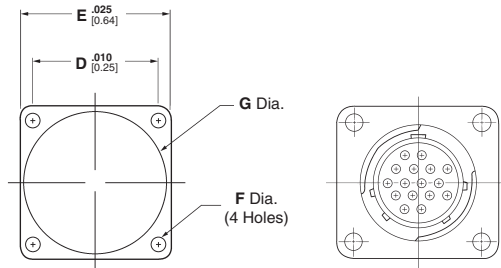
Material and Finish
Housing—Thermoplastic, 94V-0 rated, heat-stabilized, fire-resistant, self-extinguishing, black
Contacts—Brass
Plating—
Connector Part No. 206404-1—Plated .000030 [0.00076] min. gold over .000030 [0.00076] min. nickel on entire contact
Connector Part No. 206404-2—Plated tin over .000100 [0.00254] min. copper on entire contact

- Notes:** 1. Connector can be used for pressure bulkhead feed-thru (sealed) applications.
 2. Receptacle is standard sex, supplied preloaded with 16 special solder cup pin contacts.

Special CPC Connectors, Feed-Thru
 Pressure Rating up to 30 psi



Receptacle, Feed-Thru



Panel Cutout



Plug

Material and Finish
Housing—Thermoplastic, 94V-0 rated, black
Contacts—Copper alloy, gold over nickel plated

Part Numbers

| Arrangement | Standard Numbering Plug | Reverse Numbering Plug | Feed-Thru Receptacle |
|-------------|-------------------------|------------------------|----------------------|
| 11-4 | 206060-1 | 206516-1 | 206518-2 |
| 17-16 | 206037-1 | 206554-1 | 206552-1 |

Dimensions

| Arrangement | Dimensions | | | | | | | | | Thread Size |
|-------------|------------|-------|------|-------|-------|------|-------|-------|-------|-------------|
| | A | B | C | D | E | F | G | H | J | |
| 11-4 | 1.209 | .687 | .094 | .844 | 1.125 | .125 | .840 | 1.080 | .975 | 5/8-24 |
| | 30.71 | 17.45 | 2.39 | 21.44 | 28.58 | 3.18 | 21.34 | 27.43 | 24.77 | UNEF-2A |
| 17-16 | 1.209 | 1.050 | .094 | 1.125 | 1.435 | .150 | 1.210 | 1.080 | 1.349 | 15/16-20 |
| | 30.71 | 26.67 | 2.39 | 28.58 | 36.45 | 3.81 | 30.73 | 27.43 | 34.26 | UNEF-2A |

Note: Feed-Thru Receptacles are fully loaded with Size 16, feed-thru pin contacts. Order Size 16 crimp, snap-in socket contacts for plugs separately.

Note: All part numbers
are RoHS Compliant.

Circular Plastic Connectors, Series 1 (Continued)

**Square Flange Receptacles,
Right-Angle, Posted**

with **.025 [0.64] sq.** solder tails



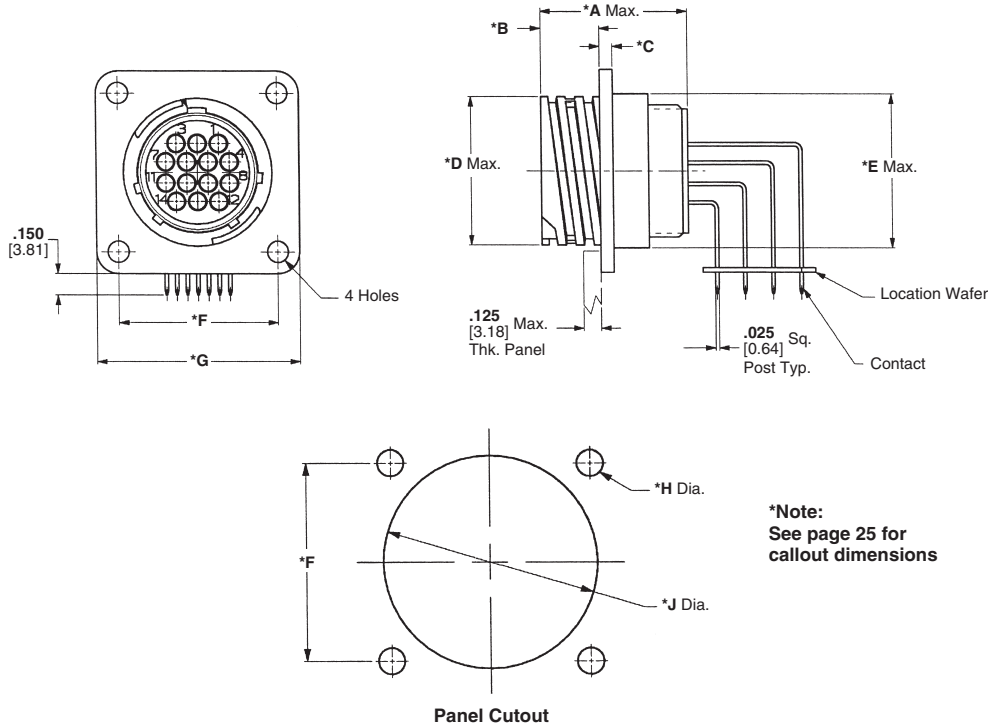
Material and Finish
Housing—Thermoplastic, 94V-0 rated, black

Location Wafer—Phenolic, black
Contact Posts—.000100 [0.00254] min. tin over .000100 [0.00254] min. copper

Contact Body—
A—.000100 [0.00254] min. tin over .000050 [0.00127] min. nickel
B—.000030 [0.000762] min. gold for a length of .200 [5.08] min. from mating end, with remainder gold flash, both over .000050 [0.00127] min. nickel

Related Product Data

- Contact Arrangements**—Page 24
- Component Dimensions**—Page 25*
- Performance Characteristics**—Page 6
- Keying**—Standard Configuration: 5 Keys
- Technical Documents**—Page 80



CPC
Series 1

Standard Sex (Posted Pin Contacts)

| Arrangement No. | Receptacle Assemblies | | Contact Body Finish Code | Mating Plug Part No. |
|-----------------|-----------------------|-----------------------|--------------------------|----------------------|
| | Mounting Holes | 4-40 Threaded Inserts | | |
| 11-4 | 1-796403-1 | 1-796403-2 | B | 206060-1 |
| 13-7 | 1-796435-1 | 1-796435-2 | B | 211399-1 |
| 13-9 | 1-796375-1 | 1-796375-2 | B | 206708-1 |
| 17-9 | 1-796497-1 | — | B | 211766-1 |
| 17-16 | 1-796404-1 | — | B | 206037-1 |
| 23-19 | 1-796405-1 | — | B | 211770-2 |
| 23-24 | 1-796387-1 | — | A | 206837-1 |
| | 1-796387-2 | — | B | |
| 23-37 | 1-796406-1 | — | B | 206150-1 |

Reverse Sex (Posted Socket Contacts)

| Arrangement No. | Receptacle Assemblies | | Contact Body Finish Code | Mating Plug Part No. |
|-----------------|-----------------------|-----------------------|--------------------------|----------------------|
| | Mounting Holes | 4-40 Threaded Inserts | | |
| 11-4 | 1-796407-1 | — | B | 206429-1 |
| 13-7 | 1-796500-1 | — | B | 211400-1 |
| 17-9 | 1-796501-1 | — | B | 211768-1 |
| 17-14 (shown) | 796348-3 | — | A | 206044-1 |
| | 796348-2 | — | B | |
| 23-19 | 1-796502-1 | — | B | 211772-1 |
| 23-37 | 1-796409-1 | — | B | 206305-1 |

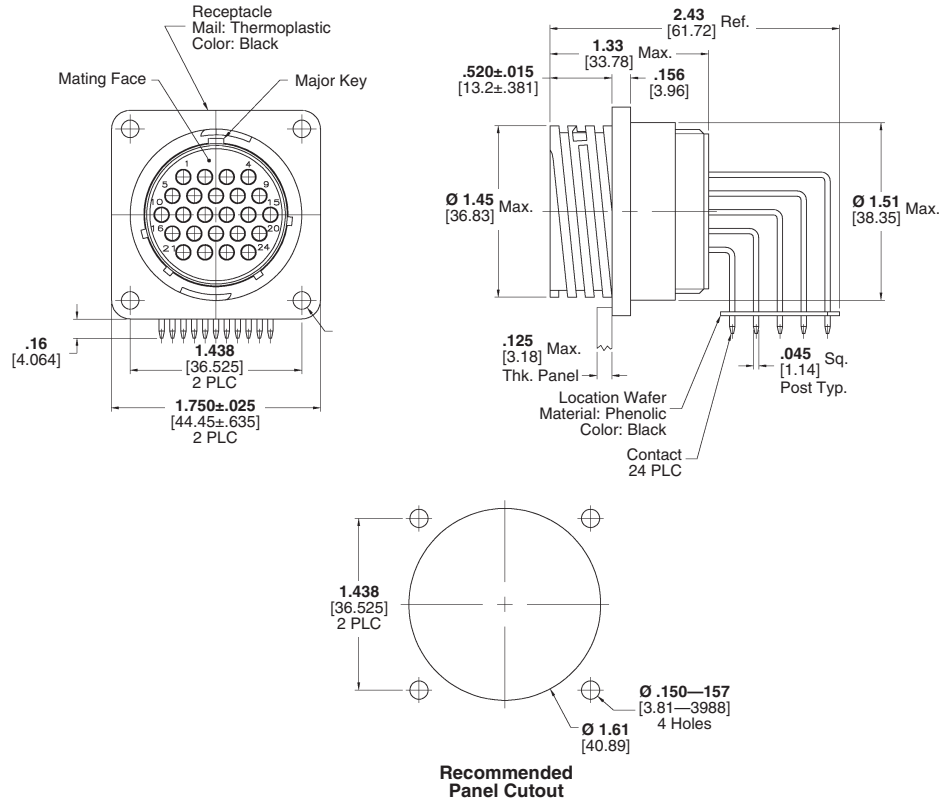
Note: All part numbers
are RoHS Compliant.

CPC
Series 1

Circular Plastic Connectors, Series 1 (Continued)

Square Flange Receptacles, Right-Angle, Posted

with .045 [1.14] sq. solder tails.
For Higher Current Applications



Material and Finish

Housing—Thermoplastic, 94V-0 rated, black

Location Wafer—Phenolic, black

Contact Posts—.000100 [0.00254] min. tin over .000100 [0.00254] min. copper

Contact Body—

A—.000100 [0.00254] min. tin over .000050 [0.00127] min. nickel

B—.000030 [0.000762] min. gold for a length of .200 [5.08] min. from mating end, with remainder gold flash, both over .000050 [0.00127] min. nickel

Technical Documents—Page 80

Standard Sex (Posted Pin Contacts)

| Arrangement No. | Receptacle Assemblies Mounting Holes | Contact Body Finish Code | Mating Plug Part No. |
|-----------------|--------------------------------------|--------------------------|----------------------|
| 13-7 | 1776903-1 | B | 211399-1 |
| 17-16 | 1776904-1 | B | 206037-1 |
| 23-24 | 1776905-1 | B | 206837-1 |
| 23-37 | 1776906-1 | B | 206150-1 |

Note: All part numbers are RoHS Compliant.

Signal Contacts

Type III+, Crimp, Snap-In



Material and Finish — See chart.

Contact Body—Brass or phosphor bronze

Retention Spring—Stainless steel

Application Tooling—Pages 76-79

Technical Documents

114-10004 Application Specification

108-10042 Product Specification

Contact Size 16—Pin Diameter .062 [1.57] (Test Current, 13 Ampere)†

†Single contact, free-air test current is not to be construed as contact rating current. Use only for testing. Refer to contact current carrying capability information on page 8.

| AWG | Wire Size Range mm ² | Ins. Dia. Range | Contact Finish | Strip Form Contact No. | | Loose Piece Contact No. | | Tooling Part No. | |
|-------|------------------------------------|-------------------------------------|-------------------------------|------------------------|-----------|-------------------------|-----------|--|---|
| | | | | Pin | Socket | Pin | Socket | Loose Piece Hand Tool | Strip Form Applicators |
| 30-28 | 0.05-0.09 | .015-.030 0.38-0.76 | Gold/Nickel ² | 788085-3 | 788088-2 | — | — | 90716-1 | 567867-1*** or 567947-1*** or 680602-□*** |
| | | | Sel. Gold/Nickel ³ | 788085-1 | 788088-1 | 788085-4 | 788088-3 | | |
| 30-26 | 0.05-0.15 | .040-.060 ¹ 1.02-1.52 | Bright Tin | 1-66425-2 | 1-66424-1 | — | — | 91515-1 ⁶ | 466598-□*** |
| | | | Gold/Nickel ² | 66425-7 | 66424-7 | 66429-3 | 66428-3 | | |
| | | | Sel. Gold/Nickel ³ | 66425-8 | 66424-8 | 66429-4 | 66428-4 | | |
| | | | Gold/Nickel ² | 66393-7 | 66394-7 | — | — | | |
| 26-24 | 0.12-0.2 | .035-.055 ¹ 0.89-1.40 | Sel. Gold/Nickel ³ | 66393-8 | 66394-8 | 66406-4 | 66405-4 | 91515-1 ⁶ | 466321-□*** or 466908-2*** |
| | | | Bright Tin | 1-66106-5 | 1-66108-5 | 1-66107-1 | 1-66109-7 | | |
| | | | Gold/Nickel ² | 66106-7 | 66108-7 | 66107-3 | 66109-3 | | |
| | | | Sel. Gold/Nickel ³ | 66106-8 | 66108-8 | 66107-4 | 66109-4 | | |
| 24-20 | 0.2-0.6 | .040-.080 ¹ 1.02-2.03 | Sel. Gold/Nickel ⁴ | — | 66108-1 | — | 66109-1 | 58495-1* | 466908-2*** |
| | | | Bright Tin | 2-66102-5 | 3-66104-0 | 1-66103-8 | 1-66105-9 | | |
| | | | Gold/Nickel ² | 66102-8 | 66104-8 | 66103-3 | 66105-3 | | |
| | | | Sel. Gold/Nickel ³ | 66102-9 | 66104-9 | 66103-4 | 66105-4 | | |
| | | | Sel. Gold/Nickel ³ | 2-66102-2 | 2-66104-3 | 1-66103-2 | 1-66105-3 | | |
| | | | Sel. Gold/Nickel ⁴ | — | 66104-1 | — | 66105-1 | | |
| | | | Bright Tin | 1-66564-2 | 1-66563-1 | 66566-7 | 66565-7 | | |
| | | | Sel. Gold/Nickel ³ | 66564-8 | 66563-8 | 66566-4 | 66565-4 | | |
| 18-16 | 0.8-1.4 | .080-.100 ¹ 2.03-2.54 | Bright Tin | 1-66332-4 | 1-66331-4 | 1-66400-0 | 1-66399-0 | 91523-1 ⁶ | 466324-□*** or 466942-1*** |
| | | | Gold/Nickel ² | 66332-7 | 66331-7 | 66400-3 | 66399-3 | | |
| | | | Sel. Gold/Nickel ³ | 66332-8 | 66331-8 | 66400-4 | 66399-4 | | |
| | | | Sel. Gold/Nickel ⁴ | — | 66331-2 | — | 66399-2 | | |
| 18-14 | 0.8-2.0 | .080-.100 ¹ 2.03-2.54 | Bright Tin | 1-66098-9 ⁵ | 1-66100-9 | 1-66099-5 | 1-66101-9 | 91505-1 ⁶ or 91523-1 ⁶ or 58495-1* | 466325-□*** or 466906-1*** |
| | | | Gold/Nickel ² | 66098-8 | 66100-8 | 66099-3 | 66101-3 | | |
| | | | Sel. Gold/Nickel ³ | 66098-9 | 66100-9 | 66099-4 | 66101-4 | | |
| | | | Sel. Gold/Nickel ⁴ | 66098-6 | — | 66099-1 | — | | |
| 18-14 | 0.8-2.0 | .110-.150 ⁵ 2.79-3.81 | Bright Tin | 1-66359-4 | 1-66358-6 | 1-66361-2 | 1-66360-2 | 91519-1 ⁶ | 466326-□*** or 466923-2*** |
| | | | Gold/Nickel ² | 66359-5 | 66358-8 | 66361-7 | 66360-7 | | |
| | | | Sel. Gold/Nickel ³ | 66359-9 | 66358-0 | 66361-4 | 66360-4 | | |
| | | | Sel. Gold/Nickel ⁴ | 1-66359-2 | 1-66358-3 | 66361-8 | 66360-8 | | |
| 18-14 | 0.8-2.0 | .110-.150 ⁵ 2.79-3.81 | Sel. Gold/Nickel ⁴ | — | 66358-1 | — | 66360-1 | 91521-1 ⁶ | 466958-1*** or 567364-□*** |
| | | | Bright Tin | 66597-8 | 1-66598-0 | 66602-8 | 66601-9 | | |
| | | | Sel. Gold/Nickel ³ | 66597-2 | 66598-2 | 66602-2 | 66601-2 | | |

¹Overall insulation crimp diameter, including crimp barrel, must not exceed .125 [3.18].
².000015 [0.00038] gold in the mating area over .000050 [0.00127] min. nickel.
³.000030 [0.00076] gold in the mating area, with gold flash on remainder, over .000050 [0.00127] min. nickel.
⁴.000030 [0.00076] gold in the mating area, with gold gradient on remainder, over .000050 [0.00127] min. nickel.

⁵Contacts can ONLY be used in: **Metrimate; CPC Series 1 (Arr. 23-24), Series 4 (Arr. 23-13M, 23-16M, 23-22M), and VDE connectors.**
⁶To use with the 626 Pneumatic Tool: remove crimping head from Straight Action Hand Tool (SAHT), order SAHT Adapter Part No. 217201-1, Adapter Holder Part No. 356304-1 (with ratchet) or 189928-1 (without), and Power Unit Part No. 189721-1 (hand actuated) or 189722-1 (foot actuated).

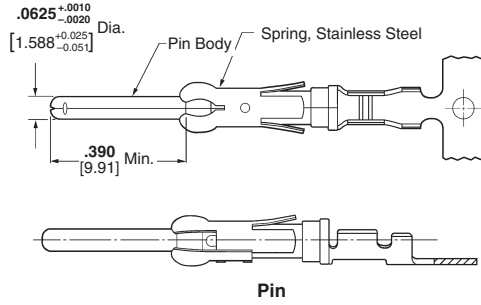
⁶Standard reeling of strip form contacts.
^{*}Commercial PRO-CRIMPER II hand tool for field repair only. **Note:** Die Set can be adapted for use with 626 Pneumatic Tool System. **Insertion Tool Part No. 91002-1** (for insulation diameters .070 [1.78] or less), **No. 200893-2** (for insulation diameters .090 [2.29] max.). **Extraction Tool Part No. 305183.** (Instruction Sheet 408-1216)
^{***}Call Technical Support for Machine Applicator Part Numbers.

Note: All part numbers are RoHS Compliant.

CPC Series 1

Signal Contacts (Continued)

Enhanced High Current Type III+, Crimp, Snap-In



Material and Finish — See chart.
Contact Body—Copper Nickel Alloy
Retention Spring—Stainless steel

Related Product Data
Application Tooling — Pages 76-79
Technical Documents
 114-10004 Application Specification
 108-10024-2 Product Specification

Contact Size 16—Pin Diameter .062 [1.57]

| Wire Size Range | | Ins. Dia. Range | Contact Finish | Strip Form Contact No. | | Loose Piece Contact No. | | Tooling Part No. | |
|-----------------|-----------------|-------------------------------------|----------------|------------------------|-----------|-------------------------|-----------|-----------------------|------------------------|
| AWG | mm ² | | | Pin | Socket | Pin | Socket | Loose Piece Hand Tool | Strip Form Applicators |
| 18-14 | 0.8-2.0 | .080-.100 ¹ 2.03-2.54 | Gold | 1-66359-6 | 1-66358-9 | 1-66361-4 | 1-66360-4 | 91519-1 ³ | 466326-□*** or |
| | | | Tin | 1-66359-9 | 2-66358-1 | 1-66361-6 | 1-66360-6 | | 466923-2*** |
| | | .110-.150 ² 2.79-3.81 | Gold | 1-66597-0 | 1-66598-1 | 66602-9 | 1-66601-0 | 91521-1 ³ | 466958-1*** or |
| | | | Tin | 1-66597-1 | 1-66598-2 | 1-66602-0 | 1-66601-2 | | 567364-□*** |

¹ Overall insulation crimp diameter, including crimp barrel, must not exceed .125 [3.18].
² Contacts can ONLY be used in CPC, Series 1 (Arr. 23-24), Series 4 (Arr. 23-13M, 23-16M, 23-22M), and VDE connectors.
³ To use with the 626 Pneumatic Tool System: remove the crimping head from the Straight Action Hand Tool (SAHT) Assembly, order SAHT Adapter **Part No. 217201-1**, Adapter Holder **Part No. 356304-1** (with ratchet) or **189928-1** (without), and Power Unit **Part No. 189721-1** (hand actuated) or **189722-1** (foot actuated).
 *** Call Technical Support for Automatic Machine Applicator Part Numbers.

Ratings

Voltage: 250 Volts AC/DC
 600 Volts AC/DC, Series I, VDE tested and select loaded only

Base Current: Type III+ contacts: 17 amperes, 30°C temperature rise with single contact on 14 AWG wire
Enhanced High Current Type III+ contacts: **25 amperes**, 30°C temperature rise with single contact on 14 AWG wire

Temperature: -55°C to +105°C

VDE 0627: XA/630/4KV/2 - Series I, VDE tested only

Multiplication Rating Factor (F)

Type III+ Contacts (Note: 1 = 17 amperes)

| Shell Size | Percent Connector Loading | | | | | |
|------------|---------------------------|--------|-----------|--------|-----------|--------|
| | Single Circuit | | ≅ 50% | | 100% | |
| | Wire Size | | Wire Size | | Wire Size | |
| | 30 AWG | 14 AWG | 30 AWG | 14 AWG | 30 AWG | 14 AWG |
| 11-4 | .291 | 1 | .212 | .905 | .140 | .684 |
| 13-9 | .278 | .995 | .175 | .750 | .134 | .567 |
| 17-16 | .270 | .990 | .146 | .625 | .127 | .472 |
| 23-24 | .281 | .985 | .138 | .550 | .120 | .416 |
| 23-37 | .275 | .985 | .131 | .497 | .114 | .376 |

Enhanced High Current Type III+ Contacts (14 AWG wire only - Note: 1 = 25 amperes)

| Shell Size | Percent Connector Loading | | |
|------------|---------------------------|--------|--------|
| | Single Circuit | ≅ 50% | 100% |
| | 14 AWG | 14 AWG | 14 AWG |
| 11-4 | .880 | .840 | .640 |
| 13-9 | .880 | .640 | .480 |
| 17-16 | .880 | .520 | .400 |
| 23-24 | .880 | .520 | .400 |
| 23-37 | .880 | .440 | .320 |

Note: All part numbers are RoHS Compliant.

Signal Contacts (Continued)

Type III+ (Precision Formed, Crimp)

Contact Size—16
Pin Diameter—.062 [1.57]

Material and Finish

Contact Body—Copper alloy, plated tin or gold

Spring—Stainless steel

Grounding Pin
(make first - break last)

Related Product Data

Performance Characteristics—Page 6

Application Tooling—Pages 76-79

Technical Documents—Page 80



| Wire Size Range | | Ins. Dia. Range ¹ | Contact Finish | Grounding Pin Part No. | | Strip Form Applicator Part No. | Loose Piece Hand Tool Part No. |
|-----------------|-------|------------------------------|-------------------------------|------------------------|-------------|----------------------------------|--|
| mm ² | AWG | | | Strip Form | Loose Piece | | |
| 0.12-0.2 | 26-24 | .035-.055 0.89-1.4 | Tin | 164159-3 | 164162-1 | — | 91515-1 ⁵ or 58495-1* |
| | | | Sel. Gold/Nickel ⁴ | 164159-4 | 164162-2 | | |
| 0.2-0.6 | 24-20 | .045-.070 1.14-1.78 | Bright Tin | 164160-3 | 164163-1 | 466323-□*** or 466907-2*** | 91515-1 ⁵ or 91505-1 ⁵ or 58495-1* |
| | | | Sel. Gold/Nickel ⁴ | 164160-4 | 164163-2 | | |
| 0.8-1.4 | 18-16 | .078-.098 1.98-2.49 | Tin | 164161-3 | 164164-1 | 466741-□*** or 680114-3*** | 91523-1 ⁵ or 91505-1 ⁵ or 58495-1* |
| | | | Sel. Gold/Nickel ⁴ | 164161-4 | 164164-2 | | |

¹Overall insulation crimp diameter, including crimp barrel, must not exceed .125 [3.18].

⁴Gold flash over .000030 [0.00076] min. nickel on entire contact, with .000030 [0.00076] gold in contact area.

⁵To use with the 626 Pneumatic Tool System: remove the crimping head from the Straight Action Hand Tool (SAHT) Assembly, order SAHT Adapter **Part No. 217201-1**, Adapter Holder **Part No. 356304-1** (with ratchet) or **189928-1** (without), and Power Unit **Part No. 189721-1** (hand actuated) or **189722-1** (foot actuated).

*Commercial PRO-CRIMPER II hand tool for field repair only. **Note:** Die Set can be adapted for use with the 626 Pneumatic Tool System.

***Call Technical Support for Automatic Machine Applicator Part Numbers.

Extraction Tool Part No. 539972-1.

High Current Power Contact—Size 16

The features of the High Current Size 16 contact have been designed to retrofit into the existing AMP Connectors such as CPC (Circular Plastic Connector), CMC (Circular Metal Connector), G Series, M Series, Metrimate Square Grid and Drawer Connector housings. An initial T-Rise test in free air has shown a 23 amp capability with a 30° T-Rise. The contact may be crimped onto 14 AWG wire with an AMP hand tool **Part No. 601967-1**. Use turret TH502 **(1-601967-6)** for the pin and turret TH501 **(1-601967-5)** for the socket.

Material

Body—Copper alloy
Louvertac Band—Beryllium copper
Retention Spring—Stainless steel

Finish

Body—Silver
Louvertac Band—Gold



| Wire Range | | Contact Part Nos. | | | | Crimping Tool | | |
|-----------------|-------|-------------------|--------------|-------------|--------------|---------------|------------|-------------|
| | | Pin | | Socket | | Tool | Turret | |
| mm ² | AWG | Loose Piece | Tape Mounted | Loose Piece | Tape Mounted | | for Pins | for Sockets |
| 0.8-1.4 | 18-16 | 796964-1 | 796964-2 | 796966-1 | 796966-2 | 601967-1 | 1-601967-5 | 1-601967-5 |
| 2 | 14 | 193844-1 | 193844-2 | 193846-1 | 193846-2 | 601967-1 | 1-601967-6 | 1-601967-5 |

Extraction Tool Part No. 305183

Signal Contacts (Continued)

Type III+ (Precision Formed, Solder)

Contact Size—16
Pin Diameter—.062 [1.57]

Material and Finish
Contact Body—Copper alloy, plated tin or gold
Spring—Stainless steel

Related Product Data
Performance Characteristics—Page 6
Technical Documents—Page 80

Solder-Type
 (with Preformed Wire Barrel/Insulation Support)



Pin Socket

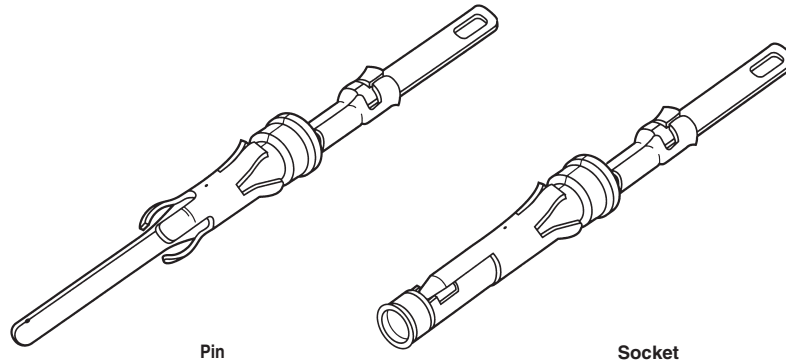
Solder-Type



Pin Socket

Solder-Tab

Solder-Tab



Pin Socket

Contact Size 16—Pin Diameter .062 [1.57] (Test Current, 13 Ampere)‡

| Wire Size Range | | Contact Finish | Loose Piece Contact No. | |
|-------------------------|-----------------|--------------------------|-------------------------|----------|
| AWG | mm ² | | Pin | Socket |
| 26-20 | 0.12-0.6 | Gold/Nickel ¹ | 66182-1 | 66183-1 |
| 18-16 | 0.8-1.4 | Gold/Nickel ¹ | 66180-1 | 66181-1 |
| Solder Tab ⁴ | | Duplex ² | 202236-7 | 202237-7 |
| | | Bright Tin | 202236-5 | 202237-5 |

¹.000030 [0.00076] gold in mating area over .000030 [0.00076] min. nickel.
²Duplex plated .000030 [0.00076] gold in mating area over .000030 [0.00076] min. nickel on contact body; bright tin on solder tab.
³Bright tin on entire contact.
⁴Designed for up to 14 AWG; but, not to exceed current limitation of contact.
Note: These contacts can be used in Multimatch contact cavities of all connector housings.
 ‡Single contact, free-air test current is not to be construed as contact rating current. Use only for testing.
 Refer to contact current carrying capability information on page 8.
Extraction Tool Part No. 305183

Note: All part numbers are RoHS Compliant.

Signal Contacts (Continued)

Type II, Screw Machined, Crimp

Material

Contact Body—Brass

Retention Spring—Stainless steel

Finish

Contact Body—.000030 [0.00076] gold over .000050 [0.00127] nickel. Gold thickness controlled on socket O.D.

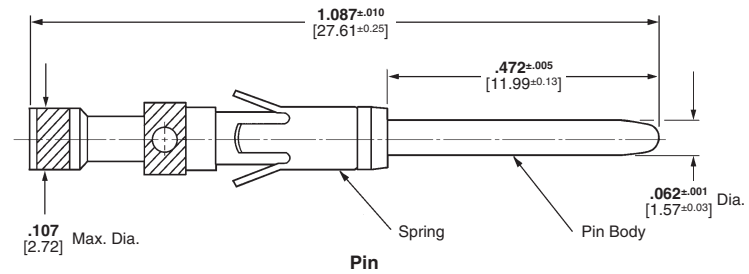
Retention Spring—Stainless steel

Related Product Data

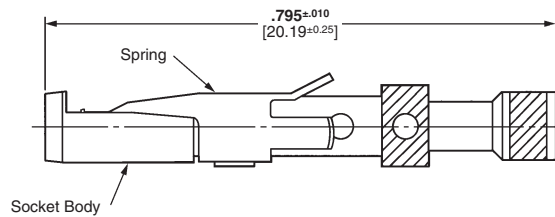
Application Tooling—Pages 76-79



Pin



Socket



Socket

Contact Size 16—Pin Diameter .062 [1.57] (Test Current, 13 Ampere)†

| Wire Size Range | | Ins. Dia. Range ¹ | Tape Mounted Contact No. ² | | Loose Piece Contact No. | | Contact Color Code | Tooling Part No. | | |
|-----------------|------------------|------------------------------|---------------------------------------|----------|---------------------------|-----------------------|--------------------|--|---|---|
| | | | Pin | Socket | Pin | Socket | | Tape Mounted Dies for AMP-TAPETRONIC Machine 69875 | Loose Piece Die Set for 626 Pneumatic Tool System | Hand Tool |
| 28-24 | 0.08-0.20 | .035-.055 0.89-1.40 | 201611-4 | — | 201611-1 ⁴ | 201613-1 ⁵ | Red/Red | — | 90230-1 ⁷ | 91538-1 or 601967-1 |
| | | .048-.065 1.22-1.65 | — | — | 201334-1 ⁴ | 201332-1 ⁵ | Red/Red | 90249-2 | — | — |
| | | .095-.110 2.41-2.79 | — | — | 202410-1 ⁴ | 202411-1 ⁵ | Green | — | — | 601967-1 |
| 24-20 | 0.2-0.6 | .040-.062 1.02-1.57 | 201578-4 | — | 201578-1 ⁴ | 201580-1 ⁵ | Yellow/Red | — | 90230-1 ⁷ | 91538-1 or 58541-1* [†] |
| | | .055-.088 1.40-2.16 | 201330-6 | 201328-9 | 201330-1 ⁴ | 201328-1 ⁵ | Yellow/Red | 90249-2 | 90230-1 ⁷ | or 601967-1 |
| 18 (Two) | 0.9-0.9 (Two) | No. Ins. Support | — | — | 202725-1 ⁴ | 202726-1 ⁴ | Blue | — | 90231-2 ⁷ | 91539-1 or 601967-1 |
| 18-16 | 0.8-1.4 | .080-.105 2.03-2.67 | — | — | 202507-1 ⁴ | 202508-1 ⁵ | — | — | — | 90136-1 or 601967-1 |
| | | No Ins. Support | 200336-6 | 200333-8 | 200336-1 ⁴ | 200333-1 ⁴ | Blue/Blue | 90250-1 | 90231-2 ⁷ | 91539-1 58541-1* [†] or 601967-1 |
| 14 | 2 | No Ins. Support | 212618-2 ³ | 201568-3 | 201570-1 ⁴ | 201568-1 ⁵ | Violet/Blue | 90250-1 | 90231-2 ⁷ | 91539-1 58541-1* [†] or 601967-1 |
| | | | 201570-2 | — | 212618-1 ^{3,6,†} | — | — | — | — | — |

¹Overall insulation crimp diameter, including crimp barrel, must not exceed .125 [3.18].

²For AMP-TAPETRONIC Machine No. 69875, order contacts by Tape Mounted Contact No., plus packaging code "IM REEL" (5000 parts per reel).

³Grounding pin is used to provide a make-first/break-last condition when mating and unmating connector halves.

⁴Use turret TH502 (1-601967-6) with hand tool 601967-1.

⁵Use turret TH501 (1-601967-5) with hand tool 601967-1.

⁶Pin length is .630±.005 [16.002±.127] on these two pins.

⁷Die Set requires "C" Head Adapter Part No. 318161-1; Adapter Holder Part No. 356304-1 (with ratchet) or 189928-1 (without); and Power Unit Part No. 189721-2 (hand actuated) or 189722-2 (foot actuated).

*Commercial PRO-CRIMPER II Hand Tool for field repair use only. **Note:** Die Set can be adapted for use with the 626 Pneumatic Tool System.

†Does not use Hand Tool 91539-1 or 601967-1.

‡Single contact, free-air test current is not to be construed as contact rating current. Use only for testing. Refer to contact current carrying capability information on page 8.

Insertion Tool Part No. 200893-2 (for insulation diameters .070 [1.78] or less).

Extraction Tool Part No. 305183.

Note: All part numbers are RoHS Compliant.

Coaxial Contacts

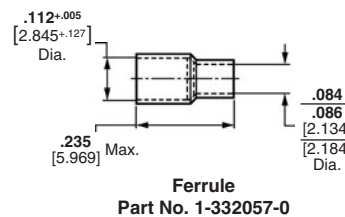
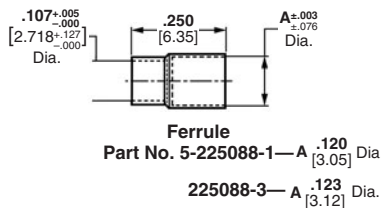
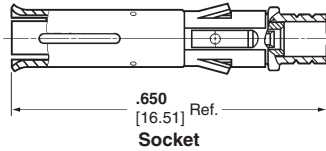
Subminiature Coax, Size 16 Precision Formed, Crimp



Pin



Socket



Material

- Outer Shell**—Brass per MIL-C-50
- Center Conductor**—Beryllium copper per QQ-C-533 (Pin); Brass per QQ-B-626 (Socket)
- Inner Dielectric**—Polypropylene
- Retention Spring**—Stainless steel per QQ-S-766
- Ferrule**—Copper per QQ-C-576

Finish

- Outer Shell, Center Conductor**—See charts
- Ferrule†**—Bright tin per MIL-T-10727

Related Product Data

Application Tooling—Pages 76-79

Selection Chart for Coaxial Cable

| Cable Size (RG/U) | Contact Finish | Loose Piece Contact No. | | Ferrule Part No. | Tooling Part No. | |
|--------------------|--------------------------------------|-------------------------|---------|------------------|---|-----------------------|
| | | Pin | Socket | | Die Sets for Hand Tool 69710-1 or 626 Pneumatic Tool System | Hand Tool or Die Set* |
| 178, 196 | Gold/Nickel Gold/Copper ¹ | 226537-2 | 51565-2 | 1-332057-0† | 69690-2 ⁷ | 69656-2 |
| | Gold/Nickel Gold/Copper ² | — | 51565-5 | | | |
| 196 (Double Braid) | Gold/Nickel Gold/Copper ¹ | 226537-2 | 51565-2 | 5-225088-1† | — | 69656-9 |
| | Gold/Nickel Gold/Copper ² | — | 51565-5 | | | |
| 174, 188, 316 | Gold/Nickel Gold/Copper ¹ | 226537-1 | 51565-1 | 1-332056-0 | 69690 ⁷ | 91911-3* |
| | Gold/Nickel Gold/Copper ² | 226537-4 | 51565-4 | | | |
| 174 (Double Braid) | Gold/Nickel Gold/Copper ¹ | 226537-1 | 51565-1 | 5-225088-3 | — | 69656-7 |
| | Gold/Nickel Gold/Copper ² | 226537-4 | 51565-4 | | | |
| 179, 187 | Gold/Nickel Gold/Copper ¹ | 226537-1 | 51565-1 | 1-332056-0 | 69690-1 ⁷ | 91911-4* |
| | Gold/Nickel Gold/Copper ² | 226537-4 | 51565-4 | | | |
| 187 (Double Braid) | Gold/Nickel Gold/Copper ¹ | 226537-1 | 51565-1 | 5-225088-1† | — | 69656-8 |
| | Gold/Nickel Gold/Copper ² | 226537-4 | 51565-4 | | | |
| 161 | Gold/Nickel Gold/Copper ¹ | 226537-1 | 51565-1 | 1-332056-0 | — | — |
| | Gold/Nickel Gold/Copper ² | 226537-4 | 51565-4 | | | |

¹.000030 [0.00076] gold over .000050 [0.00127] nickel—outer shell and socket center conductor; .000030 [0.00076] gold over .000100 [0.00254] copper—pin center conductor.

².000050 [0.00127] gold over .000050 [0.00127] nickel—outer shell and socket center conductor; .000050 [0.00127] gold over .000100 [0.00254] copper—pin center conductor.

⁷Die Set requires “C” Head Adapter **Part No. 318161-1**; Adapter Holder **Part No. 356304-1** (with ratchet) or **189928-1** (without); and Power Unit **Part No. 189721-2** (hand actuated) or **189722-2** (foot actuated).

†Does not use Hand Tool 91539-1 or 601967-1.

*Used with PRO-CRIMPER II Hand Tool Frame **Part No. 354940-1**.

Extraction Tool Part No. 305183

Coaxial Contacts (Continued)

Subminiature Coax, Size 16 Precision Formed, Crimp

(Continued)

Finish

Ferrule[†]—Bright tin per
MIL-T-10727

Related Product Data

Application Tooling—Pages 76-79

Selection Chart for Twisted Pair and Shielded Wire

| Wire Size | | Contact Finish | Loose Piece Contact No. | | Ferrule Part No. | Tooling Part No. | |
|-----------|--|--------------------------|-------------------------|---------|-------------------------|---|---------------------------|
| AWG | mm ² | | Pin | Socket | | Die Sets for Hand Tool 69710-1 or 626 Pneumatic Tool System | Hand Tool or Die Set* |
| 30 | 0.05 (Twisted Pair, Solid) | Gold/Nickel | 226537-3 | 51565-3 | 1-332057-0 [†] | 69690-2 ⁷ | 69656-2 |
| | | Gold/Copper ¹ | 226537-6 | 51565-6 | | | |
| 28 | 0.08-0.09 (Twisted Pair, Solid) | Gold/Nickel | 226537-3 | 51565-3 | 1-332057-0 [†] | 69690 ⁷ | 91911-3* |
| | | Gold/Copper ¹ | 226537-6 | 51565-6 | | | |
| 28 | 0.08-0.09 (Twisted Pair, Stranded 7 Str., .0050 [0.13] Dia.) | Gold/Nickel | 226537-3 | 51565-3 | 1-332057-0 [†] | 69690-1 ⁷ or 69690-2 ⁷ | 91911-4* or 69656-2 |
| | | Gold/Copper ¹ | 226537-6 | 51565-6 | | | |
| 26 | 0.12-0.15 (Twisted Pair, Solid or Stranded 7 Str., .0063 [0.16] Dia.) | Gold/Nickel | 226537-3 | 51565-3 | 1-332057-0 [†] | 69690 ⁷ | 91911-3* |
| | | Gold/Copper ¹ | 226537-6 | 51565-6 | | | |
| 26 | 0.12-0.15 (Shielded, .075 [1.91] Max. O.D.) | Gold/Nickel | 226537-1 | 51565-1 | 1-332057-0 [†] | 69690-3 ⁷ | 69656-3 |
| | | Gold/Copper ¹ | 226537-4 | 51565-4 | | | |

¹.000030 [0.00076] gold over .000050 [0.00127] nickel—outer shell and socket center conductor; .000030 [0.00076] gold over .000100 [0.00254] copper—pin center conductor.

².000050 [0.00127] gold over .000050 [0.00127] nickel—outer shell and socket center conductor; .000050 [0.00127] gold over .000100 [0.00254] copper—pin center conductor.

⁷Die Set requires "C" Head Adapter **Part No. 318161-1**; Adapter Holder **Part No. 356304-1** (with ratchet) or **189928-1** (without); and Power Unit **Part No. 189721-2** (hand actuated) or **189722-2** (foot actuated).

*Used with PRO-CRIMPER II Hand Tool Frame **Part No. 354940-1**.

Note: A ferrule is required for each pin and socket.

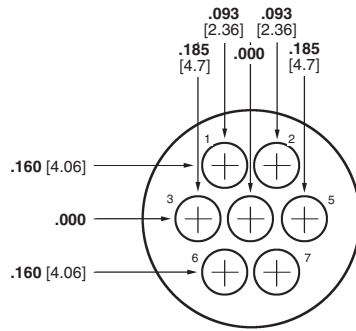
Extraction Tool Part No. 305183.

Contact Arrangements, Series 1

Shell Sizes 11 and 13



Arrangement 11-4
Max. Wire Ins. Dia. = .100 [2.54]

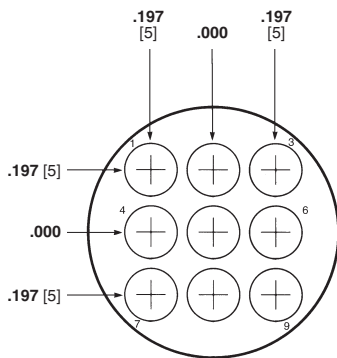


Arrangement 13-7
Max. Wire Ins. Dia. = .100 [2.54]



Arrangement 13-9
Max. Wire Ins. Dia. = .100 [2.54]

Shell Size 17



Arrangement 17-9
Max. Wire Ins. Dia. = .150 [3.81]

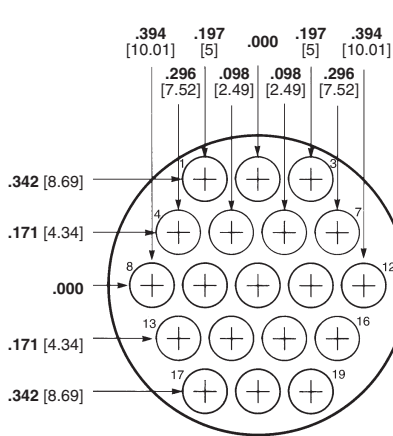


Arrangement 17-14
Max. Wire Ins. Dia. = .100 [2.54]

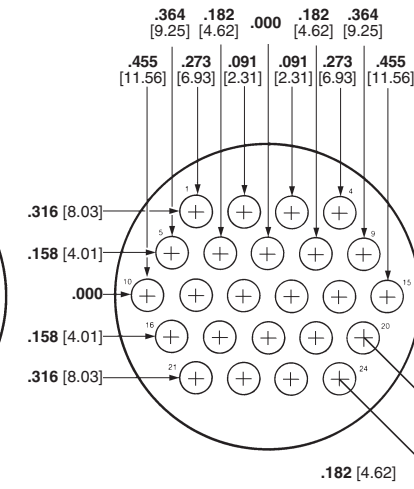


Arrangement 17-16
Max. Wire Ins. Dia. = .100 [2.54]

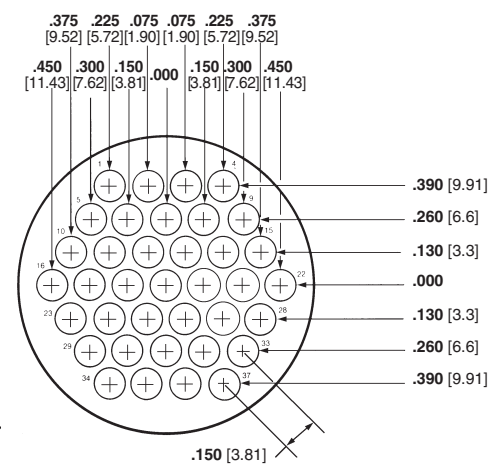
Shell Size 23



Arrangement 23-19
Max. Wire Ins. Dia. = .150 [3.81]



Arrangement 23-24
Max. Wire Ins. Dia. = .150 [3.81]



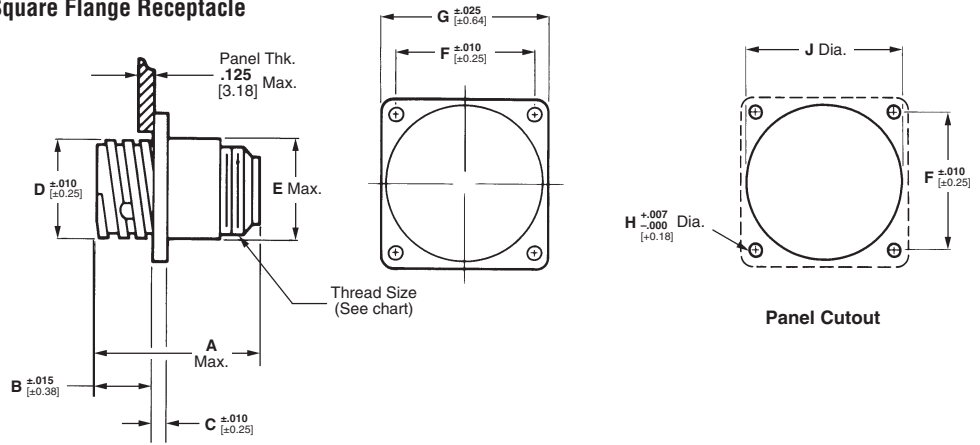
Arrangement 23-37
Max. Wire Ins. Dia. = .100 [2.54]

Note: Contact arrangements shown are for pin mating face (plug or receptacle). Socket mating face is mirror image.

Note: All part numbers
are RoHS Compliant.

Component Dimensions, Series 1

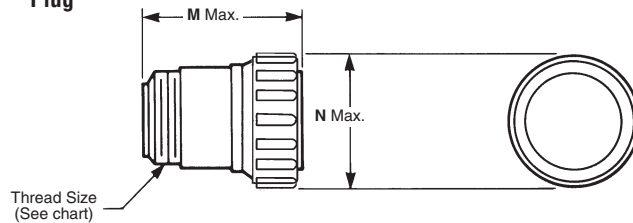
Square Flange Receptacle



Free-Hanging Receptacle



Plug



CPC
Series 1

| Shell Size | Sex | Dimensions | | | | | | | | | | | | | Thread Size |
|------------|------|----------------|-------|------|-------|-------|-------|-------|------|-------|-------|-------|----------------|-------|---------------------|
| | | A | B | C | D | E | F | G | H | J | K | L | M | N | |
| 11 | Rev. | 1.070 27.18 | .420 | .094 | .687 | .740 | .844 | 1.125 | .125 | .840 | .817 | .935 | 1.365 34.67 | .975 | 5/8-24 UNEF-2A |
| | Std. | 1.350 34.29 | 10.67 | 2.39 | 17.45 | 18.8 | 21.44 | 28.58 | 3.18 | 21.34 | 20.75 | 23.75 | 1.080 27.43 | 24.77 | |
| 13 | Std. | 1.350 34.29 | .420 | .094 | .812 | .879 | .969 | 1.281 | .125 | .979 | .874 | 1.072 | 1.080 27.43 | 1.105 | 3/4-20 UNEF-2A |
| 17 | Rev. | 1.070 27.18 | .420 | .094 | 1.050 | 1.110 | 1.125 | 1.435 | .150 | 1.210 | 1.161 | 1.310 | 1.365 34.67 | 1.349 | 15/16-20 UNEF-2A |
| | Std. | 1.350 34.29 | 10.67 | 2.39 | 26.67 | 28.19 | 28.58 | 36.45 | 3.81 | 30.73 | 29.49 | 33.27 | 1.080 27.43 | 34.26 | |
| 23 | Rev. | 1.070 27.18 | .520 | .156 | 1.438 | 1.510 | 1.438 | 1.750 | .150 | 1.610 | 1.505 | 1.733 | 1.365 34.67 | 1.788 | 1-3/8-18 UNEF-2A |
| | Std. | 1.350 34.29 | 13.21 | 3.96 | 36.53 | 38.35 | 36.53 | 44.45 | 3.81 | 40.89 | 38.23 | 44.02 | 1.080 27.43 | 45.42 | |

Note: All part numbers are RoHS Compliant.

Circular Plastic Connectors, Series 2

CPC Connectors, Series 2 for Cable or Panel Mount
(Accepts Size 20 DM or DF Crimp, Snap-In Contacts)



Listed part numbers are for connectors only; **contacts must be ordered separately.**

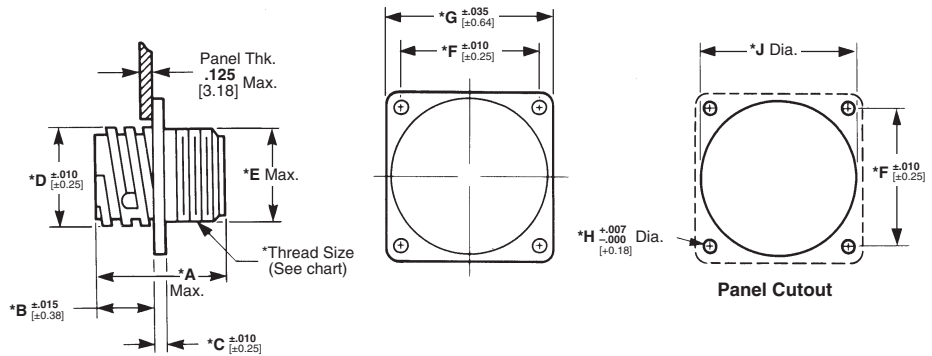
Material

Housing—Thermoplastic, 94V-0 rated, black

Related Product Data

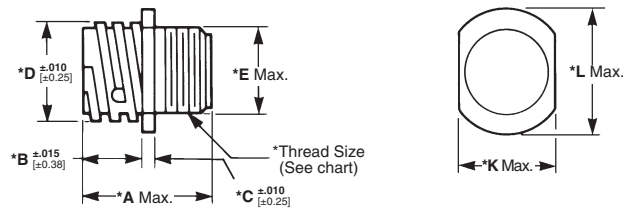
- Contacts**—Pages 29-30
- Contact Arrangement**—Page 31
- Component Dimensions**—Page 32*
- Accessories**—Pages 38-42
- Performance Characteristics**—Page 6
- Application Tooling**—Pages 76-79
- Technical Documents**—Page 80

Square Flange Receptacle



***Note:** See page 32 for callout dimensions

Free-Hanging Receptacle



Plug



Standard Sex Connectors

(Receptacles accept Size 20 DM or DF pin contacts, Plugs accept Size 20 DM or DF socket contacts)

| Arrangement | Square Flange Receptacle | | Free-Hanging Receptacle | Plug |
|-------------|--------------------------|------------------------------------|-------------------------|----------|
| | With Mounting Holes | With Threaded Inserts ¹ | | |
| 11-8 | 205841-1 | 205841-3 | 205841-2 | 205838-1 |
| 11-9 | 206486-1 | 206852-8 | 206486-2 | 206485-1 |
| 17-28 | 205840-3 | 205840-4 | 206152-1 | 205839-3 |
| 23-63 | 205843-1 | — | 205843-2 | 205842-1 |

¹Four 4-40 threaded inserts per receptacle.

Reverse Sex Connectors

(Receptacles accept Size 20 DM or DF socket contacts, Plugs accept Size 20 DM or DF pin contacts)

| Arrangement | Square Flange Receptacle | | Free-Hanging Receptacle | Plug |
|-------------|--------------------------|------------------------------------|-------------------------|----------|
| | With Mounting Holes | With Threaded Inserts ¹ | | |
| 11-8 | 206433-1 | 206433-3 | 206433-2 | 206434-1 |
| 17-28 | 206038-1 | 206038-4 | 206038-2 | 206039-1 |
| 23-57 | 206438-1 | — | 206438-2 | 206437-1 |

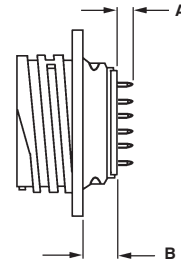
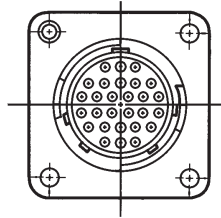
¹Four 4-40 threaded inserts per receptacle.

Note: For Standard and Reverse Sex Connectors the maximum wire insulation diameter is .068 [1.73].

CPC Series 2

Circular Plastic Connectors, Series 2 (Continued)

**Receptacles, Printed
Circuit Board Mount**
with .025 [0.64] sq. solder tails



Material and Finish

Housing—Thermoplastic, 94V-0 rated, black

Contacts—

A—Duplex plated gold flash on entire contact with .000030 [0.00076] min. gold on contact engagement area, tin on the termination area, all over .000050 [0.00127] min. nickel under-plating

B—Plated gold flash on the entire contact, tin on the termination area

Related Product Data

Contact Arrangement—Page 31

Performance Characteristics—Page 6

Technical Documents—Page 80

Accessories—Pages 38-42

Standard Sex (Posted Pin Contacts)

| Arrangement | | Receptacle Assemblies | | Dimensions | | Contact Finish Code |
|-------------|------------------|-----------------------|------------------------------------|---------------|--------------|---------------------|
| Shell Size | No. of Positions | Mounting Holes | 4-40 Threaded Inserts ¹ | A | B | |
| 11-9 | | 1-206852-2 | — | .125 3.18 | .230 5.84 | A |
| | | 1-206852-1 | — | .352 8.94 | .230 5.84 | A |
| 17-28 | | 1-207369-1 | — | .125 3.18 | .230 5.84 | A |
| | | 1-207369-3 | — | .352 8.94 | .230 5.84 | A |
| 23-63 | | 1-206455-2 | — | .227 5.77 | .338 8.59 | A |
| | | 1-206455-1 | — | .449 11.40 | .338 8.59 | A |

¹Four 4-40 threaded inserts per receptacle.

Reverse Sex (Posted Socket Contacts)

| Arrangement | | Receptacle Assemblies | | Dimensions | | Contact Finish Code |
|-------------|------------------|-----------------------|------------------------------------|---------------|--------------|---------------------|
| Shell Size | No. of Positions | Mounting Holes | 4-40 Threaded Inserts ¹ | A | B | |
| 11-8 | | 1-208657-1 | — | .352 8.94 | .285 7.24 | A |
| | | — | 1-208657-0 | .574 14.58 | .230 7.24 | A |
| 17-28 | | 1-207216-6 | — | .125 3.18 | .230 5.84 | B |
| | | 1-207216-7 | — | .352 8.94 | .230 5.84 | A |
| 23-57 | | 1-796329-1 | — | .232 5.89 | .333 8.46 | A |

¹Four 4-40 threaded inserts per receptacle.

**Other Available
Posted Contacts**

Tyco Electronics can make available contacts with various solder tail lengths for loading into the standard or reverse sex, square flange receptacles for applications requiring custom solder tail lengths.



Note: All part numbers are RoHS Compliant.

Circular Plastic Connectors, Series 2 (Continued)

Special CPC Connectors, Series 2

(Pressure rated up to 30 psi)



Listed plug connector part numbers are for connectors only; **contacts must be ordered separately.**

Material

Housing—Thermoplastic, 94V-0 rated, black

Feed-Thru Contacts—Copper alloy, plated gold over nickel

Related Product Data

Socket Contacts (for Plugs)—Pages 29-30

Contact Arrangement—Page 31

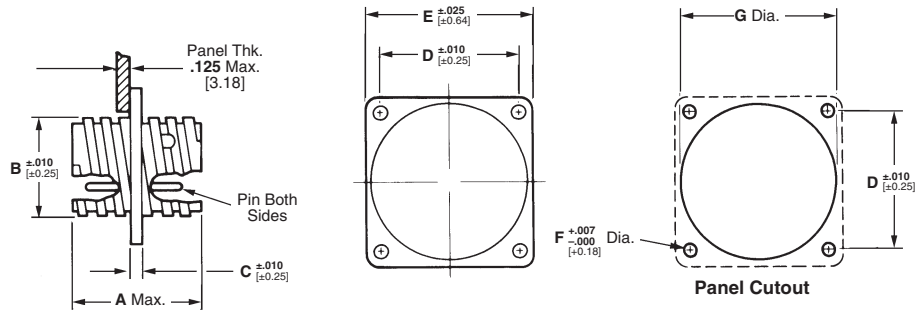
Performance Characteristics—Page 6

Accessories—Pages 38-42

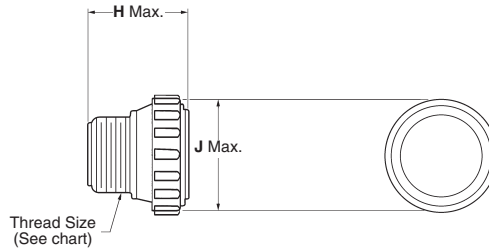
Technical Documents—Page 80

Square Flange Feed-Thru Receptacles

(with Permanently Sealed .040 [1.02] Dia. Solid Pins)



Plug



| Arrangement No. | Dimensions | | | | | | | | | Thread Size |
|-----------------|----------------|----------------|--------------|----------------|----------------|--------------|----------------|---------------|----------------|---------------------|
| | A | B | C | D | E | F | G | H | J | |
| 11-8 | 1.035 26.29 | .688 17.48 | .188 4.78 | .844 21.44 | 1.125 28.58 | .125 3.18 | .840 21.34 | .800 20.32 | .975 24.77 | 5/8-24 UNEF-2A |
| 17-28 | 1.040 26.42 | 1.050 26.67 | .188 4.78 | 1.125 28.58 | 1.435 36.45 | .150 3.81 | 1.210 30.73 | .800 20.32 | 1.349 34.26 | 15/16-20 UNEF-2A |

Part Numbers

| Arrangement No. | Standard Numbering Plug | Reverse Numbering Plug | Square Flange Feed-Thru Receptacle |
|-----------------|-------------------------|------------------------|------------------------------------|
| 11-8 | 205838-1 | 206460-1 | 206458-1 |
| 17-28 | 206125-1 | 206126-1 | 206127-1 |

Note: One plug must have standard numbering of cavities, and the other plug must have reverse numbering of cavities.

CPC Series 2

Note: All part numbers are RoHS Compliant.

Signal Contacts

Size 20 DF, Precision Formed, Crimp Contacts

Contact Size—20

Pin Diameter—.040 [1.02]

***Test Current**—7.5 ampere
(Single contact, free-air test current; not to be construed as contact rating current. Use only for testing.)

***Note:** Total current capacity of each contact in any given connector is dependent on the heat rise resulting from the combination of electrical loads of all contacts in the connector arrangement and the maximum ambient temperature in which the connector will be operating. **See page 8.**



Material

Pin Body—Brass

Socket—Phosphor bronze

Contact Finish

A—Select gold flash over nickel on entire contact, with additional .000030 [0.00076] gold on mating end

B—Duplex plated .000030 [0.00076] gold on mating end, tin on termination end, with entire contact nickel underplated

C—Gold flash over nickel on entire contact

D—Duplex plated gold flash on mating end, tin on termination end, with entire contact nickel underplated

Related Product Data

Application Tooling—Pages 76-79

Technical Documents—Page 80

Product Specification—108-40005

Insertion/Extraction Tool

Part No. 91285-1

Instruction Sheet—408-9404

This tool includes interchangeable tips to Insert/Extract:

Size 22, 28-22 AWG

[0.08-0.03 mm²] Crimp Contacts

Size 20, 28-20 AWG [0.08-0.6 mm²]

Crimp and Solder Cup Contacts

Size 20, Posted Contacts

With Insulation Support



| Wire Size Range | Ins. Dia. Max. | Contact Code Finish | Contact Part Nos. | | | | Tooling | | Color Code (Loose Piece) |
|---------------------------------------|----------------|---------------------|-------------------|-------------|-------------|-------------|---|----------------------|--------------------------|
| | | | Pin | | Socket | | Strip Form Applicator†† | Hand Tool | |
| | | | Strip Form | Loose Piece | Strip Form | Loose Piece | | | |
| 28-24 AWG [0.08-0.2 mm ²] | .040 1.02 | A | 66507-3 | 66507-9 | 66505-3 | 66505-9 | 466423-□†† or 466901-1†† or 1016015-1†† | 91503-1 ⁵ | Blue Dot |
| | | B | 1658540-4 | 1658540-5 | 1658538-2 | — | | | |
| | | C | 66507-4 | 1-66507-0 | 66505-4 | 1-66505-0 | | | |
| | | D | 1658540-1 | 1658540-2 | 1658538-3 | 5-66505-9 | | | |
| 26-22 AWG [0.12-0.4 mm ²] | .060 1.52 | A | 66682-2 | 66682-4 | 66683-2 | 66683-4 | 466758-2†† or 466963-1†† or 567804-1†† | 91549-1 ⁵ | Black Dot |
| | | B | 5066682-9 | — | 1-5066683-0 | — | | | |
| | | D | 5066682-6 | — | 5066683-7 | — | | | |
| | | A | 745254-2 | 745254-6 | 745253-2 | 745253-6 | | | |
| 24-20 AWG [0.2-0.6 mm ²] | .060 1.52 | B | 1658544-2 | 1658544-1 | 1658543-2 | 1658543-1 | 466968-1†† or 567036-□†† or 567849-1†† | 91525-1 ⁵ | Yellow Dot |
| | | C | 745254-3 | 745254-7 | 745253-3 | 745253-7 | | | |
| | | D | 1658544-3 | 1-745254-6 | 1658543-3 | 1-745253-6 | | | |
| | | A | 66506-3 | 66506-9 | 66504-3 | 66504-9 | | | |
| 24-20 AWG [0.2-0.6 mm ²] | .060 1.52 | B | 1658539-1 | 1658539-3 | 1658537-3 | 1658537-4 | 466422-□†† or 466900-1†† or 567801-1†† or 1016002-1†† | 91503-1 ⁵ | Red Dot |
| | | C | 66506-4 | 1-66506-0 | 66504-4 | 1-66504-0 | | | |
| | | D | 1658539-2 | 1658539-4 | 1658537-1 | 1658537-2 | | | |

⁵To use with the 626 Pneumatic Tool System: remove the crimping head from the Straight Action Hand Tool (SAHT) Assembly, order SAHT Adapter **Part No. 217201-1**, Adapter Holder **Part No. 356304-1** (with ratchet) or **189928-1** (without), and Power Unit **Part No. 189721-1** (hand actuated) or **189722-1** (foot actuated).

††For complete information on AMP Strip Form Applicators for fully automatic and semiautomatic machines, contact Technical Support.

Note: Commercial PRO-CRIMPER III Maintenance and Repair Hand Tool for Wire Size 28-24 AWG [0.08-0.2 mm²] (Ins. Dia. Max. .040 [1.02]), and Wire Size 24-20 AWG [0.2-0.6 mm²] (Ins. Dia. Max. .060 [1.52])—**Part No. 58448-2.**

Note: Die Set **Part No. 58448-3** can be adapted for use with the 626 Pneumatic Tool System.

Note: All part numbers are RoHS Compliant.

Signal Contacts (Continued)

Size 20 DM, Screw-Machined, Crimp Contacts

Pin Diameter—.040 [1.02]

Test Current*—7.5 amperes (Single contact, free-air test current; not to be construed as contact rating current. Use only for testing.)



Pin
M39029/64-369
(Supersedes M24308/11-1)



Socket
M39029/63-368
(Supersedes M24308/10-1)

Material and Finish

Pin Body—Copper alloy per QQ-B-626

Socket Body—Beryllium copper per QQ-C-530

Socket Sleeve—Passivated stainless steel per QQ-S-766

Plating pin and socket body—.000050-.000100 [0.00127-0.00254] min. gold over .000100-.000150 [0.00254-0.00381] min. copper

Gold plating per MIL-G-45204
Copper plating per MIL-C-14550

Type 20 DF, Solder Contacts

Pin Diameter—.040 [1.02]

Test Current*—7.5 amperes (Single contact, free-air test current; not to be construed as contact rating current. Use only for testing.)

Material and Finish

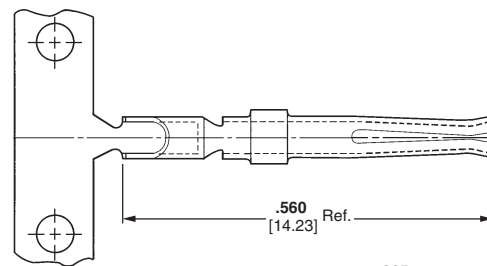
Pin—Brass, plated gold flash over nickel on entire contact with additional .000030 [0.00076] min. gold on mating end

Socket—Phosphor bronze, plated gold flash over nickel on entire contact with additional .000030 [0.00076] min. gold on mating end

***Note:** Total current capacity of each contact in a given connector is dependent on the heat rise resulting from the combination of electrical loads of all contacts in the connector arrangement and the maximum ambient temperature in which the connector will be operating. See page 8.

| Wire Size Range ¹ AWG mm ² | Ins. Dia. (Max.) | Contact Configuration | Tape Mounted Contacts ² Part No. | Loose Piece Contacts | | Hand Tool Nos. | | Positioner Nos. | |
|---|---------------------|-----------------------|--|-----------------------|----------|-------------------------------|----------|-------------------------------|----------|
| | | | | Military No. (M39029) | Part No. | Military (M22520) Part No. | Part No. | Military (M22520) Part No. | Part No. |
| 24-20 | 0.2-0.6 | .068 1.73 | Pin 205089-2 | 64-369 | 205089-1 | 02-01 | 601966-1 | 2-08 | 601966-5 |
| | | | Socket 205090-2 | 63-368 | 205090-1 | | | | |

¹Overall insulation crimp diameter, including crimp barrel, must not exceed .125 [3.18].
².000015 [0.00038] gold in the mating area over .000050 [0.00127] nickel.



| Strip Form Contact No. | | Loose Piece Contact No. | |
|------------------------|---------|-------------------------|---------|
| Pin | Socket | Pin | Socket |
| 66570-2 | 66569-2 | 66570-3 | 66569-3 |

Note: Contacts to be soldered to wire before being inserted into housing, 18 AWG [0.8 - 0.9 mm²] max. wire size.

CPC Series 2

Contact Arrangements, Series 2

Note: Contact arrangements shown are of pin mating face (plug or receptacle). Socket mating face is mirror image.

Shell Size 11

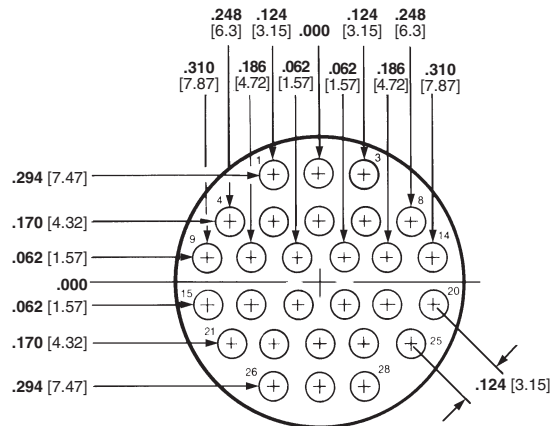


Arrangement 11-8
Max. Wire Ins. Dia. = .068 [1.73]



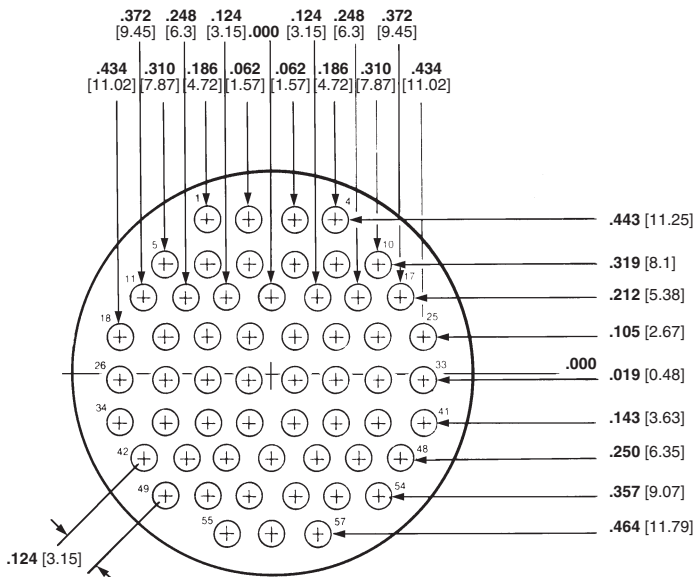
Arrangement 11-9
Max. Wire Ins. Dia. = .068 [1.73]

Shell Size 17

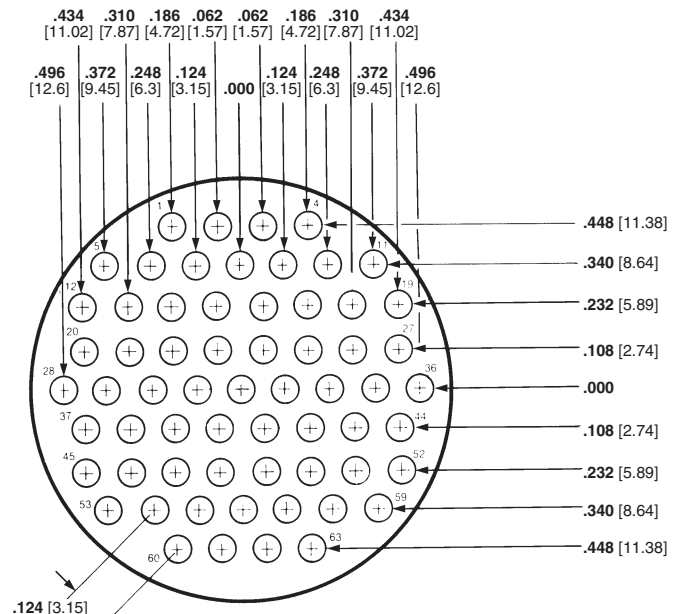


Arrangement 17-28
Max. Wire Ins. Dia. = .068 [1.73]

Shell Size 23



Arrangement 23-57
Max. Wire Ins. Dia. = .068 [1.73]

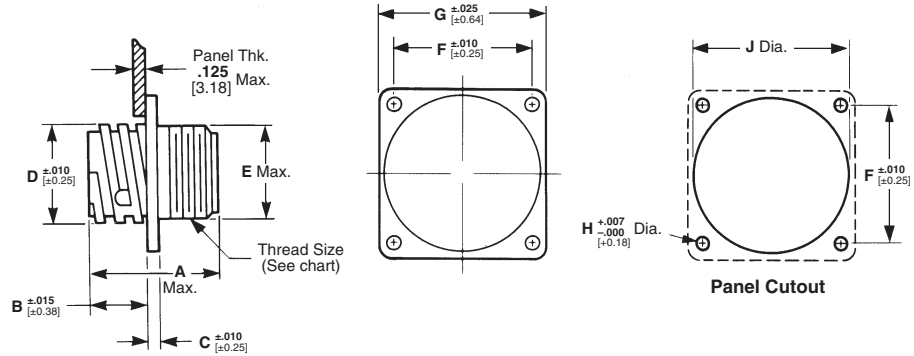


Arrangement 23-63
Max. Wire Ins. Dia. = .068 [1.73]

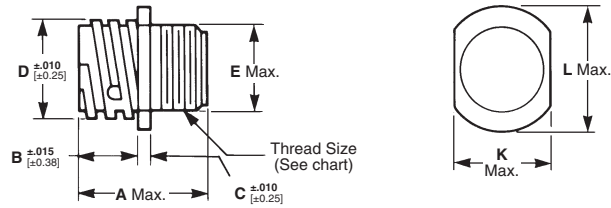
Note: All part numbers are RoHS Compliant.

Component Dimensions, Series 2

Square Flange Receptacle



Free-Hanging Receptacle



Plug



| Arrangement No. | Dimensions | | | | | | | | | | | | | Thread Size |
|-----------------|------------|-------|------|-------|-------|-------|-------|------|-------|-------|-------|-------|-------|-------------|
| | A | B | C | D | E | F | G | H | J | K | L | M | N | |
| 11-8 | .809 | .420 | .094 | .688 | .630 | .844 | 1.125 | .125 | .840 | .817 | .935 | .800 | .975 | 5/8-24 |
| 11-9 | 20.55 | 10.67 | 2.39 | 17.48 | 16 | 21.44 | 28.58 | 3.18 | 21.34 | 20.75 | 23.75 | 20.32 | 24.77 | UNEF-2A |
| 17-28 | .809 | .420 | .094 | 1.050 | .943 | 1.125 | 1.435 | .150 | 1.210 | 1.161 | 1.310 | .800 | 1.349 | 15/16-20 |
| | 20.55 | 10.67 | 2.39 | 26.67 | 23.95 | 28.58 | 36.45 | 3.81 | 30.73 | 29.49 | 33.27 | 20.32 | 34.26 | UNEF-2A |
| 23-57 | .924 | .420 | .156 | 1.438 | 1.515 | 1.438 | 1.750 | .150 | 1.610 | 1.500 | 1.733 | .915 | 1.788 | 1-3/8-18 |
| 23-63 | 23.47 | 10.67 | 3.96 | 36.53 | 38.48 | 36.53 | 44.45 | 3.81 | 40.89 | 38.1 | 44.02 | 23.24 | 45.42 | UNEF-2A |

Note: All dimensions apply to both standard and reverse sex connectors.

CPC Series 2

Note: All part numbers are RoHS Compliant.

Circular Plastic Connectors, Series 3

CPC Connectors, Series 3



Listed part numbers are for connectors only; **contacts must be ordered separately.**

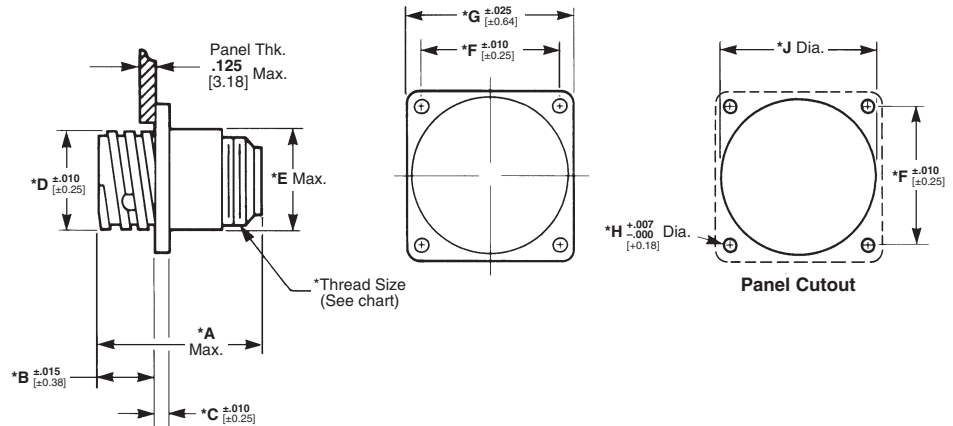
Material

Housing—Thermoplastic, 94V-0 rated, black

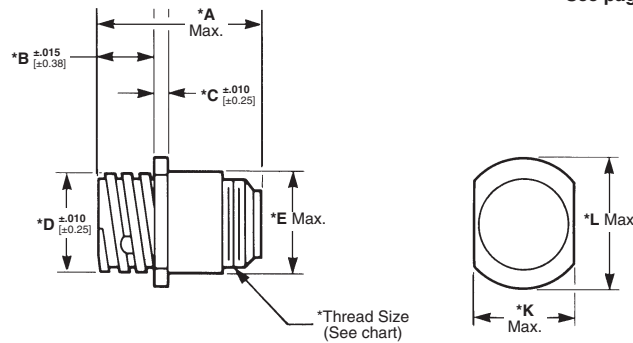
Related Product Data

- Contacts**—Page 34–35
- Contact Arrangement**—Page 35
- Component Dimensions**—Page 36*
- Accessories**—Pages 38–42
- Performance Characteristics**—Page 6
- Application Tooling**—Pages 76–79
- Technical Documents**—Page 80

Square Flange Receptacle

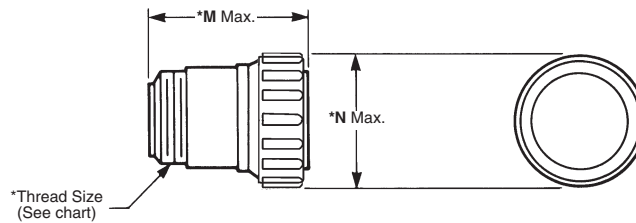


Free-Hanging Receptacle



***Note:**
See page 36 for Callout Dimensions

Plug



Standard Sex Connectors

(Receptacles accept Type XII Male/pin contacts, Plugs accept Type XII Female/socket contacts)

| Arrangement | Square Flange Receptacle | | Free-Hanging Receptacle | Plug |
|-------------|--------------------------|------------------------------------|-------------------------|----------|
| | With Mounting Holes | With Threaded Inserts ¹ | | |
| 17-3 | 206036-2 | 213581-1 | 206207-1 | 206037-2 |
| 23-7 | 206137-1 | 206137-5 | 206137-2 | 206136-1 |

¹Four 4-40 threaded inserts per receptacle.

Reverse Sex Connectors

(Receptacles accept Type XII Female/socket contacts, Plugs accepts Type XII Male/pin contacts)

| Arrangement | Square Flange Receptacle | | Free-Hanging Receptacle | Plug |
|-------------|--------------------------|------------------------------------|-------------------------|----------|
| | With Mounting Holes | With Threaded Inserts ¹ | | |
| 17-3 | 206425-1 | 206425-5 | 206425-2 | 206426-1 |
| 23-7 | 206227-1 | 206227-6 | 206227-2 | 206226-1 |

¹Four 4-40 threaded inserts per receptacle.

Note: Maximum wire insulation diameter is .220 [5.59].

Replacement Coupling Rings

| Shell Size | Part No. |
|------------|----------|
| 17 | 213810-1 |
| 23 | 213812-1 |

Note: All part numbers are RoHS Compliant.

Power Contacts, Series 3

Type XII, Precision Formed, Crimp

Material

Copper

Finish

- A—Tin
- B—.000030 [0.00076] selective gold over .000030 [0.00076] nickel
- C—.000100 [0.00254] silver plated contacts with lubricant added

Test Current Rating

- Silver or Gold—35 amperes ‡
- Tin—15 amperes ‡

‡Single contact, free-air test current; not to be construed as contact rating current. Use only for testing. Refer to contact current carrying capability information, page 8.

Related Product Data

- Application Tooling—Pages 76-79
- Technical Documents—Page 80



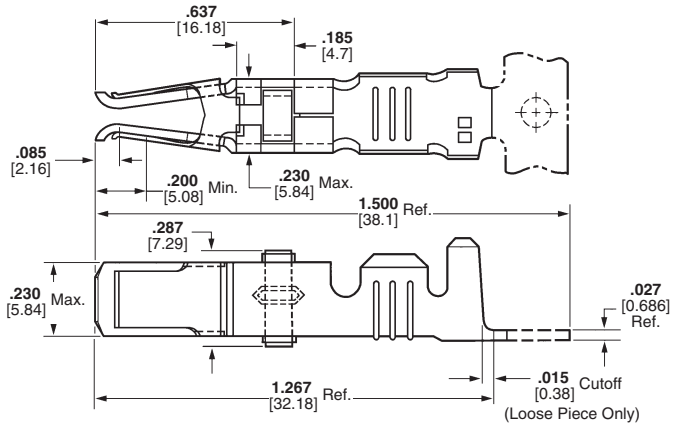
Male



Female



Male



Female



Extraction Tool Part No. 91019-3

| Wire Size Range ¹ | Ins. Dia. Range | Contact Finish | Strip Form Contact Part Nos. | | | | Loose Piece | | Tooling | | |
|------------------------------|------------------|------------------------|------------------------------|----------------------|-------------------------|----------------------|-------------------|----------------------|---------------------------------|--|---|
| | | | Standard*** | | Heavy Duty Miniature*** | | Contact Part Nos. | | Heavy Duty Miniature Applicator | Die Set for Hand Tool 69710-1 or 626 Pneumatic Tool System | |
| AWG | mm ² | | Male | Female | Male | Female | Male | Female | | | |
| 16 and 14-12 | 1.25-1.4 and 2-3 | .135-.160 3.43-4.06 | A | 66255-1 | 66740-7 | 66255-5 | 1-66740-2 | 66261-1 | 66740-8 | 567455-□*** | 90145-2 ^{3,7} and 90145-1 ^{4,7} |
| | | | | 66256-1 ² | — | 66256-5 ² | — | 66262-1 ² | — | | |
| | | | B | 66255-2 | 66740-5 | 66255-6 | 1-66740-1 | 66261-2 | 66740-6 | | |
| | | | | 66256-2 ² | — | 66256-4 ² | — | 66262-2 ² | — | | |
| | | | C ⁵ | 66255-7 | 66740-1 | 66255-8 | 66740-9 | 66261-4 | 66740-2 | | |
| | | | | 66256-6 ² | — | 66256-7 ² | — | 66262-4 ² | — | | |
| 10 | 5-6 | .190-.220 4.83-5.59 | A | 66253-1 | 66741-7 | 66253-5 | 1-66741-2 | 66259-1 | 66741-8 | 567021-□*** | 90140-17 |
| | | | | 66254-1 ² | — | — | — | 66260-1 ² | — | | |
| | | | B | 66253-2 | 66741-5 | 66253-6 | 1-66741-1 | 66259-2 | 66741-6 | | |
| | | | | 66254-2 ² | — | — | — | 66260-2 ² | — | | |
| | | | C ⁵ | 66253-4 | 66741-1 | 66253-8 | 66741-9 | 66259-4 | 66741-2 | | |
| | | | | 66254-4 ² | — | — | — | 66260-4 ² | — | | |

¹Wire strip length—.281 [7.14].

²Ground contact.

³Die insert Part No. 90145-2 is for crimping 16 AWG [1.25-1.4 mm²] wire.

⁴Die insert Part No. 90145-1 is for crimping 14-12 AWG [2-3 mm²] wire.

⁵Recommended for high current/vibration applications where fretting corrosion is a problem.

⁷Die Set requires "C" Head Adapter Part No. 318161-1; Adapter Holder Part No. 356304-1 (with ratchet) or 189928-1 (without); and Power Unit Part No. 189721-2 (hand actuated) or 189722-2 (foot actuated).

Extraction Tool No. 91019-3.

***Call Technical Support for Automatic Machine Applicator Part Numbers.

Power Contacts, Series 3 (Continued)

High Current Type XII Crimp Contacts

The Multimate features of the High Current Type XII contact have been designed to fit into the existing AMP Connectors such as CPC (Circular Plastic Connector), CMC (Circular Plastic Metal-Shell Connector), G Series, M Series, and CMPC (Circular Multipin Connector) housings. An initial T-Rise test in free air has shown a 60 amp capability with a 30° T-Rise with 8 gage wires. The contact may be crimped onto 8 AWG wire with a Daniels Hand Tool M310 or AMP P/N 356114-1 and Positioner TP1068 or AMP P/N 356119-1.

Current-Carrying Capacity

The graph shows current-carrying capacity versus temperature rise for a fully energized 3 position CPC plug P/N 206037-2 and receptacle P/N 206036-2. These initial representative amperage ratings were conducted with 8 AWG wires that were 3 feet long.



Material

- Body** — Copper Alloy
- Louvertac Band** — Beryllium Copper
- Retention Spring** — Stainless Steel
- Finish**
- Body** — Silver
- Louvertac Band** — Gold



Extraction Tool Part No. 224155-1

**Current Rating for 30°C Temperature Rise
100% Energized
3 Circuit Connector (Wire-to-Wire)**



CPC Series 3

Contact Arrangements, Series 3

Shell Size 17



Arrangement 17-3
Max. Wire Ins. Dia. = .220 [5.59]

Shell Size 23



Arrangement 23-7
Max. Wire Ins. Dia. = .220 [5.59]

Note: Contact arrangements shown are of pin mating face (plug or receptacle). Socket mating face is mirror image.

Note: All part numbers are RoHS Compliant.

Component Dimensions, Series 3

Square Flange Receptacle



Free Hanging Receptacle



Plug



| Arrangement No. | Dimensions | | | | | | | | | | | | | Thread Size |
|-----------------|----------------|---------------|--------------|----------------|----------------|----------------|----------------|--------------|----------------|----------------|----------------|----------------|----------------|---------------------|
| | A | B | C | D | E | F | G | H | J | K | L | M | N | |
| 17-3 | 1.635 41.53 | .420 10.67 | .094 2.39 | 1.050 26.67 | 1.110 28.19 | 1.125 28.58 | 1.435 36.45 | .150 3.81 | 1.210 30.73 | 1.161 29.49 | 1.310 33.27 | 1.645 41.78 | 1.349 34.26 | 15/16-20 UNEF-2A |
| 23-7 | 1.635 41.53 | .520 13.21 | .156 3.96 | 1.438 36.53 | 1.510 38.35 | 1.438 36.53 | 1.750 44.45 | .150 3.81 | 1.610 40.89 | 1.505 38.23 | 1.733 44.02 | 1.645 41.78 | 1.788 45.42 | 1-3/8-18 UNEF-2A |

Note: All dimensions apply to both standard and reverse sex.

CPC Series 3

Note: All part numbers are RoHS Compliant.

Circular Plastic Connectors, Series 4

CPC Connectors, Series 4, Standard Sex



Listed part numbers are for connectors only; **contacts must be ordered separately.**

Material

Housing—Thermoplastic, 94V-0 rated, black; 23-9M – Nylon 6/6, glass filled, black

Related Product Data

Contacts—Pages 17-21 and 34-35

Contact Arrangements—Below

Accessories—Pages 38-42

Performance Characteristics—Page 6

Application Tooling—Pages 76-79

Technical Documents—Page 80

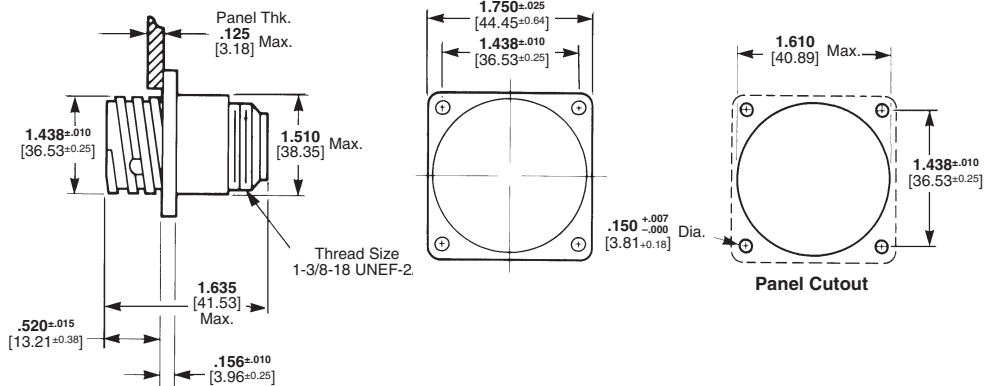
Replacement Coupling Ring

| Shell Size | Part No. |
|------------|----------|
| 23 | 213812-1 |

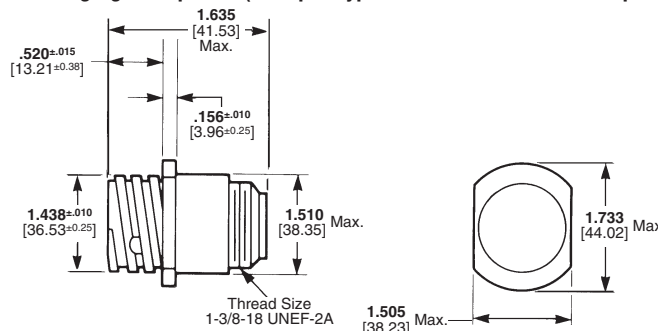
Contact Arrangements, Series 4 Shell Size 23

Note: Contact arrangements shown are of pin mating face (plug or receptacle). Socket mating face is mirror image.

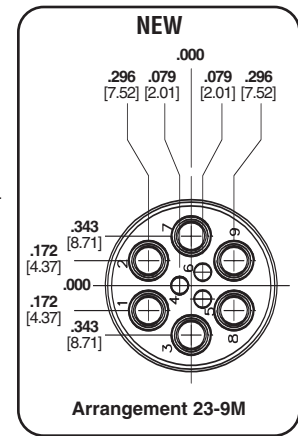
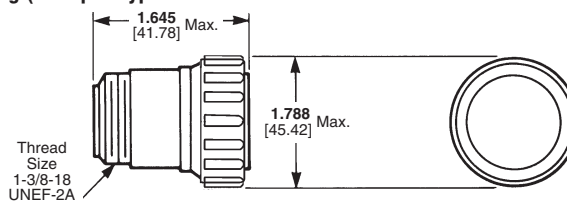
Square Flange Receptacle (Accepts Type XII Male and Multimate pin contacts)



Free-Hanging Receptacle (Accepts Type XII Male and Multimate pin contacts)



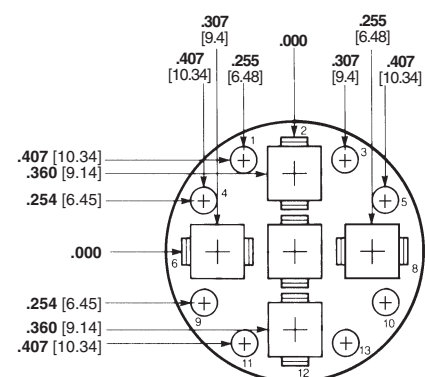
Plug (Accepts Type XII Female and Multimate socket contacts)



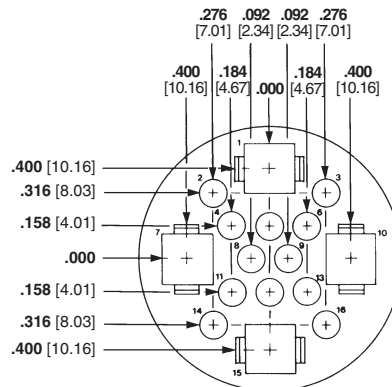
| Arrangement | No. of Cavities | | Square Flange Receptacle | Free-Hanging Receptacle | Plug |
|-------------|-----------------|-----------|--------------------------|-------------------------|----------|
| | Power | Multimate | | | |
| 23-9M | 6 (POWERBAND) | 3 | 1776247-2 ¹ | — | 206136-4 |
| 23-13M | 5 (Type XII) | 8 | 211825-1 | 211825-2 | 211824-1 |
| 23-16M | 4 (Type XII) | 12 | 207486-1 | 207486-2 | 207485-1 |
| 23-22M | 2 (Type XII) | 20 | 206613-1 | 206613-3 | 206612-1 |

¹Four 4-40 threaded inserts per receptacle.

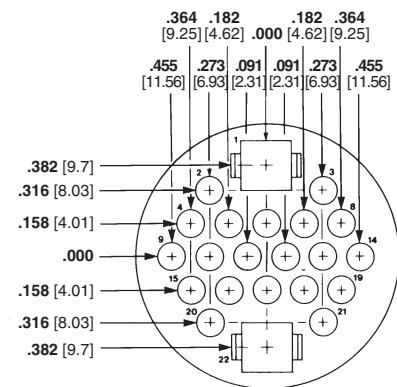
Note: Maximum wire insulation diameter is .150 [3.81] for Multimate contacts; .220 [5.59] for Power contacts.



Arrangement 23-13M
 Max. Wire Ins. Dia. =
 .150 [3.81] for Multimate Contacts,
 .220 [5.59] for Power Contacts



Arrangement 23-16M
 Max. Wire Ins. Dia. =
 .150 [3.81] for Multimate Contacts,
 .220 [5.59] for Power Contacts



Arrangement 23-22M
 Max. Wire Ins. Dia. =
 .150 [3.81] for Multimate Contacts,
 .220 [5.59] for Power Contacts

Note: All part numbers are RoHS Compliant.

CPC Connector Accessories

Cable Clamps

Cable clamps provide strain relief and can be used on all series receptacles and plugs.

Material

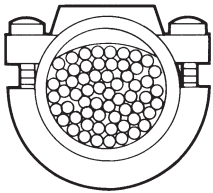
Black thermoplastic heat-stabilized, fire-resistant, self-extinguishing, UL 94V-0 rated

Standard Size

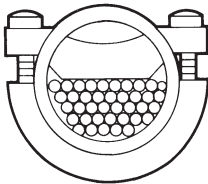


| Shell Size | Dimensions | | Cable O.D. (Max.) | Thread Size | Part No. | |
|------------|----------------|----------------|-------------------|------------------|-----------------------|-----------------------|
| | A | B | | | Individually Packaged | Bulk Packaged* |
| 11 | .825 20.96 | 1.250 31.75 | .329 8.36 | 5/8-24 UNEF-2B | 1-206062-4 | 1-206062-7** (400) |
| 13 | .950 24.13 | 1.400 35.56 | .453 11.51 | 3/4-20 UNEF-2B | 206966-7 | 206966-9** (200) |
| 17 | 1.125 28.58 | 1.400 35.56 | .453 11.51 | 15/16-20 UNEF-2B | 206070-8 | 1-206070-0** (200) |
| 23 | 1.600 40.64 | 1.555 39.5 | .703 17.86 | 1-3/8-18 UNEF-2B | 206138-8 | 1-206138-0** (100) |

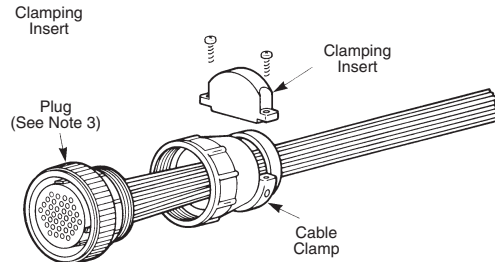
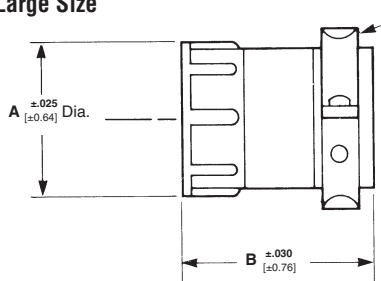
*Numbers in parentheses specify, in multiples, the minimum quantity of parts that can be ordered.
 **Packaging includes two screws: shell sizes 11-17, screw length .500 [12.7]; shell size 23, screw length .625 [15.88].
Notes: 1. Clamping areas adjustable by inverting or changing clamping inserts. The quantity of inserts supplied with each assembly is as follows: for size 11 cable clamps, one insert; for all other cable clamps, two inserts.
 2. Components for all cable clamps are packaged unassembled. This includes the cable clamp, two screws and the clamping inserts.
Notes: 3. Cable clamps can be threaded directly onto plugs or receptacles, or onto back-shell extenders (page 40).
 4. Replacement screws are available in the following sizes: 3/8 in. [9.52]—**5019024-1**, 1/2 in. [12.7]—**5019024-2**, 5/8 in. [15.88]—**5019024-3**, 1 in. [25.4]—**5019024-4**, 3/4 in. [19.05]—**5019024-5**.
 5. Cable clamp inserts not sold separately.



The clamping area can be adjusted by reversing the clamping insert as shown below.



Large Size



| Shell Size | Dimensions | | Cable O.D. (Max.) | Thread Size | Part No. | |
|------------|----------------|----------------|-------------------|------------------|-----------------------|-----------------------|
| | A | B | | | Individually Packaged | Bulk Packaged* |
| 11 | .850 21.59 | 1.450 36.83 | .453 11.51 | 5/8-24 UNEF-2B | 206358-5 | 206358-6** (200) |
| 13 | 1.131 28.73 | 1.655 42.04 | .703 17.86 | 3/4-20 UNEF-2B | 207008-5 | 207008-6** (100) |
| 17 | 1.131 28.73 | 1.655 42.04 | .703 17.86 | 15/16-20 UNEF-2B | 206322-9 | 1-206322-0** (100) |
| 23 | 1.600 40.64 | 1.655 42.04 | 1.125 28.58 | 1-3/8-18 UNEF-2B | 206512-5 | 206512-6** (75) |

*Numbers in parentheses specify, in multiples, the minimum quantity of parts that can be ordered.
 **Packaging includes two screws: shell size 11, screw length .500 [12.7]; shell sizes 13-23, screw length .625 [15.88].
Notes: 1. Clamping areas adjustable by inverting or changing clamping inserts. The quantity of inserts supplied with each assembly is as follows: for size 23 cable clamps, four inserts; for all other cable clamps, two inserts.
 2. Components for all cable clamps are packaged unassembled. This includes the cable clamp, two screws and the clamping inserts.
Notes: 3. Cable clamps can be threaded directly onto plugs or receptacles, or onto back-shell extenders (page 40).
 4. Replacement screws are available in the following sizes: 3/8 in. [9.52]—**5019024-1**, 1/2 in. [12.7]—**5019024-2**, 5/8 in. [15.88]—**5019024-3**, 1 in. [25.4]—**5019024-4**, 3/4 in. [19.05]—**5019024-5**.
 5. Cable clamp inserts not sold separately.

For additional information concerning cable clamps, refer to Instruction Sheet 408-7582.

Note: All part numbers are RoHS Compliant.

CPC Connector Accessories (Continued)

Self-Centering Cable Clamp (for Shell Size 23)

The self-centering cable clamp is used in applications where strain relief protection is required and the cable or wire bundle is large and/or stiff.

Material

Black thermoplastic, UL 94V-0 rated

Part Numbers

207774-3 (individually packaged)

207774-4 (bulk packaged)



- Notes:**
1. Clamping area is adjustable by inverting clamping inserts; maximum cable diameter is 1.125 [28.58].
 2. Components for cable clamp are packaged unassembled. This includes the cable clamp, two screws (1.00 [25.4]) and the clamping inserts.
 3. Cable clamp can be threaded directly onto plugs or receptacles, or onto back-shell extenders (page 40).

Right-Angle Cable Clamps

Right-angle cable clamps are used in tight areas where typical 180° cable clamp strain reliefs will not fit.

Material

Black thermoplastic, UL 94V-0 rated

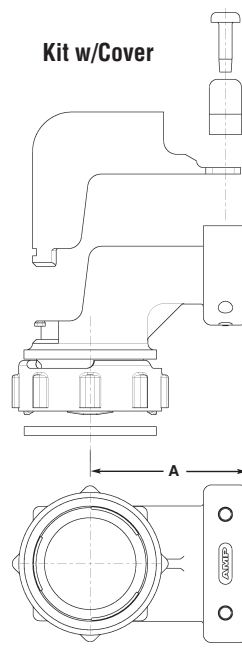
Related Product Data

Technical Documents — page 80

Style A Kit

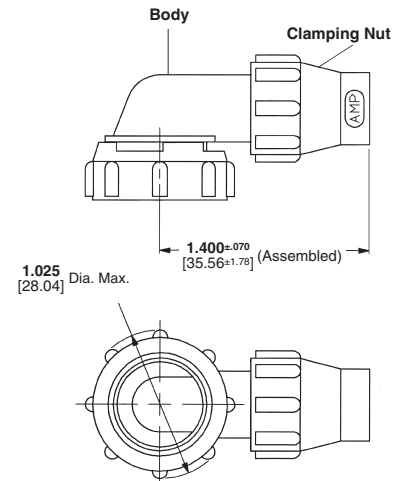


Kit w/Cover



Style B

Part Number 213982-1 (for Shell Size 13)



| Shell Size | Dim. A | Cable O.D. Max. | Coupling Ring Thread Size | Part Number | |
|------------|---------------|-----------------|---------------------------|-------------|-------------|
| | | | | Kit | Kit w/Cover |
| 11 | .900 [22.86] | .329 [8.36] | 5/8-24 UNEF-2B | 796379-2 | 1546347-2 |
| 13 | 1.100 [27.94] | .453 [11.51] | 3/4-20 UNEF-2B | 796380-2 | 1546348-2 |
| 17 | 1.200 [30.48] | .453 [11.51] | 15/16-20 UNEF-2B | 796381-2 | 1546349-2 |
| 23 | 1.500 [38.10] | .703 [17.86] | 1-3/8-18 UNEF-2B | 796382-2 | 1546350-2 |

CPC Connector Accessories (Continued)

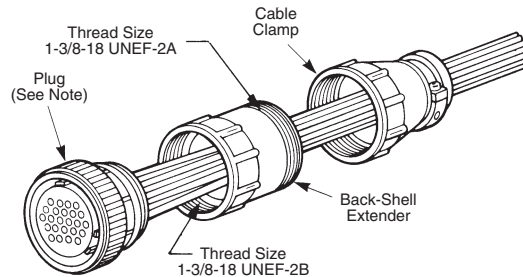
**Back-Shell Extender
(for Shell Size 23)**

A back-shell extender is used with a cable clamp in applications where added length and/or additional wire breakout are required.

Material

Black glass-filled thermoplastic

Part No. 207055-1



Note: Back-shell extenders can be threaded directly onto plugs or receptacles and will accept cable clamps of the appropriate size (pages 38 and 39).

**Panel Mount Flanges
(for Plugs only)**

A panel mount flange is used in applications that require the plug half of a connector to be panel mounted.

Material

Black thermoplastic



| Shell Size | Dimensions | | | | Part No. |
|------------|----------------|----------------|----------------|--------------|----------|
| | A | B | C | D | |
| 11 | .844 21.44 | 1.125 28.58 | .750 19.05 | .125 3.18 | 207299-1 |
| 13 | .969 24.61 | 1.280 32.51 | .875 22.22 | .125 3.18 | 207299-2 |
| 17 | 1.125 28.58 | 1.435 36.45 | 1.110 28.19 | .150 3.81 | 207299-3 |
| 23 | 1.438 36.53 | 1.750 44.45 | 1.510 38.35 | .150 3.81 | 207299-4 |

CPC Connector Accessories (Continued)

**Flexible Cable Boot and
Internal Cable Grip
(for Shell Size 11)**

Flexible cable boots, with internal cable grip installed, provide strain relief capabilities for jacketed cable in applications where aesthetic appearance is essential. They can be threaded onto plugs or receptacles.



Flexible Cable Boot

Internal Cable Grip

Material

Black thermoplastic

Cable Range

.150-.250 [3.81-6.35] Dia.

Part Numbers

207489-1 (Cable Boot)

207490-1 (Cable Grip)



**Flexible Cable Boot and
Internal Cable Grip
(for Shell Size 17)**

Flexible cable boots, with internal cable grip installed, provide strain relief capabilities for jacketed cable in applications where aesthetic appearance is essential. They can be threaded onto plugs or receptacles.



Flexible Cable Boot

Internal Cable Grip

Material

Black thermoplastic

Part Numbers

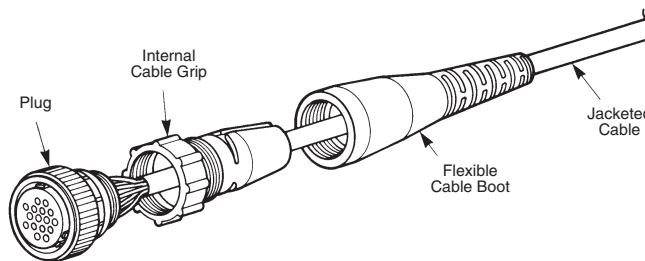
207241-1 (Cable Boot)

207387-1 (Cable Grip)

A Dia. = .325 [8.26] for cable range
of .200-.250 [5.08-6.35]

207387-2 (Cable Grip)

A Dia. = .385 [9.78] for cable range
of .250-.350 [6.35-8.89]



CPC Connector Accessories (Continued)

Keying Plugs

Keying plugs are used to provide keying capabilities for all connector series. Keying plugs are used in socket cavities of standard sex plugs and reverse sex receptacles, except when used with sealing caps.

Material

Nylon, natural, UL 94V-2 rated



Series 1 and Series 4 Keying Plug
(for Types III+ and Subminiature COAXICON Contacts)
Part No. 200821-1



Series 2 Keying Plug
(for Size 20 DM and 20 DF Contacts)
Part No. 206509-1



Series 3 and Series 4 Keying Plugs
(for Type XII Contacts)
Part Nos. 206508-1 (Socket Cavities)—Shown Above
207597-1 (Pin Cavities)

Material

(206508-1) Nylon, natural, UL 94V-2 rated
(207597-1) Thermoplastic, black, UL 94V-0 rated

One-Piece Sealed Circular Plastic Connectors

Product Facts

- Economical environmentally sealed connector designed for industrial applications
- Meets major Industrial Standards
- High strength, impact resistant thermoplastic housing, rated UL 94V-0
- Contains wire entry and peripheral seals
- AMP POWERBAND precision formed power contact (Series 5 and 6)
- Type III+ precision formed signal/low current contacts (Series 1 and Series 6)
- Other configurations in Series 1 can be made available, contact your local Tyco Electronics Sales Engineer or Tyco Electronics, Harrisburg, PA



The new Sealed One-Piece Circular Plastic Connectors are the latest product innovation to the sealed CPC product family. This design allows for easy assembly. The housing and the seal are attached. A newly designed wire entry seal protects the rear of the connector and a peripheral seal protects the connector interface. Simply crimp the contact onto a wire and insert the crimped wire contact through the seal and into the housing cavity. The connector loads the same as if the seal wasn't there. All connector cavities come in a sealed condition. No plugs are required if you do not use a position cavity. We have the

capability to provide this product sealing to you in all the shell sizes. If you don't see your particular size configuration, contact your local Tyco Electronics Sales Engineer or call Tyco Electronics for the latest information.

Industry Standards One-Piece Sealed CPC products meet –

- IP 67 (Temporary immersion)

Fluid Protection Against – diesel fuel, gear and engine lubricants, gasoline, anti-freeze, hydraulic fluid, water, salt sprays, etc.

Performance Characteristics meets the same performance characteristics as shown on page 6.

Operating Temperature Range—
-50°C to +125°C [-58°F to +257°F]

UL Voltage Rating—

- Series 1 600 V (AC or DC)
- Series 6 250 V (AC or DC)

.125 POWERBAND Power Contact –
45 amps, single contact rating at 30°C T-Rise
Type III+ Contacts –
13 amps, single contact rating at 30°C T-Rise

Flammability Rating—
UL 94V-0 rated

Sealing Capability—
Per IP 67

Housing Material—
High strength, impact resistant thermoplastic

Fluid Resistance—
Diesel fuel, gear and engine lubricants, gasoline, anti-freeze, hydraulic fluid, water

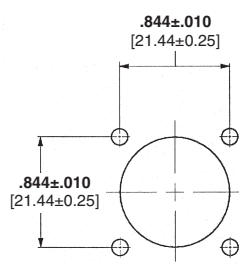
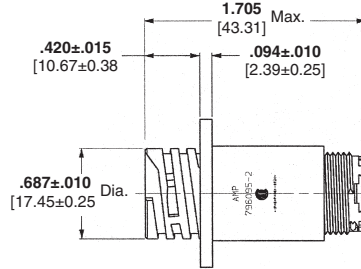
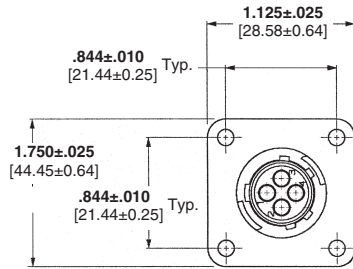
Note: All part numbers
are RoHS Compliant.

One-Piece Sealed Circular Plastic Connectors, Series 1

Sealed CPC Receptacles, Special Series 1 with Pre-Installed, Bonded Peripheral Seal



Square Flange Receptacle (Uses Flange Seal Part No. 81665-□ on page 51)



Recommended Panel Cutout

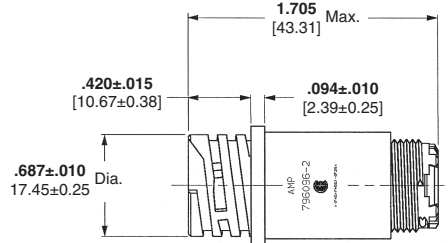
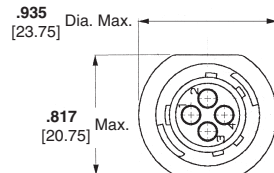
Listed part numbers are for
connectors only; **contacts must
be ordered separately.**

Material and Finish

Housing—Thermoplastic, UL 94V-0
rated, black

Seal—Elastomer, gray

Free-Hanging Receptacle



Related Product Data

Contacts—Pages 17-22

Contact Arrangement—Page 24

Component Dimensions—
Size 11-4 shown; request Customer
Drawings for other sizes

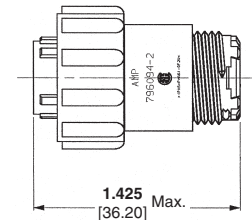
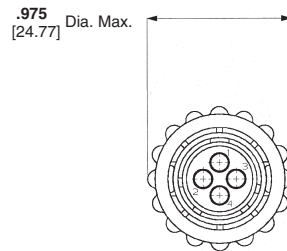
Accessories—Pages 38-42 and
51-54

Performance Characteristics—
Page 6

Application Tooling—Pages 76-79

Technical Documents—Page 80

Plug



| Arrangement Shell No. of Size Positions | Sex | Square Flange Receptacle | | Free-Hanging Receptacle | Plug | Insulation Diameter |
|---|----------|--------------------------|---------------------------------------|----------------------------|----------|------------------------|
| | | With Mounting Holes | With Threaded Inserts ¹ | | | |
| 11-4 | Standard | 796095-2 | — | 796096-2 | 796094-2 | .065-.100 [1.65-2.54] |
| | Reverse | 788154-2 | — | 788155-2 | 788153-2 | .065-.100 [1.65-2.54] |
| 13-9 | Standard | 788158-2 | — | 788159-2 | 788157-2 | .065-.100 [1.65-2.54] |
| 17-14 | Reverse | 796272-1 | — | 796273-1 | 796271-1 | .065-.100 [1.65-2.54] |
| 17-16 | Standard | 796275-1 | 796275-3 | 796276-1 | 796274-1 | .065-.100 [1.65-2.54] |
| | Standard | 796275-2 | — | 796276-2 | 796274-2 | .040-.080 [1.01-2.03] |
| 23-24 | Standard | 796190-1 | — | 796291-1 | 796188-1 | .065-.120 [1.65-3.04] |
| 23-37 | Standard | 796286-1 | — | 796287-1 | 796288-1 | .065-.100 [1.65-2.54] |

¹Four 4-40 threaded inserts per receptacle.

Assembly Accessories

Seal Protectors are recommended to aid
contact insertion through the wire entry
seal. They are reusable.



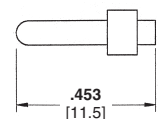
Part Number 208337-1 (Insert Pins)

Part Number 208338-1 (Insert Sockets)

Wire Entry Seal Plug

Part Number 796075-1 (6 per carrier strip)

Material—Polypropylene, natural



Note: All part numbers are RoHS Compliant.

One-Piece Sealed Circular Plastic Connectors, Series 5

CPC Connectors, Series 5 Sealed – Reverse Sex



Listed part numbers are for connectors only; **contacts must be ordered separately.**

Material

Housing—Nylon, glass-filled UL rated 94V-0, black

Related Product Data

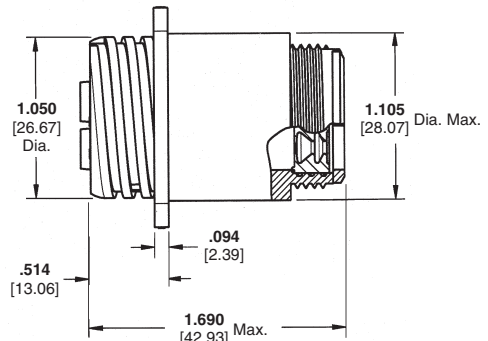
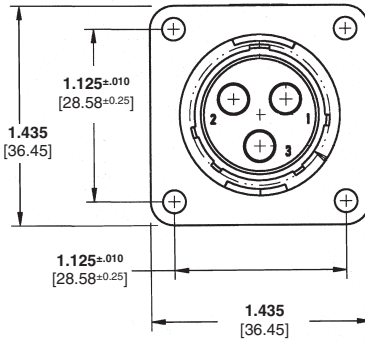
Contacts—Page 47

Accessories—Page 51

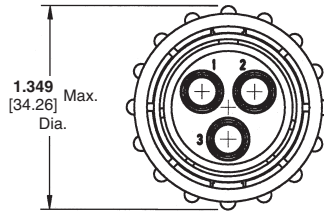
Application Tooling—Pages 76-79

Technical Documents—Page 80

Square Flange Receptacle (Uses Flange Seal Part No. 81665-2 on page 51)



Plug



| Arrangement | | Insulation Diameter | Square Flange Receptacle | Free-Hanging Receptacle | Plug |
|-------------|------------------|-----------------------|--------------------------|-------------------------|----------|
| Shell Size | No. of Positions | | | | |
| 17-3 | | .095-.205 [2.41-5.21] | 788189-1 | 796112-1 | 788188-1 |
| | | .150-.265 [3.81-6.73] | 788189-2 | 796112-2 | 788188-2 |

CPC Connectors, Series 6 Sealed



Listed part numbers are for connectors only; **contacts must be ordered separately.**

Material

Housing—Nylon, glass-filled UL rated 94V-0, black

Related Product Data

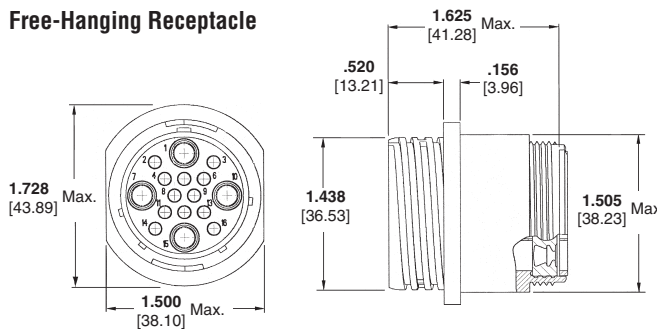
Contacts—Pages 17-23 and 47

Application Tooling—Pages 76-79

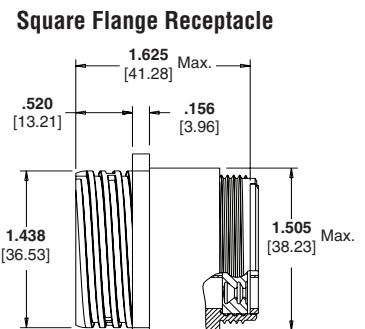
Technical Documents—Page 80

One-Piece Sealed Circular Plastic Connectors, Series 6

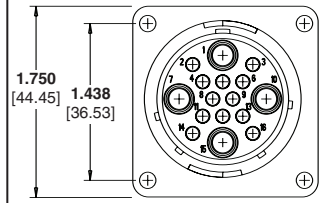
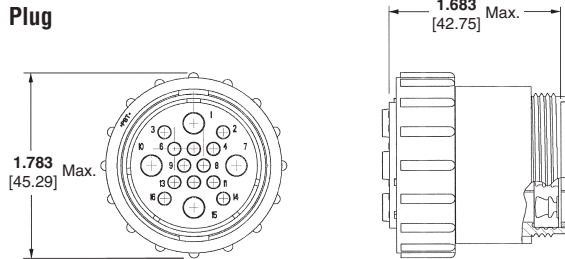
Free-Hanging Receptacle



Square Flange Receptacle



Plug



| Arrangement | | Insulation Diameter | | Sex | Square Flange Receptacle w/Mounting Holes | Free-Hanging Receptacle | Plug |
|-------------|------------------|-----------------------|-----------------------|----------|---|-------------------------|----------|
| Shell Size | No. of Positions | Power | Signal | | | | |
| 23-16 | | .095-.205 [2.41-5.21] | .065-.100 [1.65-2.54] | Standard | 796466-1 | 796207-1 | 796203-1 |
| | | | | Reverse | — | 796330-1 | 796332-1 |

Two-Piece Sealed Circular Plastic Connectors

Product Facts

- Economical environmentally sealed connector designed for industrial applications
- Meets major Industrial Standards
- High strength, impact resistant thermoplastic housing, rated UL 94V-0
- Contains wire entry, peripheral, and full interfacial seals
- AMP POWERBAND precision formed power contact (Series 5 and 6)
- Type III+ precision formed signal/low current contacts (Series 6)
- Other configurations in Series 1 can be made available, contact your local Tyco Electronics Sales Engineer or Tyco Electronics, Harrisburg, PA



Technical Documents

Instruction Sheet

408-4317 Two-Piece Sealed CPC Connectors

Product Specification

108-1579 Sealed CPC Connectors with Removable Contacts

Sealed CPC connectors are the latest additions to the growing family of AMP Circular Plastic Connectors. Sealed CPC connectors were developed as part of the Series 5 and 6 product line, specifically to meet the increasing demand for an economical environmentally sealed connector.

Sealed CPC connectors are designed to meet the requirements of UL, CSA, and VDE for environmentally sealed connectors used in industrial applications.

In addition, sealed CPC connectors are designed to meet the latest SAE and ASAE requirements as outlined in the standards listed here.

Sealed CPC connectors incorporated the latest technology in thermoplastic design and use the new AMP POWERBAND precision formed high current contact.

Illustrated above are the Series 5 (power) and Series 6

(power/signal mix) sealed connector configurations. Other sizes are available in a Series 1 (signal/low current) configuration. Contact your local Tyco Electronics Sales Engineer, or call Tyco Electronics for the latest design information.

Industry Standards

Two-Piece Sealed CPC connectors meet—

- IP65

Performance Characteristics

Operating Temperature Range—

-50°C to +125°C [-58°F to +257°F]

UL Voltage Rating—

Series 5 600 V (AC or DC)

Series 6 250 V (AC or DC)

.125 POWERBAND Power Contact —

45 amps, single contact rating at 30°C T-Rise

Type III+ Contacts —

13 amps, single contact rating at 30°C T-Rise

Flammability Rating—

UL 94V-0 rated

Sealing Capability—

Per IP 65

Housing Material—

High strength, impact resistant thermoplastic

Fluid Resistance—

Diesel fuel, gear and engine lubricants, gasoline, anti-freeze, hydraulic fluid, water

Note: All part numbers are RoHS Compliant.

Sealed Circular Plastic Connectors

Multimate Size 16 Contacts

Precision formed signal/low current
Pin Diameter—.062 [1.57]
Test Current—13 amps max.

.125 POWERBAND Contacts

Precision formed high current
Pin Diameter—.125 [3.175]
Test Current—50 amps max.

Extraction Tool
Part Number 318813-1
(Instruction Sheet 408-4374)

Material and Finish

Contacts—Copper with beryllium copper spring

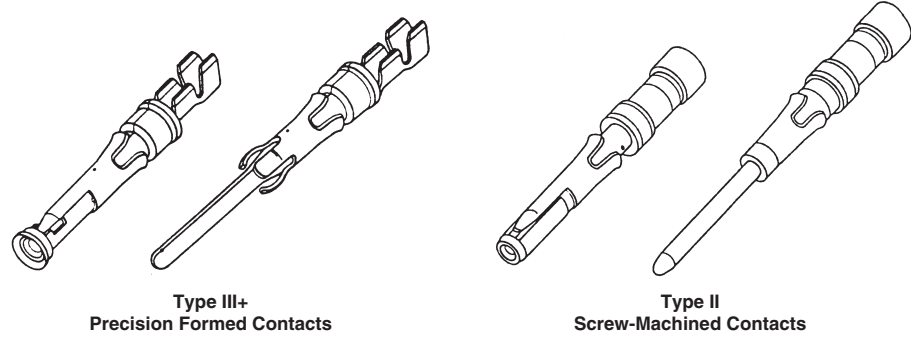
Plating Code

A — Post plated .000200 [0.00508] min. silver in mating area with .000050 [0.00127] min. silver on remainder of contact, all over .000050 [0.00127] min. nickel
B — Post plated .000030 [0.00076] min. gold in mating area with gold flash on remainder of contact, all over .000050 [0.00127] min. nickel

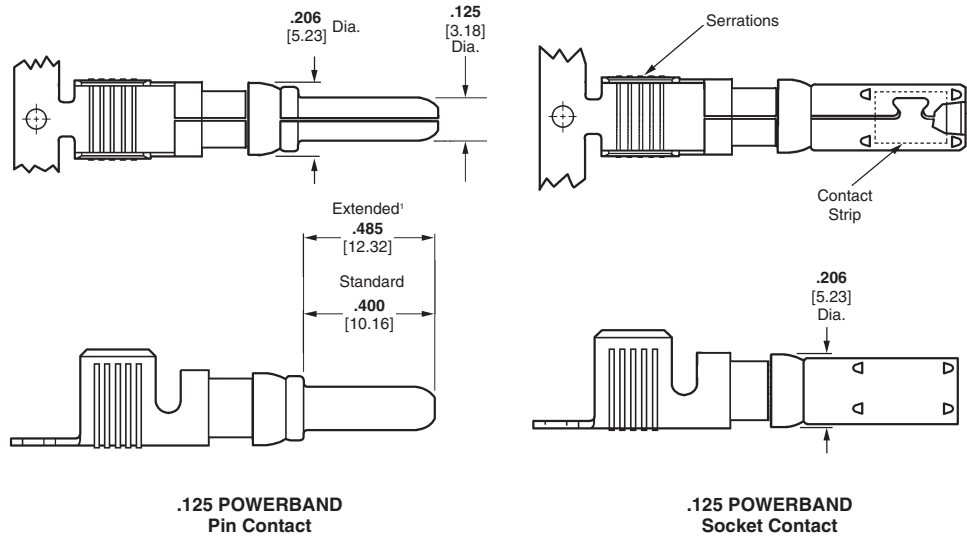
Related Product Data

Application Tooling—Pages 76-79

Technical Documents—Page 80



See pages 17-23 for complete product information and part numbers of Size 16 contacts applicable in Sealed CPC Connectors.



| Wire Size AWG/mm ² | Contact Finish | Pin Length | Contact Part No. | | | | Tooling Part No. | |
|----------------------------------|----------------|-----------------------|------------------|----------|-------------|----------|--|--|
| | | | Strip | | Loose Piece | | Heavy Duty Miniature (HDM) Applicators (for AMP-O-LECTRIC Model G Machine, Base Part No. 354500) | Die Sets for Hand Tool 69710-1 or 626 Pneumatic Tool System* |
| | | | Pin | Socket | Pin | Socket | | |
| 14-12 2-3 | A | Standard | 213845-1 | 213847-1 | 213845-3 | 213847-3 | 680195-3 | 356612-1 |
| | B | Standard | 213845-2 | 213847-2 | 213845-4 | 213847-4 | | |
| | A | Extended [†] | 213845-5 | — | 213845-7 | — | | |
| | B | Extended [†] | 213845-6 | — | 213845-8 | — | | |
| 10-8 5-8 | A | Standard | 213841-1 | 213843-1 | 213841-3 | 213843-3 | 680197-3 | 356611-1 (8 AWG) |
| | B | Standard | 213841-2 | 213843-2 | 213841-4 | 213843-4 | | |
| | A | Extended [†] | 213841-5 | — | 213841-7 | — | | 356611-2 (10 AWG) |
| | B | Extended [†] | 213841-6 | — | 213841-8 | — | | |

[†]For use in One-Piece or Two-Piece Sealed Circular Plastic Connectors (CPC), Series 5 and 6.

‡Single contact, free-air test current; not to be construed as contact rating current. Use only for testing.

Refer to contact current carrying capability information, page 8.

Note: Standard Size 8, High Current Upgrade Size 8, and .125 POWERBAND contacts are **not** interchangeable.

*A typical 626 Pneumatic Tool System requires: a power unit (**Part No. 189721-2**, hand actuated or **189722-2**, foot actuated), an adapter holder (**Part No. 356304-1**, with ratchet), and "C" Head adapter **Part No. 318161-1**.

Specifically designed for AMP CPC Connectors, Series 5 and 6, the new .125 POWERBAND contact offers the performance of a

MIL-Spec screw machined Size 8 contact with the economy of a stamped and formed, strip-feed contact. Strip-feed contacts

offer maximum production capabilities using standard AMP bench-mount, semi-automatic termination equipment. For low volume,

prototype or maintenance and repair requirements, the .125 POWERBAND contact is available in loose piece form.

Note: All part numbers are RoHS Compliant.

Two-Piece Sealed Circular Plastic Connectors, Series 5

CPC Connectors, Series 5 Sealed – Reverse Sex



Listed part numbers are for connectors only; **contacts must be ordered separately.**

Material

Housing—Nylon, glass-filled UL rated 94V-0, black

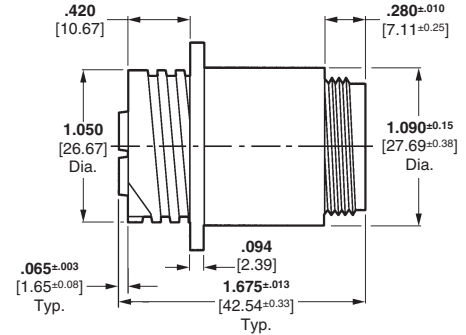
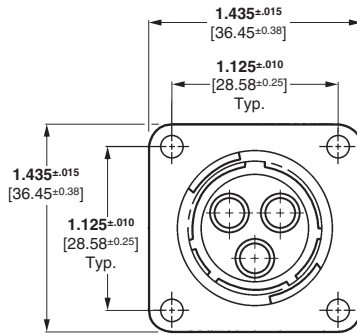
Related Product Data

- Contacts**—Pages 47
- Accessories**—Page 51
- Application Tooling**—Pages 76-79
- Technical Documents**—Page 80

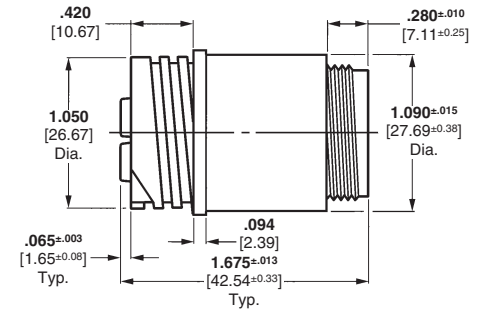
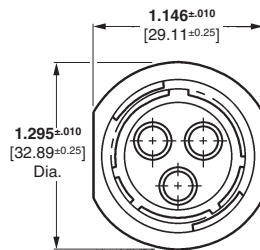
Replacement Coupling Ring

| Shell Size | Part No. |
|------------|----------|
| 17-3 | 213810-1 |

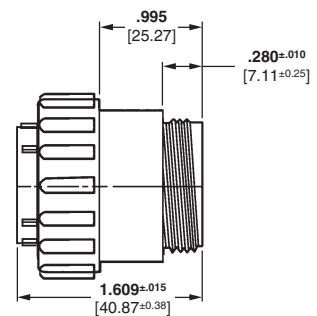
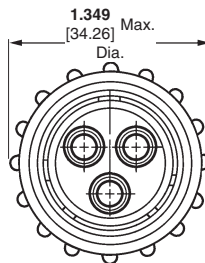
Square Flange Receptacle (Uses Flange Seal Part No. 81665-2 on page 51)



Free-Hanging Receptacle



Plug (With Full Interfacial Seal)



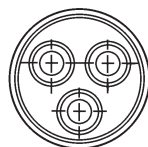
Reverse Sex (Receptacles accept socket contacts, Plugs accept pin contacts)

| Arrangement | Square Flange Receptacle | Free-Hanging Receptacle | Plug |
|----------------------------|--------------------------|-------------------------|----------|
| 17-3 - Connector | 213889-2 | 213890-2 | 213905-1 |
| 17-3 - Wire Entry Seal Kit | 213899-1 | 213899-1 | 213899-1 |

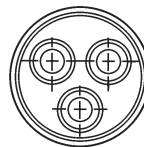
Kit includes (1) Silicon Wire Entry Seal and (1) Pressure Plate.
*Wire entry seals require cable clamp kits.

Wire Entry Seals*

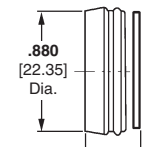
*Cable clamp kit 213902-3 required. (Similar to 206322-9. See page 38 for dimensional detail of cable clamp) or cable clamp kit 213904-3. (Similar to 206070-8. See page 38 for dimensional detail of cable clamp).



Rear View Receptacles



Rear View Plugs



Side View Plugs/Receptacles

Note: Minimum insulation diameter is .156 [3.96]; Maximum insulation diameter is .260 [6.60].

Two-Piece Sealed Circular Plastic Connectors, Series 6

CPC Connectors, Series 6 Sealed – Reverse Sex



Listed part numbers are for connectors only; **contacts must be ordered separately.**

Material

Housing—Nylon, glass-filled UL rated 94V-0, black

Related Product Data

Contacts—Pages 17-21 and 47

Accessories—Page 51

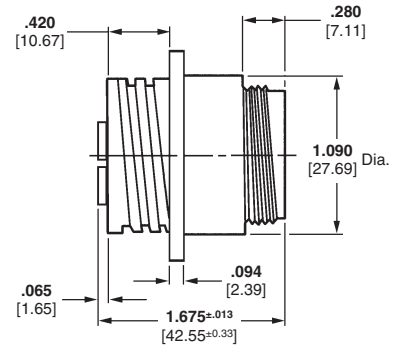
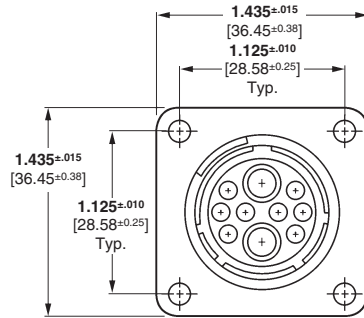
Application Tooling—Pages 76-79

Technical Documents—Page 80

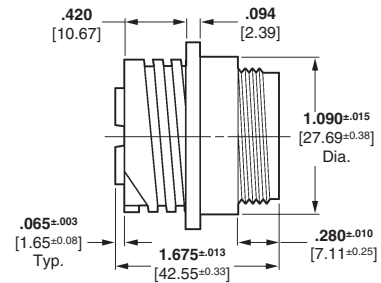
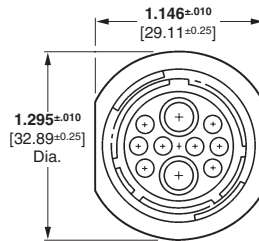
Replacement Coupling Ring

| Shell Size | Part No. |
|------------|----------|
| 17-10 | 213810-1 |

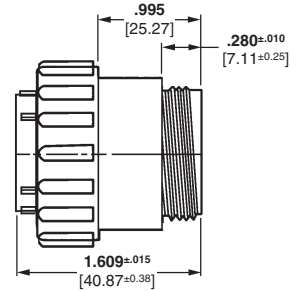
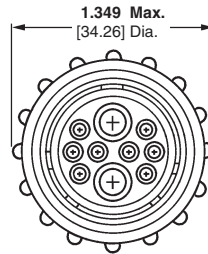
Square Flange Receptacle (Uses Flange Seal Part No. 81665-2 on page 51)



Free-Hanging Receptacle



Plug



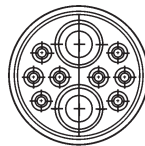
Reverse Sex (Receptacles accept socket contacts, Plugs accept pin contacts)

| Arrangement | Square Flange Receptacle | Free-Hanging Receptacle | Plug |
|---------------------------|--------------------------|-------------------------|----------|
| 17-10 Connector | 213893-2 | 213894-2 | 213906-1 |
| 17-10 Wire Entry Seal Kit | 213900-1 | 213900-1 | 213900-1 |

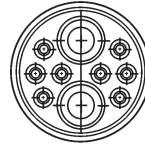
Kit includes (1) Silicon Wire Entry Seal and (1) Pressure Plate.
*Wire entry seals require cable clamp kits.

Wire Entry Seal*

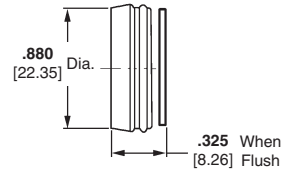
*Cable clamp kit 213902-3 required. (Similar to 206322-9. See page 38 for dimensional detail of cable clamp) or cable clamp kit 213904-3. (Similar to 206070-8. See page 38 for dimensional detail of cable clamp).



Rear View Receptacles



Rear View Plugs



Side View Plugs/Receptacles

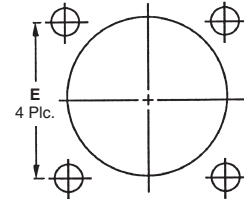
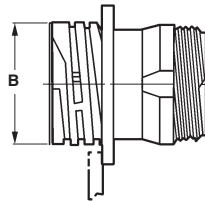
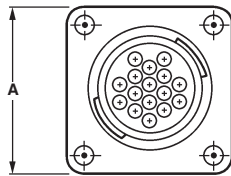
Note: Minimum insulation diameter is .156 [3.96]; maximum insulation diameter is .260 [6.60] for power contacts. Minimum insulation diameter is .060 [1.50]; maximum insulation diameter is .130 [3.30] for signal contacts.

Two-Piece Sealed Circular Plastic Connectors, Special Series 1

Sealed CPC Receptacles, Special Series 1 with Pre-Installed, Bonded Peripheral Seal

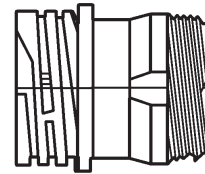
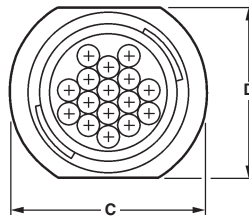


Square Flange Receptacle (Uses Flange Seal Part No. 81665-□ on page 51)



Recommended Panel Cutout

Free-Hanging Receptacle



Listed part numbers are for connectors only; **contacts must be ordered separately.**

Material and Finish

Housing—Thermoplastic, UL 94V-0 rated, black

Seal—Elastomer, gray

Related Product Data

Contacts—Pages 17-21

Contact Arrangement—Page 24

Accessories—Pages 38-42 and 51

Performance Characteristics—Page 6

Application Tooling—Pages 76-79

Technical Documents—Page 80

| Shell Size | Dimension E |
|------------|----------------|
| 11 | .844 21.44 |
| 13 | .969 24.61 |
| 17 | 1.125 28.58 |
| 23 | 1.438 36.53 |

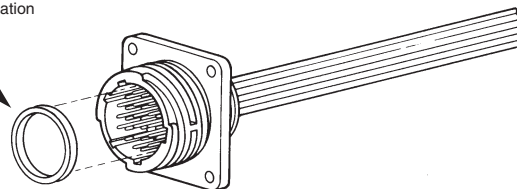
Two-Piece Sealed CPC Connectors

| Arrangement | Series I Receptacles with Peripheral Seal | | | | | | | | Mates with Plug Part No. | |
|-------------|---|-------|-------|------------------------|---------------------|------------------------------------|-------|-----------------------|--------------------------|----------|
| | Dimensions | | Sex | Square Flange Part No. | | Dimensions | | Free-Hanging Part No. | | |
| Shell Size | No. of Positions | A | | B | With Mounting Holes | With Threaded Inserts ¹ | C | | D | |
| 11-4 | 28.58 | 1.125 | .607 | Std. | 206061-2 | — | .935 | .817 | 206153-2 | 206060-1 |
| | | 28.58 | 15.42 | Rev. | 206430-3 | — | 23.75 | 20.75 | 206430-4 | 206429-1 |
| 13-7 | 32.54 | 1.281 | .812 | Std. | 211401-3 | — | 1.072 | .874 | — | 211399-1 |
| | | 32.54 | 20.62 | Std. | 206705-3 | 208131-2 | 27.23 | 22.20 | 206705-4 | 206708-1 |
| 17-16 | 36.45 | 1.435 | 1.050 | Std. | 206036-4 | — | 1.310 | 1.161 | 206036-5 | 206037-1 |
| | | 36.45 | 26.67 | Rev. | 206043-4 | — | 33.27 | 29.49 | 206043-5 | 206044-1 |
| 23-24 | 44.45 | 1.750 | 1.438 | Std. | 206838-3 | — | 1.733 | 1.505 | 206838-4 | 206837-1 |
| | | 44.45 | 36.53 | Std. | 206151-3 | — | 44.02 | 38.23 | 206151-4 | 206150-1 |
| 23-37 | | | | Rev. | 206306-3 | — | | | 206306-4 | 206305-1 |

¹Four 4-40 threaded inserts per receptacle.

- Notes:** 1. For detailed performance data on peripheral seals, refer to Product Specification No. 108-10024.
2. Receptacles mate with Series 1 plugs found on page 10.

Seal shown outside of connector for illustration purposes only.



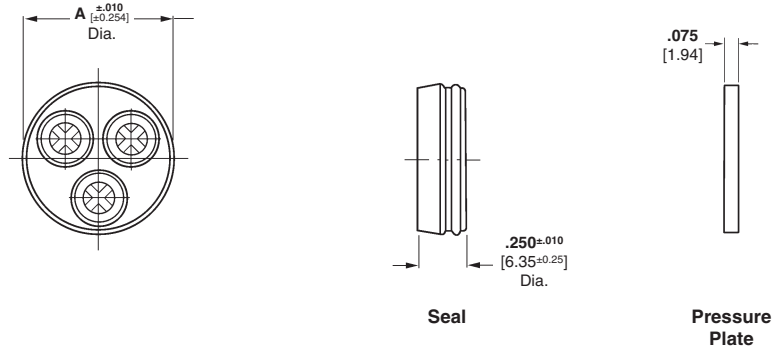
Receptacles with pre-installed, bonded peripheral seals are recommended for use in sealing/splash-proof applications, or where connectors will be subjected to vibration.

Two-Piece Circular Plastic Connector Sealing Accessories

Wire Entry Seal Kits for Plug and Receptacle Housings

Material and Finish

Seal—Silicon, black
Pressure Plate—Nylon, black



| Arrangement No. | Insulation Dia. Range | Dimension A | Kit for Pins | Kit for Sockets |
|-----------------|-------------------------------|----------------------|--------------|-----------------|
| 13-9 | .075-.125 1.91-3.18 | .681 17.30 | 213926-1 | 213925-1 |
| 17-3 | .178-.265 4.52-6.73 | .790 20.07 | 213899-1 | 213899-1 |
| 17-10 | .178-.265 4.52-6.73 | .790 20.07 | 213900-1 | 213900-1 |
| | .075-.125 1.91-3.18 | | | |
| 17-14 | .075-.125 1.91-3.16 | .790 20.07 | 213919-2 | 213919-1 |
| 17-16 | .075-.125 1.91-3.16 | .790 20.07 | 213920-2 | 213920-1 |

Notes: 1. Kits include one Gang Seal and one Pressure Plate marked for cavity identification.
2. Arrangement No. 17-10 Insulation Dia. Range **.178-.265** [4.52-6.73] for two holes, **.075-.125** [1.95-3.18] for eight holes.

Sealed CPC Connectors

One-Piece or Two-Piece Sealed CPC Sealing Accessories

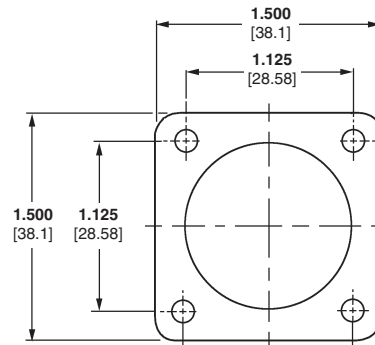
Flange Seals

Material Neoprene, black

Related Product Data

Dimensions—Shell Size 17 shown; request Customer Drawings for other sizes

| Shell Size | Part No. |
|------------|----------|
| 11 | 81665-3 |
| 13 | 81665-4 |
| 17 (shown) | 81665-2 |
| 23 | 81665-5 |



Mouser Electronics

Authorized Distributor

Click to View Pricing, Inventory, Delivery & Lifecycle Information:

[TE Connectivity:](#)

[788157-2](#)