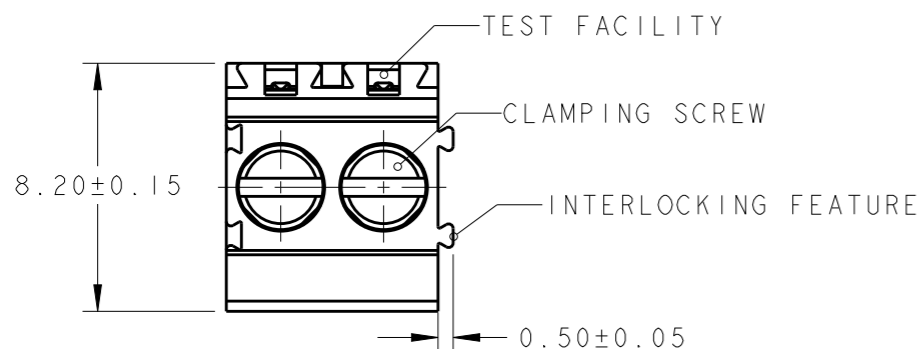


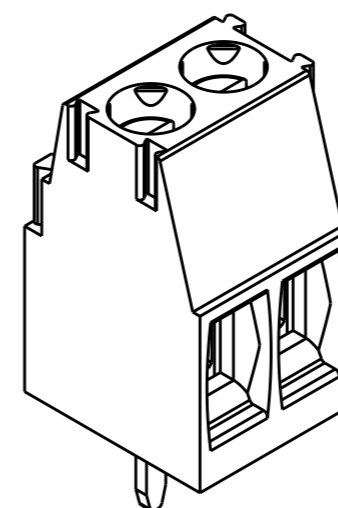
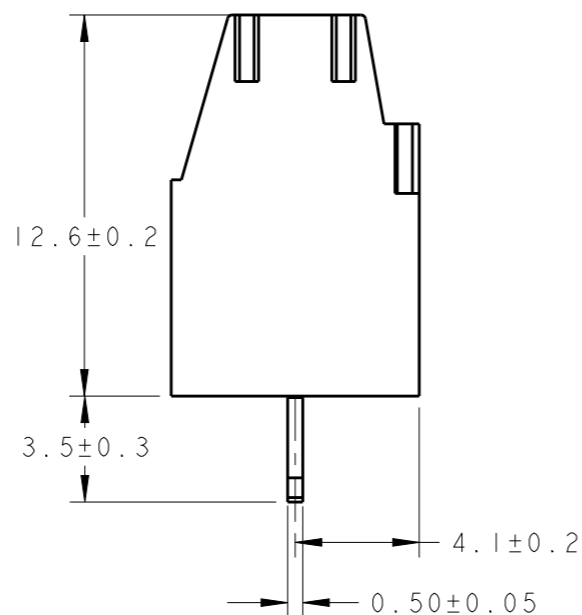
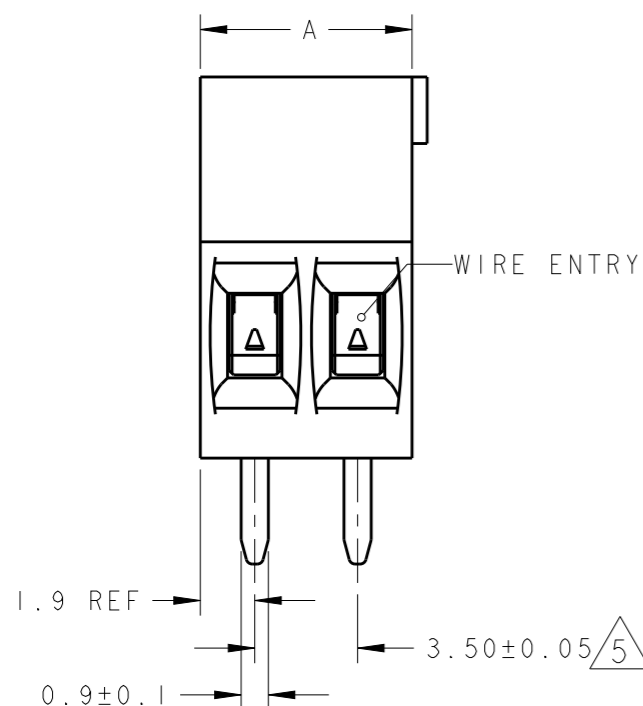
THIS DRAWING IS UNPUBLISHED. RELEASED FOR PUBLICATION 20  
 © COPYRIGHT 20 BY - ALL RIGHTS RESERVED.

LOC	DIST	REVISIONS			
P	LTR	DESCRIPTION	DATE	DWN	APVD
	B4	REVISED PER ECO-11-005027	15MAR2011	RK	HMR
	C	PACKAGING CHANGE FROM BOX TO TRAY	08SEP2017	FP	FP



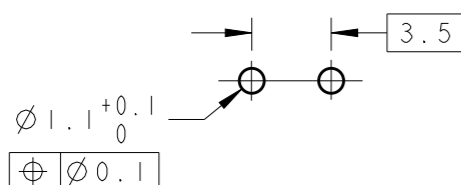
- 1 MATERIALS AND FINISH  
 HOUSING : PA 6.6, UL 94-V0, COLOR GREEN.  
 CLAMP : BRASS, NICKEL PLATED  
 TERMINAL : BRASS, TIN PLATED  
 CLAMPING SCREW : M3, BRASS, NICKEL PLATED
- 2. SUITABLE FOR 1.6-2.4 mm. PC BOARD THICKNESS.
- 3. END-TO-END STACKABLE W/INTERLOCK WITHOUT LOSS OF CENTERLINE SPACING
- 4. WIRE SIZE RANGE: 14 - 30 AWG
- 5 NOT CUMULATIVE TOLERANCE
- 6 CAGE CLAMPS TO BE IN THE CLOSED POSITION.

6	14.0	4	2-284391-8
6	10.5	3	2-284391-7
6	7.0	2	2-284391-6
	87.5	25	2-284391-5
	84.0	24	2-284391-4
	80.5	23	2-284391-3
	77.0	22	2-284391-2
	73.5	21	2-284391-1
	70.0	20	2-284391-0
	66.5	19	1-284391-9
	63.0	18	1-284391-8
	59.5	17	1-284391-7
	56.0	16	1-284391-6
	52.5	15	1-284391-5
	49.0	14	1-284391-4
	45.5	13	1-284391-3
	42.0	12	1-284391-2
	38.5	11	1-284391-1
	35.0	10	1-284391-0
	31.5	9	284391-9
	28.0	8	284391-8
	24.5	7	284391-7
	21.0	6	284391-6
	17.5	5	284391-5
	14.0	4	284391-4
	10.5	3	284391-3
	7.0	2	284391-2
DIM "A"	NO OF POS.	PART NUMBER	



284391-2 AS SHOWN

RECOMMENDED PC BOARD LAYOUT



THIS DRAWING IS A CONTROLLED DOCUMENT.		DWN E. ZANOLINI 01FEB2002		TE Connectivity	
DIMENSIONS: mm		CHK E. ZANOLINI 01FEB2002			
TOLERANCES UNLESS OTHERWISE SPECIFIED:		APVD D. BIEVENOUR 01FEB2002		NAME TERMINAL BLOCK PCB, MOUNT STRAIGHT SIDE WIRE ENTRY, STACKING W/ INTERLOCK, 3.5mm PITCH	
0 PLC ±- 1 PLC ±.3 2 PLC ±.25 3 PLC ±- 4 PLC ±- ANGLES ±2		PRODUCT SPEC 108-20166			
MATERIAL		FINISH		APPLICATION SPEC 114-20079	
				WEIGHT -	
		CUSTOMER DRAWING		SIZE A3 CAGE CODE 00779 DRAWING NO C-284391 RESTRICTED TO -	
				SCALE 4:1 SHEET 1 OF 1 REV C	

# Mouser Electronics

Authorized Distributor

Click to View Pricing, Inventory, Delivery & Lifecycle Information:

[TE Connectivity:](#)

[1-284391-0](#)