

SN65LBC175, SN75LBC175 Quadruple Low-Power Differential Line Receivers

1 Features

- Meets or exceeds the EIA standards RS-422-A, RS-423-A, RS-485, and CCITT recommendation V.11
- Designed to operate with pulse durations as short as 20 ns
- Designed for multipoint transmission on long bus lines in noisy environments
- Input sensitivity: ± 200 mV
- Low-power consumption: 20 mA maximum
- Open-circuit fail-safe design
- Common-mode input voltage range of -7 V to 12 V
- Pin compatible with SN75175 and LTC489

2 Applications

- [Factory automation](#)
- ATM and cash counters
- [Smart grid](#)
- [AC and servo motor drives](#)

3 Description

The SN65LBC175 and SN75LBC175 are monolithic, quadruple, differential line receivers with 3-state outputs designed to meet the requirements of the EIA standards RS-422-A, RS-423-A, RS-485, and CCITT Recommendation V.11. The devices are optimized for balanced multipoint bus transmission at data rates up to and exceeding 10 million bits per second. The receivers are enabled in pairs, with an active-high

enable input. Each differential receiver input features high impedance, hysteresis for increased noise immunity, and sensitivity of ± 200 mV over a common-mode input voltage range of 12 V to -7 V. The fail-safe design ensures that when the inputs are open-circuited, the outputs are always high. Both devices are designed using the TI proprietary LinBiCMOS™ technology allowing low power consumption, high switching speeds, and robustness.

These devices offer optimum performance when used with the SN75LBC172 or SN75LBC174 quadruple line drivers. The SN65LBC175 is available in the 16-pin DIP (N), small-outline package (D), and the wide small-outline package (DW). The SN75LBC175 is available in the 16-pin DIP (N) and the small-outline package (D).

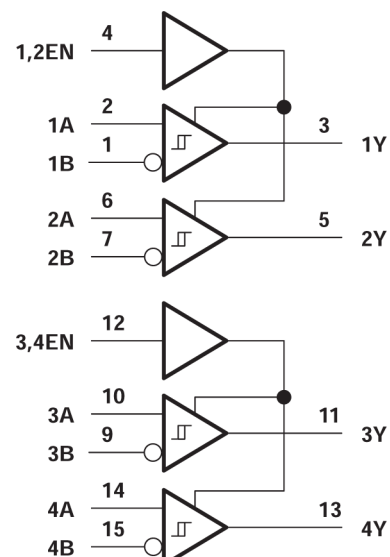
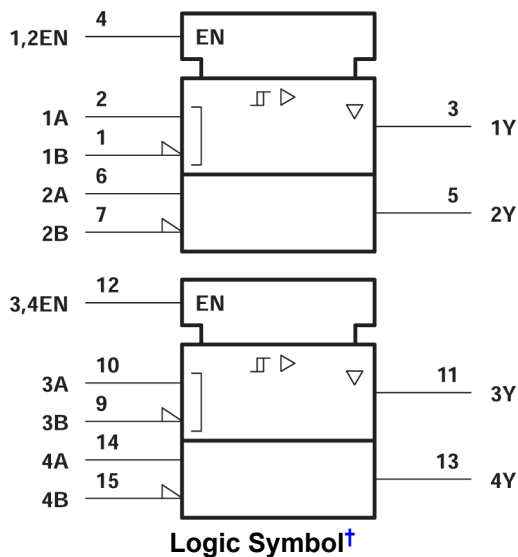
The SN65LBC175 is characterized over the industrial temperature range of -40°C to 85°C . The SN75LBC175 is characterized for operation over the commercial temperature range of 0°C to 70°C .

Package Information

PART NUMBER	PACKAGE ⁽¹⁾	PACKAGE SIZE ⁽²⁾
SN65LBC175 SN75LBC175	D (SOIC, 16)	9.9 mm × 6 mm
	DW (SOIC, 16)	10.3 mm × 10.3 mm
	N (PDIP, 16)	19.3 mm × 9.4 mm

(1) For more information see [Section 10](#).

(2) The package size (length × width) is a nominal value and includes pins, where applicable.



† This symbol is in accordance with ANSI/IEEE Std 91-1984 and IEC Publication 617-12.



Table of Contents

1 Features	1	6 Parameter Measurement Information	9
2 Applications	1	7 Detailed Description	10
3 Description	1	7.1 Device Functional Modes.....	10
4 Pin Configuration and Functions	3	8 Device and Documentation Support	11
5 Specifications	4	8.1 Receiving Notification of Documentation Updates....	11
5.1 Absolute Maximum Ratings.....	4	8.2 Support Resources.....	11
5.2 ESD Ratings.....	4	8.3 Trademarks.....	11
5.3 Dissipation Rating Table.....	4	8.4 Electrostatic Discharge Caution.....	11
5.4 Thermal Information.....	5	8.5 Glossary.....	11
5.5 Recommended Operating Conditions.....	5	9 Revision History	11
5.6 Electrical Characteristics.....	6	10 Mechanical, Packaging, and Orderable	
5.7 Switching Characteristics.....	6	Information	11
5.8 Typical Characteristics.....	7		

4 Pin Configuration and Functions

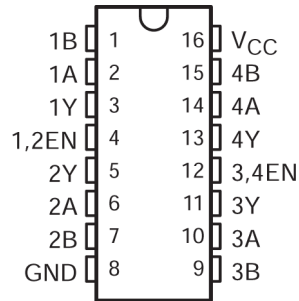


Figure 4-1. D, DW, or N Package (Top View)

Table 4-1. Pin Functions

PIN		TYPE ⁽¹⁾	DESCRIPTION
NAME	NO.		
1B	1	I	Channel 1 Inverting Differential Input
1A	2	I	Channel 1 Non-Inverting Differential Input
1Y	3	O	Channel 1 Output
1,2 EN	4	I	Channel 1 and 2 Active High Enable
2Y	5	O	Channel 2 Output
2A	6	I	Channel 2 Non-Inverting Differential Input
2B	7	I	Channel 2 Inverting Differential Input
GND	8	GND	Device Ground
3B	9	I	Channel 3 Inverting Differential Input
3A	10	I	Channel 3 Non-Inverting Differential Input
3Y	11	O	Channel 3 Output
3,4 EN	12	I	Channel 3 and 4 Active High Enable
4Y	13	O	Channel 4 Output
4A	14	I	Channel 4 Non-Inverting Differential Input
4B	15	I	Channel 4 Inverting Differential Input
V _{CC}	16	POW	Device Supply

(1) Signal Types: I = Input, O = Output, I/O = Input or Output.

5 Specifications

5.1 Absolute Maximum Ratings

over operating free-air temperature range (unless otherwise noted)⁽¹⁾

			MIN	MAX	UNIT
V _{CC} (see (2))	Supply voltage range		-0.3	7	V
V _I	Input voltage	(A or B inputs)		±25	V
V _{ID} (see (3))	Differential input voltage			±25	V
	Voltage range at Y, 1/2EN, 3/4EN		-0.3	V _{CC} + 0.5	V
	Continuous total dissipation		See Dissipation Rating Table		
T _A	Operating free-air temperature range:	SN65LBC175	-40	85	°C
		SN75LBC175	0	70	°C
T _{stg}	Storage temperature range		-65	150	°C

- (1) Stresses beyond those listed under “absolute maximum ratings” may cause permanent damage to the device. These are stress ratings only, and functional operation of the device at these or any other conditions beyond those indicated under “recommended operating conditions” is not implied. Exposure to absolute-maximum-rated conditions for extended periods may affect device reliability.
- (2) All voltage values are with respect to GND.
- (3) Differential input voltage is measured at the noninverting input with respect to the corresponding inverting input.

5.2 ESD Ratings

		VALUE	UNIT
V _(ESD)	Electrostatic discharge	Human-body model (HBM), per ANSI/ESDA/JEDEC JS-001 ⁽¹⁾	±1000
		Charged device model (CDM), per ANSI/ESDA/JEDEC JS-002 ⁽²⁾	±1500
		Machine Model (MM)	±200

- (1) JEDEC document JEP155 states that 500-V HBM allows safe manufacturing with a standard ESD control process.
- (2) JEDEC document JEP157 states that 250-V CDM allows safe manufacturing with a standard ESD control process.

over operating free-air temperature range (unless otherwise noted)

5.3 Dissipation Rating Table

PACKAGE	T _A ≤ 25°C POWER RATING	DERATING FACTOR ABOVE T _A = 25°C	T _A = 70°C POWER RATING	T _A = 85°C POWER RATING
D	1100 mW	8.7 mW/°C	709 mW	578 mW
DW	1200 mW	9.6 mW/°C	770 mW	625 mW
N	1150 mW	9.2 mW/°C	736 mW	598 mW

5.4 Thermal Information

THERMAL METRIC ⁽¹⁾		SOIC (D)	SOIC (DW)	PDIP (N)	UNIT
		16 Pins	16 Pins	16 Pins	
$R_{\theta JA}$	Junction-to-ambient thermal resistance	84.6	71.1	60.6	°C/W
$R_{\theta JC(top)}$	Junction-to-case (top) thermal resistance	43.5	37.4	48.1	°C/W
$R_{\theta JB}$	Junction-to-board thermal resistance	43.2	36.8	40.6	°C/W
Ψ_{JT}	Junction-to-top characterization parameter	10.4	13.3	27.5	°C/W
Ψ_{JB}	Junction-to-board characterization parameter	42.8	36.4	40.3	°C/W
$R_{\theta JC(bot)}$	Junction-to-case (bottom) thermal resistance	N/A	N/A	N/A	°C/W

(1) For more information about traditional and new thermal metrics, see the [Semiconductor and IC package thermal metrics](#) application report.

5.5 Recommended Operating Conditions

		MIN	NOM	MAX	UNIT
Supply voltage, V_{CC}		4.75	5	5.25	V
Common-mode input voltage, V_{IC}		-7		12	V
Differential input voltage, V_{ID}				±6	V
High-level input voltage, V_{IH}	EN inputs	2			V
Low-level input voltage, V_{IL}				0.8	V
High-level output current, I_{OH}				-8	mA
Low-level output current, I_{OL}				8	mA
Operating free-air temperature, T_A		SN65LBC175		-40	°C
		SN75LBC175		0	

5.6 Electrical Characteristics

over recommended ranges of supply voltage and operating free-air temperature (unless otherwise noted)

PARAMETER		TEST CONDITIONS			MIN	TYP ⁽¹⁾	MAX	UNIT
V_{IT+}	Positive-going input threshold voltage	$I_O = -8 \text{ mA}$			0.2			V
V_{IT-}	Negative-going input threshold voltage	$I_O = 8 \text{ mA}$			-0.2			V
V_{hys}	Hysteresis voltage ($V_{IT+} - V_{IT-}$)					45		mV
V_{IK}	Enable input clamp voltage	$I_I = -18 \text{ mA}$				-0.9	-1.5	V
V_{OH}	High-level output voltage	$V_{ID} = 200 \text{ mV}$,	$I_{OH} = -8 \text{ mA}$		3.5	4.5		V
V_{OL}	Low-level output voltage	$V_{ID} = -200 \text{ mV}$,	$I_{OL} = 8 \text{ mA}$			0.3	0.5	V
I_{OZ}	High-impedance-state output current	$V_O = 0 \text{ V to } V_{CC}$					± 20	μA
I_I	Bus input current	A or B inputs	$V_{IH} = 12 \text{ V}$,	$V_{CC} = 5 \text{ V}$,	Other inputs at 0 V	0.7	1	mA
			$V_{IH} = 12 \text{ V}$,	$V_{CC} = 0 \text{ V}$,	Other inputs at 0 V	0.8	1	
			$V_{IH} = -7 \text{ V}$,	$V_{CC} = 5 \text{ V}$,	Other inputs at 0 V	-0.5	-0.8	
			$V_{IH} = -7 \text{ V}$,	$V_{CC} = 0 \text{ V}$,	Other inputs at 0 V	-0.4	-0.8	
I_{IH}	High-level enable input current	$V_{IH} = 5 \text{ V}$					± 20	μA
I_{IL}	Low-level enable input current	$V_{IL} = 0 \text{ V}$					-20	μA
I_{OS}	Short-circuit output current	$V_O = 0$			-80		-120	mA
I_{CC}	Supply current	Outputs enabled,	$I_O = 0$,	$V_{ID} = 5 \text{ V}$		11	20	mA
		Outputs disabled				0.9	1.4	

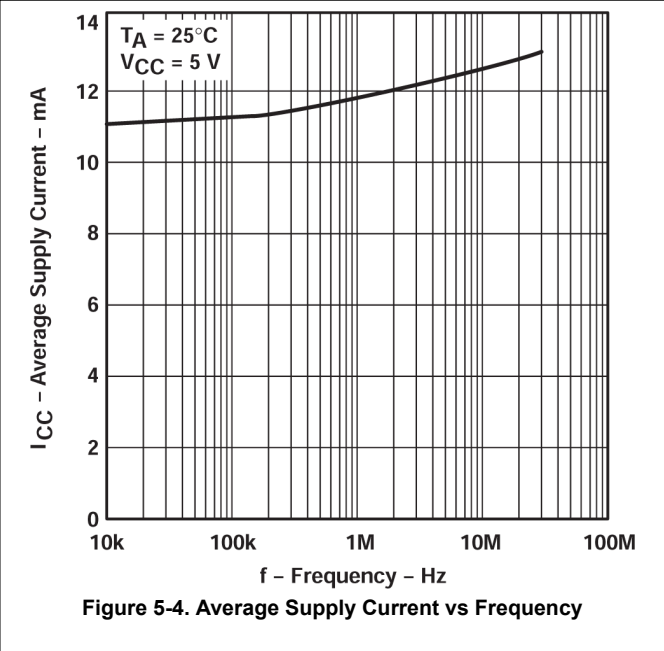
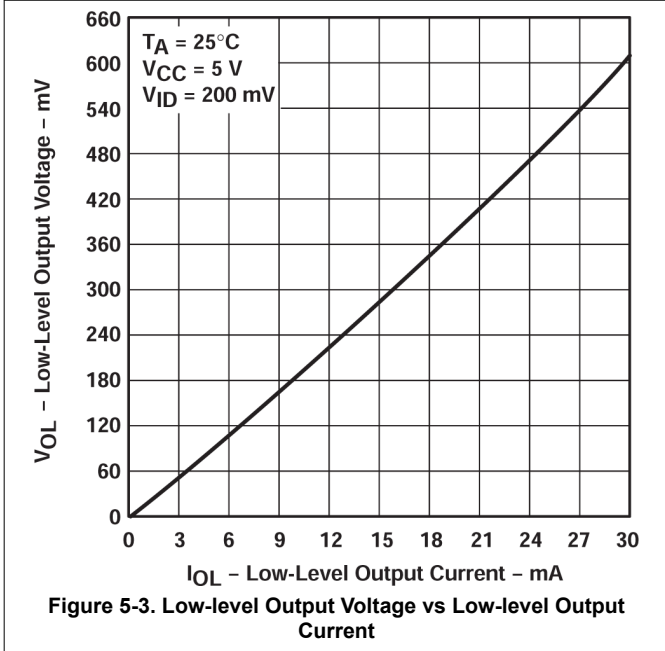
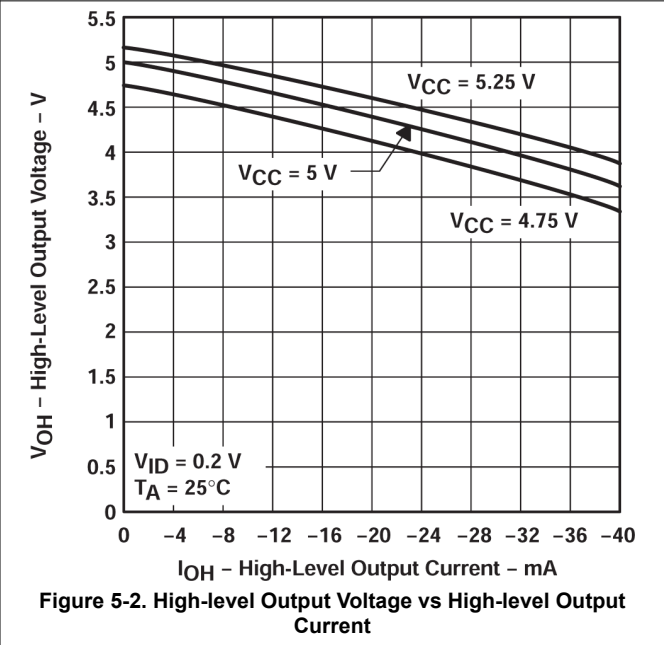
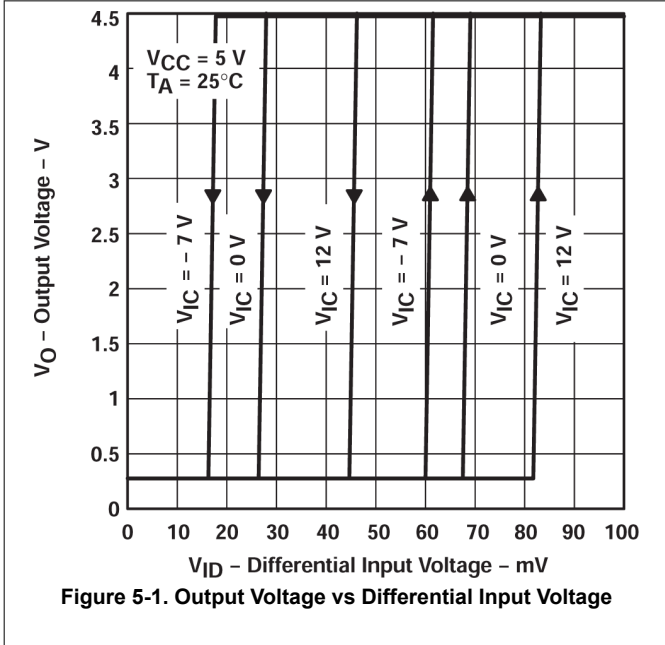
(1) All typical values are at $V_{CC} = 5 \text{ V}$ and $T_A = 25^\circ\text{C}$.

5.7 Switching Characteristics

$V_{CC} = 5 \text{ V}$, $C_L = 15 \text{ pF}$, $T_A = 25^\circ\text{C}$

PARAMETER		TEST CONDITIONS	MIN	TYP†	MAX	UNIT
t_{PHL}	Propagation delay time, high- to low-level output	$V_{ID} = -1.5 \text{ V to } 1.5 \text{ V}$, See Figure 6-1	11	22	30	ns
t_{PLH}	Propagation delay time, low- to high-level output		11	22	30	ns
t_{PZH}	Output enable time to high level	See Figure 6-2	17		30	ns
t_{PZL}	Output enable time to low level	See Figure 6-3	18		30	ns
t_{PHZ}	Output disable time from high level	See Figure 6-2	30		40	ns
t_{PLZ}	Output disable time from low level	See Figure 6-3	23		30	ns
$t_{sk(p)}$	Pulse skew ($ t_{PHL} - t_{PLH} $)	See Figure 6-2	4		6	ns
t_t	Transition time	See Figure 6-1	3		10	ns

5.8 Typical Characteristics



5.8 Typical Characteristics (continued)

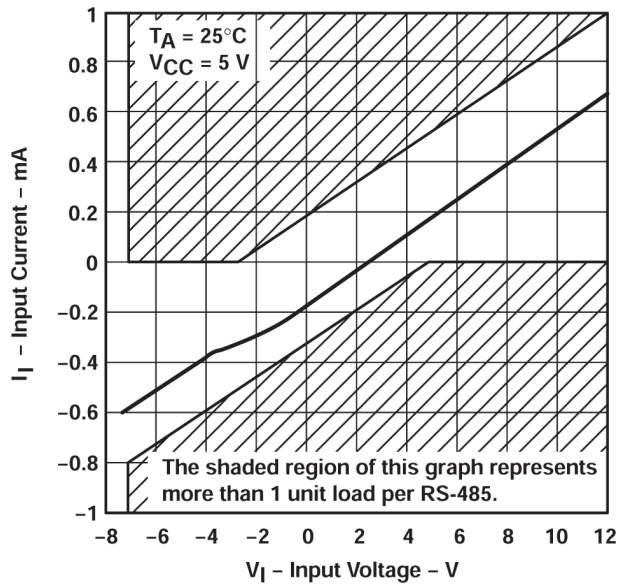


Figure 5-5. Input Current vs Input Voltage (Complementary Input at 0 v)

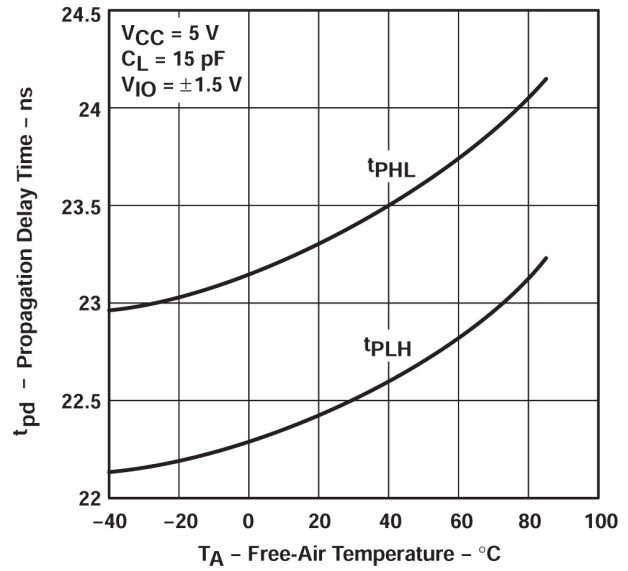


Figure 5-6. Propagation Delay Time vs Free-air Temperature

6 Parameter Measurement Information

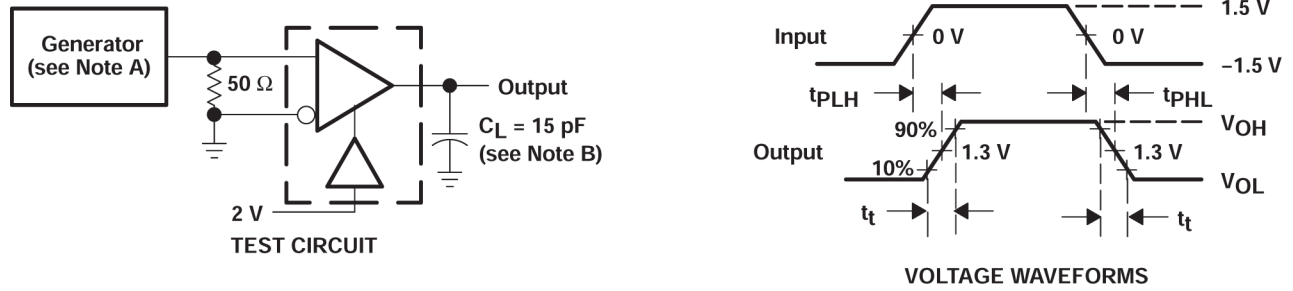
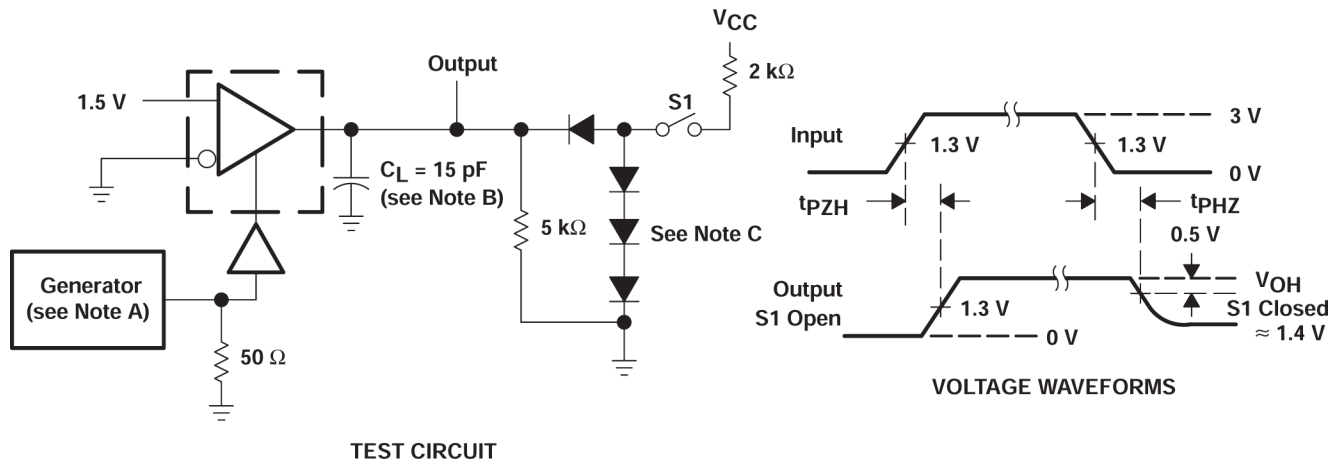
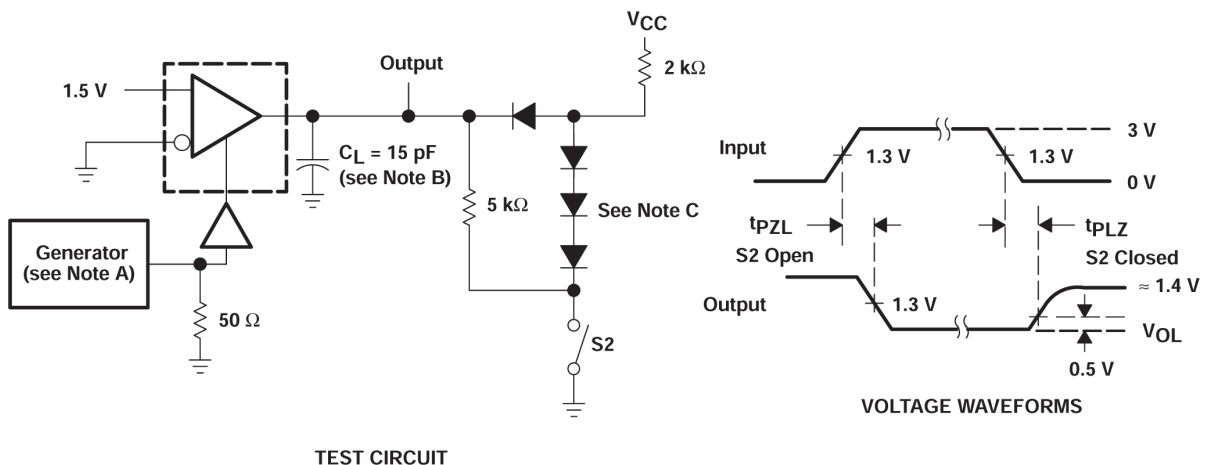


Figure 6-1. t_{PLH} and t_{PHL} Test Circuit and Voltage Waveforms



- A. The input pulse is supplied by a generator having the following characteristics: PRR = 1 MHz, duty cycle = 50%, $t_r \leq 6$ ns, $t_f \leq 6$ ns, $Z_O = 50 \Omega$.
- B. C_L includes probe and jig capacitance.
- C. All diodes are 1N916 or equivalent.

Figure 6-2. t_{PHZ} and t_{PZH} Test Circuit and Voltage Waveforms



- A. The input pulse is supplied by a generator having the following characteristics: PRR = 1 MHz, duty cycle = 50%, $t_r \leq 6$ ns, $t_f \leq 6$ ns, $Z_O = 50 \Omega$.
- B. C_L includes probe and jig capacitance.
- C. All diodes are 1N916 or equivalent.

Figure 6-3. t_{PZL} and t_{PLZ} Test Circuit and Voltage Waveforms

7 Detailed Description

7.1 Device Functional Modes

Table 7-1. Function Table (Each Receiver)

DIFFERENTIAL INPUTS	ENABLE ⁽¹⁾	OUTPUT
A-B		Y
$V_{ID} \geq 0.2\text{ V}$	H	H
$-0.2\text{ V} < V_{ID} < 0.2\text{ V}$	H	?
$V_{ID} \leq -0.2\text{ V}$	H	L
X	L	Z
Open circuit	H	H

(1) H = high level, L = low level, X = irrelevant, Z = high impedance (off), ? = indeterminate

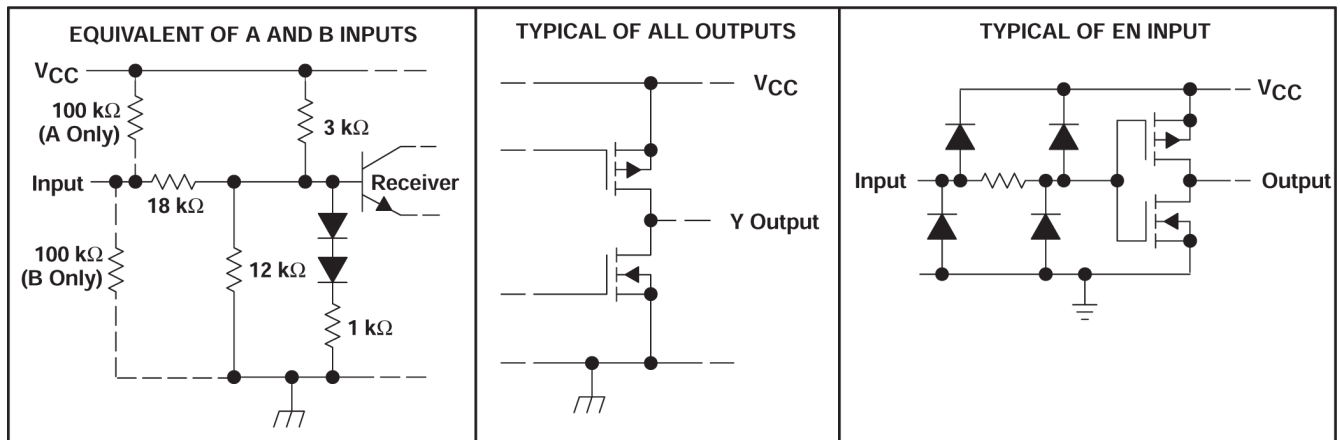


Figure 7-1. Schematics of Inputs and Outputs

8 Device and Documentation Support

TI offers an extensive line of development tools. Tools and software to evaluate the performance of the device, generate code, and develop solutions are listed below.

8.1 Receiving Notification of Documentation Updates

To receive notification of documentation updates, navigate to the device product folder on ti.com. Click on *Subscribe to updates* to register and receive a weekly digest of any product information that has changed. For change details, review the revision history included in any revised document.

8.2 Support Resources

[TI E2E™ support forums](#) are an engineer's go-to source for fast, verified answers and design help — straight from the experts. Search existing answers or ask your own question to get the quick design help you need.

Linked content is provided "AS IS" by the respective contributors. They do not constitute TI specifications and do not necessarily reflect TI's views; see TI's [Terms of Use](#).

8.3 Trademarks

TI E2E™ is a trademark of Texas Instruments.
All trademarks are the property of their respective owners.

8.4 Electrostatic Discharge Caution



This integrated circuit can be damaged by ESD. Texas Instruments recommends that all integrated circuits be handled with appropriate precautions. Failure to observe proper handling and installation procedures can cause damage.

ESD damage can range from subtle performance degradation to complete device failure. Precision integrated circuits may be more susceptible to damage because very small parametric changes could cause the device not to meet its published specifications.

8.5 Glossary

[TI Glossary](#) This glossary lists and explains terms, acronyms, and definitions.

9 Revision History

NOTE: Page numbers for previous revisions may differ from page numbers in the current version.

Changes from Revision G (March 2009) to Revision H (November 2023)	Page
• Changed the numbering format for tables, figures, and cross-references throughout the document.....	1

10 Mechanical, Packaging, and Orderable Information

The following pages include mechanical, packaging, and orderable information. This information is the most current data available for the designated devices. This data is subject to change without notice and revision of this document. For browser-based versions of this data sheet, refer to the left-hand navigation.

PACKAGING INFORMATION

Orderable Device	Status (1)	Package Type	Package Drawing	Pins	Package Qty	Eco Plan (2)	Lead finish/ Ball material (6)	MSL Peak Temp (3)	Op Temp (°C)	Device Marking (4/5)	Samples
SN65LBC175D	LIFEBUY	SOIC	D	16	40	RoHS & Green	NIPDAU	Level-1-260C-UNLIM	-40 to 85	65LBC175	
SN65LBC175DG4	LIFEBUY	SOIC	D	16	40	RoHS & Green	NIPDAU	Level-1-260C-UNLIM	-40 to 85	65LBC175	
SN65LBC175DR	ACTIVE	SOIC	D	16	2500	RoHS & Green	NIPDAU	Level-1-260C-UNLIM	-40 to 85	65LBC175	Samples
SN65LBC175DW	LIFEBUY	SOIC	DW	16	40	RoHS & Green	NIPDAU	Level-1-260C-UNLIM	-40 to 85	65LBC175	
SN65LBC175DWG4	LIFEBUY	SOIC	DW	16	40	RoHS & Green	NIPDAU	Level-1-260C-UNLIM	-40 to 85	65LBC175	
SN65LBC175DWR	ACTIVE	SOIC	DW	16	2000	RoHS & Green	NIPDAU	Level-1-260C-UNLIM	-40 to 85	65LBC175	Samples
SN65LBC175N	ACTIVE	PDIP	N	16	25	RoHS & Green	NIPDAU	N / A for Pkg Type	-40 to 85	SN65LBC175N	Samples
SN75LBC175D	LIFEBUY	SOIC	D	16	40	RoHS & Green	NIPDAU	Level-1-260C-UNLIM	0 to 70	75LBC175	
SN75LBC175DR	LIFEBUY	SOIC	D	16	2500	RoHS & Green	NIPDAU	Level-1-260C-UNLIM	0 to 70	75LBC175	
SN75LBC175N	ACTIVE	PDIP	N	16	25	RoHS & Green	NIPDAU	N / A for Pkg Type	0 to 70	SN75LBC175N	Samples

(1) The marketing status values are defined as follows:

ACTIVE: Product device recommended for new designs.

LIFEBUY: TI has announced that the device will be discontinued, and a lifetime-buy period is in effect.

NRND: Not recommended for new designs. Device is in production to support existing customers, but TI does not recommend using this part in a new design.

PREVIEW: Device has been announced but is not in production. Samples may or may not be available.

OBSELETE: TI has discontinued the production of the device.

(2) **RoHS:** TI defines "RoHS" to mean semiconductor products that are compliant with the current EU RoHS requirements for all 10 RoHS substances, including the requirement that RoHS substance do not exceed 0.1% by weight in homogeneous materials. Where designed to be soldered at high temperatures, "RoHS" products are suitable for use in specified lead-free processes. TI may reference these types of products as "Pb-Free".

RoHS Exempt: TI defines "RoHS Exempt" to mean products that contain lead but are compliant with EU RoHS pursuant to a specific EU RoHS exemption.

Green: TI defines "Green" to mean the content of Chlorine (Cl) and Bromine (Br) based flame retardants meet JS709B low halogen requirements of <=1000ppm threshold. Antimony trioxide based flame retardants must also meet the <=1000ppm threshold requirement.

(3) MSL, Peak Temp. - The Moisture Sensitivity Level rating according to the JEDEC industry standard classifications, and peak solder temperature.

(4) There may be additional marking, which relates to the logo, the lot trace code information, or the environmental category on the device.

(5) Multiple Device Markings will be inside parentheses. Only one Device Marking contained in parentheses and separated by a "~" will appear on a device. If a line is indented then it is a continuation of the previous line and the two combined represent the entire Device Marking for that device.

⁽⁶⁾ Lead finish/Ball material - Orderable Devices may have multiple material finish options. Finish options are separated by a vertical ruled line. Lead finish/Ball material values may wrap to two lines if the finish value exceeds the maximum column width.

Important Information and Disclaimer:The information provided on this page represents TI's knowledge and belief as of the date that it is provided. TI bases its knowledge and belief on information provided by third parties, and makes no representation or warranty as to the accuracy of such information. Efforts are underway to better integrate information from third parties. TI has taken and continues to take reasonable steps to provide representative and accurate information but may not have conducted destructive testing or chemical analysis on incoming materials and chemicals. TI and TI suppliers consider certain information to be proprietary, and thus CAS numbers and other limited information may not be available for release.

In no event shall TI's liability arising out of such information exceed the total purchase price of the TI part(s) at issue in this document sold by TI to Customer on an annual basis.

OTHER QUALIFIED VERSIONS OF SN75LBC175 :

- Military : [SN55LBC175](#)

NOTE: Qualified Version Definitions:

- Military - QML certified for Military and Defense Applications

TAPE AND REEL INFORMATION

QUADRANT ASSIGNMENTS FOR PIN 1 ORIENTATION IN TAPE


*All dimensions are nominal

Device	Package Type	Package Drawing	Pins	SPQ	Reel Diameter (mm)	Reel Width W1 (mm)	A0 (mm)	B0 (mm)	K0 (mm)	P1 (mm)	W (mm)	Pin1 Quadrant
SN65LBC175DR	SOIC	D	16	2500	330.0	16.4	6.5	10.3	2.1	8.0	16.0	Q1
SN65LBC175DWR	SOIC	DW	16	2000	330.0	16.4	10.75	10.7	2.7	12.0	16.0	Q1
SN75LBC175DR	SOIC	D	16	2500	330.0	16.4	6.5	10.3	2.1	8.0	16.0	Q1
SN75LBC175DR	SOIC	D	16	2500	330.0	16.4	6.5	10.3	2.1	8.0	16.0	Q1

TAPE AND REEL BOX DIMENSIONS


*All dimensions are nominal

Device	Package Type	Package Drawing	Pins	SPQ	Length (mm)	Width (mm)	Height (mm)
SN65LBC175DR	SOIC	D	16	2500	353.0	353.0	32.0
SN65LBC175DWR	SOIC	DW	16	2000	350.0	350.0	43.0
SN75LBC175DR	SOIC	D	16	2500	340.5	336.1	32.0
SN75LBC175DR	SOIC	D	16	2500	350.0	350.0	43.0

TUBE


*All dimensions are nominal

Device	Package Name	Package Type	Pins	SPQ	L (mm)	W (mm)	T (μm)	B (mm)
SN65LBC175D	D	SOIC	16	40	505.46	6.76	3810	4
SN65LBC175D	D	SOIC	16	40	507	8	3940	4.32
SN65LBC175DG4	D	SOIC	16	40	507	8	3940	4.32
SN65LBC175DG4	D	SOIC	16	40	505.46	6.76	3810	4
SN65LBC175DW	DW	SOIC	16	40	506.98	12.7	4826	6.6
SN65LBC175DWG4	DW	SOIC	16	40	506.98	12.7	4826	6.6
SN65LBC175N	N	PDIP	16	25	506	13.97	11230	4.32
SN75LBC175D	D	SOIC	16	40	505.46	6.76	3810	4
SN75LBC175D	D	SOIC	16	40	507	8	3940	4.32
SN75LBC175N	N	PDIP	16	25	506	13.97	11230	4.32

GENERIC PACKAGE VIEW

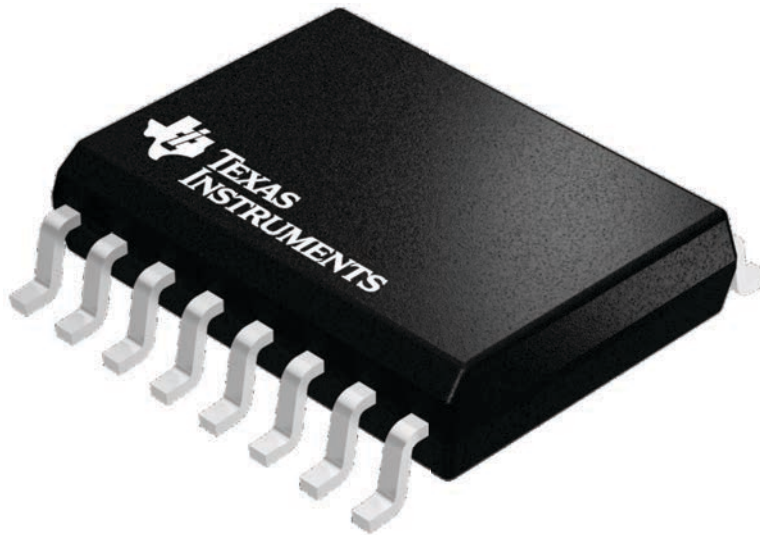
DW 16

SOIC - 2.65 mm max height

7.5 x 10.3, 1.27 mm pitch

SMALL OUTLINE INTEGRATED CIRCUIT

This image is a representation of the package family, actual package may vary.
Refer to the product data sheet for package details.



4224780/A

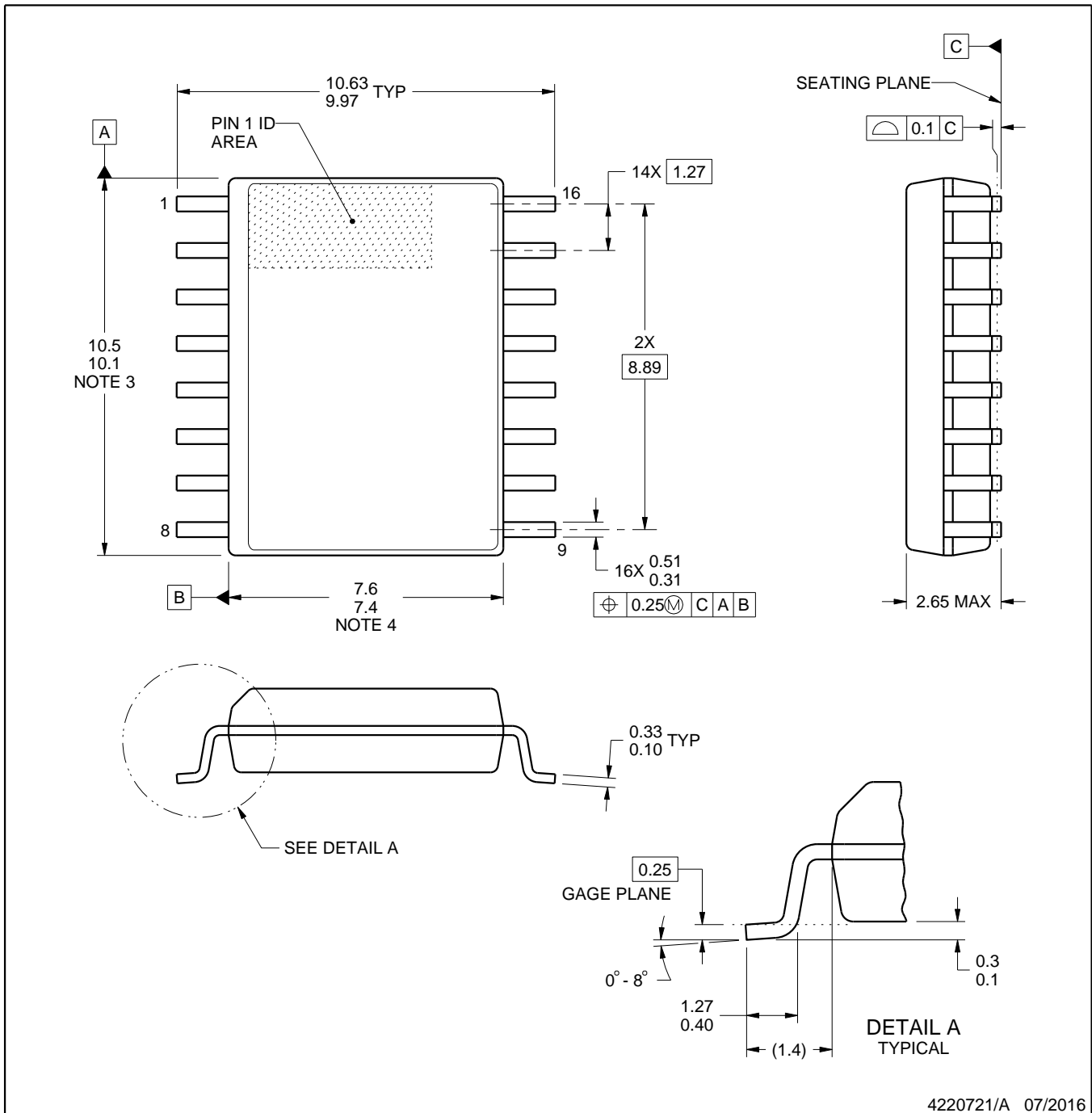


DW0016A

PACKAGE OUTLINE

SOIC - 2.65 mm max height

SOIC



4220721/A 07/2016

NOTES:

1. All linear dimensions are in millimeters. Dimensions in parenthesis are for reference only. Dimensioning and tolerancing per ASME Y14.5M.
2. This drawing is subject to change without notice.
3. This dimension does not include mold flash, protrusions, or gate burrs. Mold flash, protrusions, or gate burrs shall not exceed 0.15 mm, per side.
4. This dimension does not include interlead flash. Interlead flash shall not exceed 0.25 mm, per side.
5. Reference JEDEC registration MS-013.

EXAMPLE BOARD LAYOUT

DW0016A

SOIC - 2.65 mm max height

SOIC



LAND PATTERN EXAMPLE
SCALE:7X



SOLDER MASK DETAILS

4220721/A 07/2016

NOTES: (continued)

6. Publication IPC-7351 may have alternate designs.

7. Solder mask tolerances between and around signal pads can vary based on board fabrication site.

EXAMPLE STENCIL DESIGN

DW0016A

SOIC - 2.65 mm max height

SOIC



SOLDER PASTE EXAMPLE
BASED ON 0.125 mm THICK STENCIL
SCALE:7X

4220721/A 07/2016

NOTES: (continued)

8. Laser cutting apertures with trapezoidal walls and rounded corners may offer better paste release. IPC-7525 may have alternate design recommendations.
9. Board assembly site may have different recommendations for stencil design.

N (R-PDIP-T**)

PLASTIC DUAL-IN-LINE PACKAGE

16 PINS SHOWN



- NOTES:
- A. All linear dimensions are in inches (millimeters).
 - B. This drawing is subject to change without notice.
 - $\triangle C$ Falls within JEDEC MS-001, except 18 and 20 pin minimum body length (Dim A).
 - $\triangle D$ The 20 pin end lead shoulder width is a vendor option, either half or full width.

4040049/E 12/2002

IMPORTANT NOTICE AND DISCLAIMER

TI PROVIDES TECHNICAL AND RELIABILITY DATA (INCLUDING DATA SHEETS), DESIGN RESOURCES (INCLUDING REFERENCE DESIGNS), APPLICATION OR OTHER DESIGN ADVICE, WEB TOOLS, SAFETY INFORMATION, AND OTHER RESOURCES "AS IS" AND WITH ALL FAULTS, AND DISCLAIMS ALL WARRANTIES, EXPRESS AND IMPLIED, INCLUDING WITHOUT LIMITATION ANY IMPLIED WARRANTIES OF MERCHANTABILITY, FITNESS FOR A PARTICULAR PURPOSE OR NON-INFRINGEMENT OF THIRD PARTY INTELLECTUAL PROPERTY RIGHTS.

These resources are intended for skilled developers designing with TI products. You are solely responsible for (1) selecting the appropriate TI products for your application, (2) designing, validating and testing your application, and (3) ensuring your application meets applicable standards, and any other safety, security, regulatory or other requirements.

These resources are subject to change without notice. TI grants you permission to use these resources only for development of an application that uses the TI products described in the resource. Other reproduction and display of these resources is prohibited. No license is granted to any other TI intellectual property right or to any third party intellectual property right. TI disclaims responsibility for, and you will fully indemnify TI and its representatives against, any claims, damages, costs, losses, and liabilities arising out of your use of these resources.

TI's products are provided subject to [TI's Terms of Sale](#) or other applicable terms available either on [ti.com](https://www.ti.com) or provided in conjunction with such TI products. TI's provision of these resources does not expand or otherwise alter TI's applicable warranties or warranty disclaimers for TI products.

TI objects to and rejects any additional or different terms you may have proposed.

Mailing Address: Texas Instruments, Post Office Box 655303, Dallas, Texas 75265
Copyright © 2024, Texas Instruments Incorporated