

4

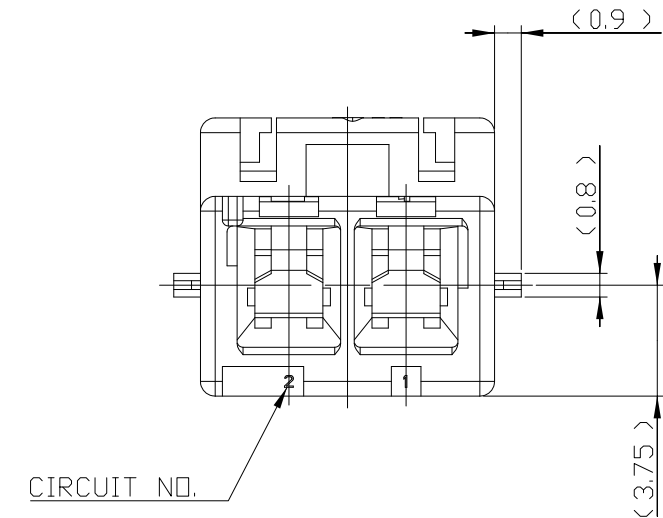
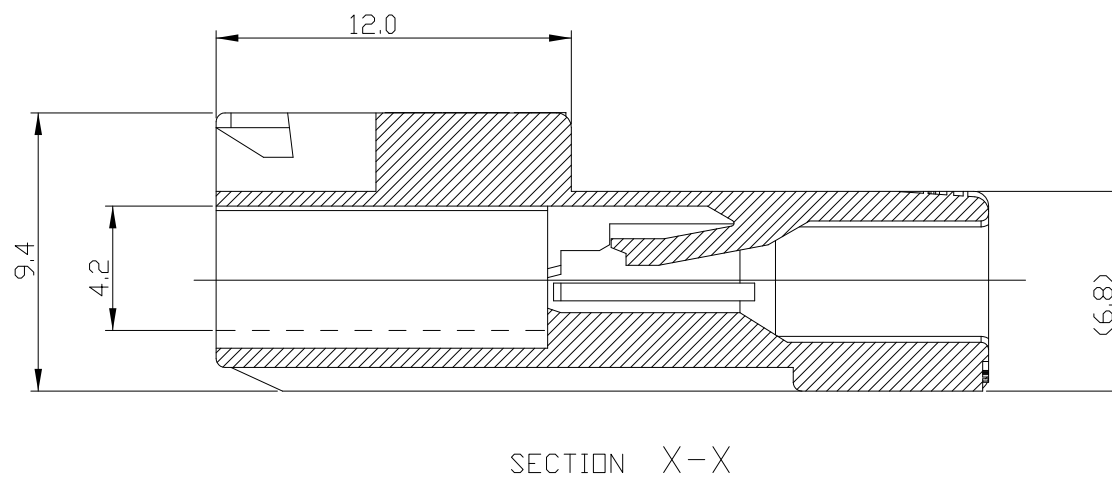
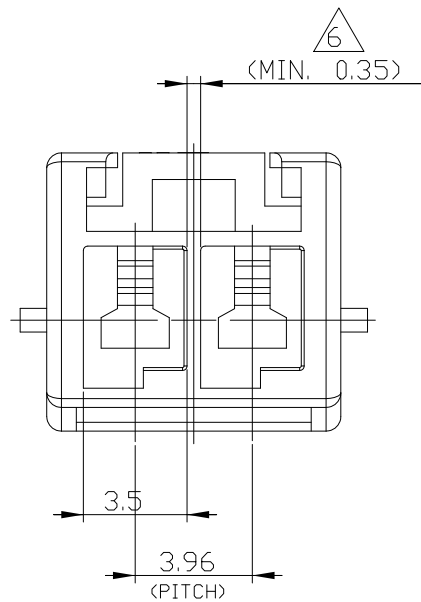
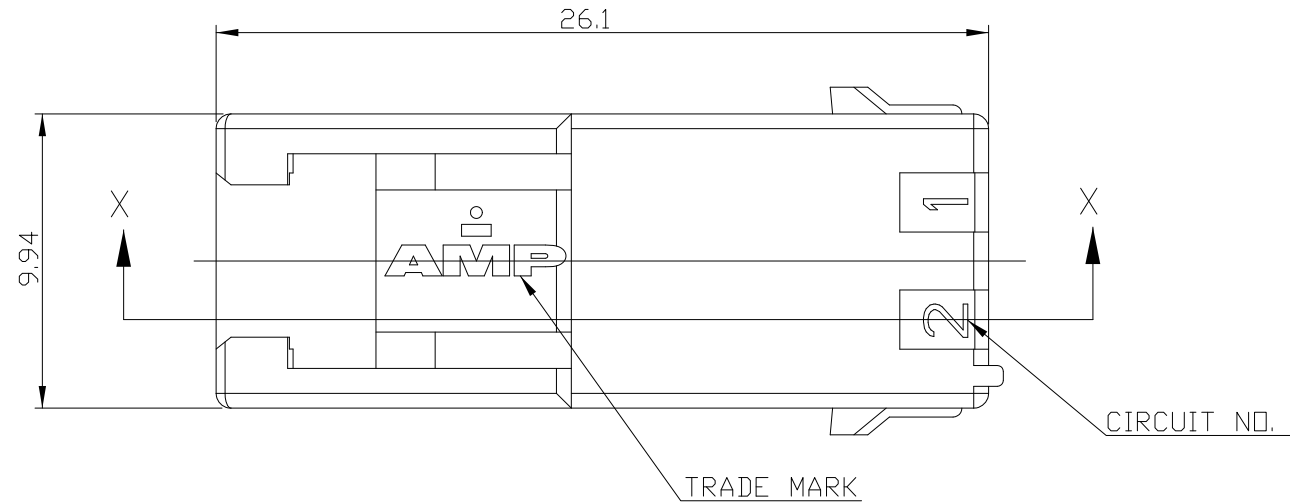
3

2

1

THIS DRAWING IS UNPUBLISHED. RELEASED FOR PUBLICATION 20  
© COPYRIGHT 20 BY TYCO ELECTRONICS CORPORATION. ALL RIGHTS RESERVED.

LOC	DIST	REVISIONS			
P	LTR	DESCRIPTION	DATE	DWN	APVD
DS	-	A	RELEASED	29.MAY'09	SC JK



NOTE;  
 1.APPLICABLE CONTACT P/N  
 -TAB CONTACT:177917- □(AWG#16-#20)  
 177916- □(AWG#22-#26)  
 2.MATING CONN.P/N  
 -PLUG HSG:2005247- □  
 -REC CONTACT:177915- □(AWG#16-#20)  
 :177914- □(AWG#22-#26)  
 3.APPLICABLE DOUBLE LOCK PLATE:  
 177918-1(V-0) / □-368590-1(V-2,GWT)  
 \*IT SHOULD BE USED CERTAINLY WHEN CABLE ASS'Y  
 4.GENERAL TOLERANCES:±0.3  
 5.ACCORDING TO IEC 60335-1 4.2 EDITION  
 -PART MEETS GWT 750°C,850°C.  
 -MATERIAL MEETS BALL PRESSURE TESTING AT 125°C.  
 -MATERIAL HAS CTI VALUE OF 250V.  
 6.MIN.THICKNESS OF INSULATING WALL

2005248-9	BLACK
2005248-6	BLUE
2005248-4	YELLOW
2005248-2	RED
2005248-1	NATURAL
P/N	COLOR

<small>THIS DRAWING IS A CONTROLLED DOCUMENT FOR TYCO ELECTRONICS CORPORATION IT IS SUBJECT TO CHANGE AND THE CONTROLLING ENGINEERING ORGANIZATION SHOULD BE CONTACTED FOR THE LATEST REVISION.</small>		DWN SC KIM CHK BW KANG APVD JK SONG PRODUCT SPEC 108-61106 APPLICATION SPEC - WEIGHT -		<b>Tyco Electronics</b> AMP KOREA Kyungsan, Korea	
DIMENSIONS: mm 		TOLERANCES UNLESS OTHERWISE SPECIFIED: 0 PLC ±- 1 PLC ±0.1 2 PLC ±0.01 3 PLC ±0.001 4 PLC ±0.0001 ANGLES ±-		NAME PDL 2P CAP HSG 3.96mm F/H (GWT) SIZE A3 CAGE CODE 00779 DRAWING NO. 2005248 RESTRICTED TO -	
MATERIAL PA66(UL94V-0) FINISH -		CUSTOMER DRAWING		SCALE 4:1 SHEET 1 OF 1 REV A	

# Mouser Electronics

Authorized Distributor

Click to View Pricing, Inventory, Delivery & Lifecycle Information:

[TE Connectivity:](#)

[2005248-1](#)