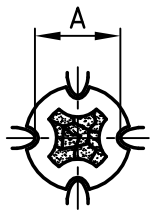
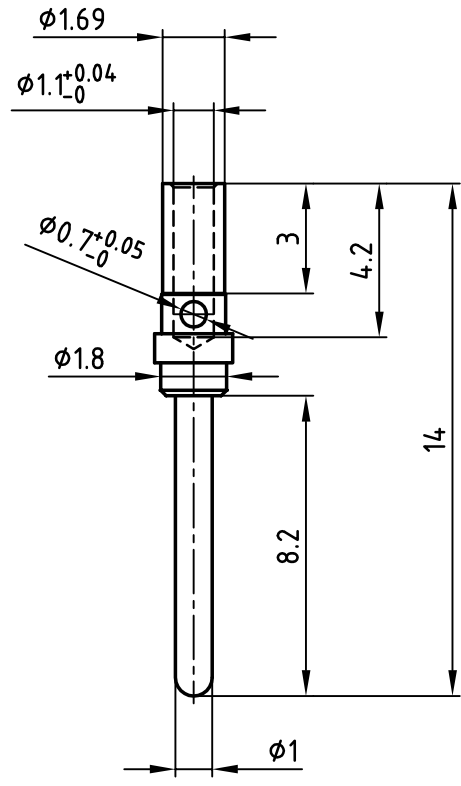


used for: D-SUB COMBINATION



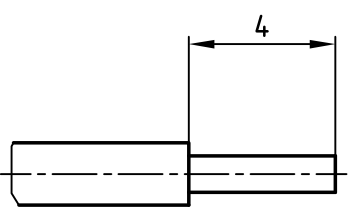
Selector settings	Crimp height A
7 for AWG 20	0.87 - 0.98
6 for AWG 22	0.77 - 0.88
5 for AWG 24	0.67 - 0.78



Plating	Part-NO.
min. 8µin HARD GOLD OVER min. 50µin NICKEL	131A15019X
min. 20µin HARD GOLD OVER min. 50µin NICKEL	131B15019X
min. 30µin HARD GOLD OVER min. 50µin NICKEL	131C15019X
min. 50µin HARD GOLD OVER min. 50µin NICKEL	131J15019X

Directive 2002/95/EC
"RoHS"
Compliant

(b) STRIPPING DIMENSION



NOTES:

1. MATERIAL: COPPER ALLOY
2. PLATING: SEE TABLE
- (b) 3. CRIMPING: USE CRIMP TOOL 360X10329X WITH TOOL INSERT 360X20039X
SELECTOR SETTINGS: 7 FOR AWG 20
6 FOR AWG 22
5 FOR AWG 24

THIS DRAWING MAY NOT BE COPIED OR REPRODUCED IN ANY WAY, AND MAY NOT BE PASSED ON TO A THIRD PARTY WITHOUT WRITTEN PERMISSION.
 OWNERSHIP AND COPYRIGHT OF CONEC GmbH
 DO NOT ALTER CAD DRAWING BY HAND

				tolerance				scale:	5:1	
2002	date	name						material:	SEE NOTES	
drawn	30.01.	Parei						title:	SIGNAL CRIMP CONTACT MALE CONTACT Wire Size 20-24	
appd.	30.01.	E. Mickenbecker						dwg no:		AutoCAD 2000
norm								DIN-A		4
1 x d	Ä 3703	02.08.2010	K.H.	d-old						sh: 1/1
1 x c	Ä 2197	01.04.2005	Lehmen					part no:	SEE TABLE	
2 x b	Ä 2177	02.03.2005	Lehmen							
rev.	description	date	name							



title: **SIGNAL CRIMP CONTACT**
 MALE CONTACT
 Wire Size 20-24
 dwg no: AutoCAD 2000
 DIN-A 4
 sh: 1/1
 part no: SEE TABLE

Mouser Electronics

Authorized Distributor

Click to View Pricing, Inventory, Delivery & Lifecycle Information:

[CONEC:](#)

[131C15019X](#)