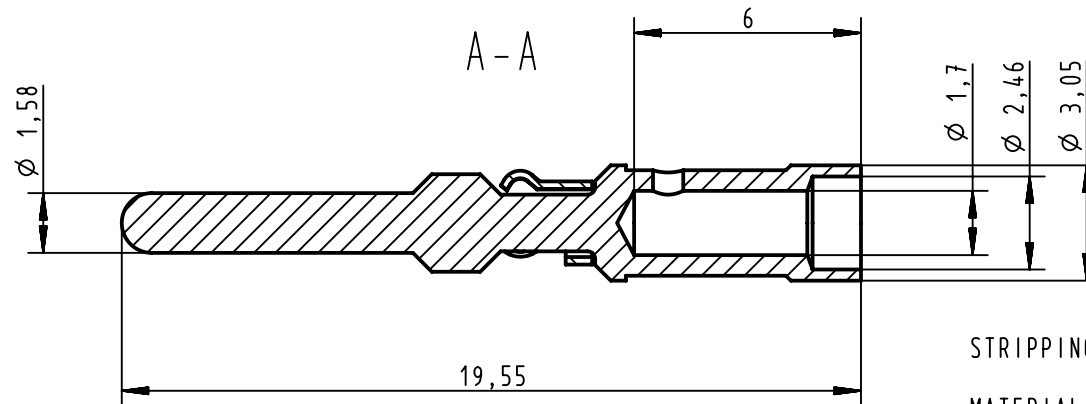


Retention clip



STRIPPING LENGTH: 5mm

MATERIAL:
contact: brass
retention clip: stainless steel

PLATING:
contact: Ni/Au
retention clip: raw material

SCALE 1:1



	All rights reserved Department EC PD - FR	All Dimensions in mm Original Size DIN A4			Scale 5:1	Free size tol.	Ref.
					Created by DOUGE	Inspected by BAGDIKIAN	Standardisation KOHLER
HARTING Electronics GmbH D-32339 Espelkamp		Title HPP V4 Power crimp cont. male 1mm ² (AWG18)				Doc-Key / ECM-Nr. 100507322/UGD/001/A 50000053558	
		Type TB	Number 09465000407			Rev. A	Page 1/1

Mouser Electronics

Authorized Distributor

Click to View Pricing, Inventory, Delivery & Lifecycle Information:

[HARTING:](#)

[09465000407](#)