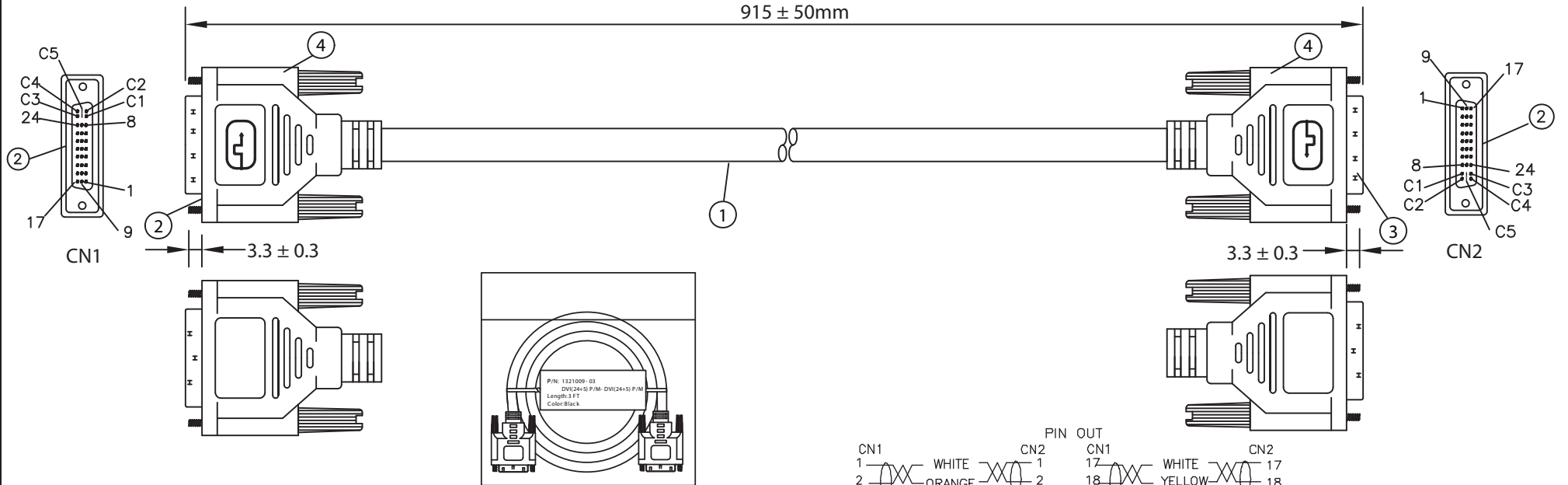


THESE DRAWINGS ARE THE PROPERTY OF QUALTEK ELECTRONICS AND NOT TO BE REPRODUCED FOR OR COMMUNICATED TO A THIRD PARTY WITHOUT THE EXPRESS WRITTEN PERMISSION OF AN OFFICER OF QUALTEK ELECTRONICS.

REVISION			
REV.	DESCRIPTION	DATE	APPROVED
A	Changed Cable Spec	03-12-07	DP
B	Updated Pin Out, Notes and Graphics	08-27-15	LY
C	Updated Pin Out	10-04-17	LY



NOTES:

- CABLE: UL20276
(28AWG*1PR+EAM)*7+(28AWG*1PR+SAM)*3+28AWG*1PR
+28AWG*5C+AEB(AL) 65%
PVC OUTER JACKET: BLACK, OD: 9.5 ± 0.3mm
- CONNECTOR: DVI 24+5 MALE
INSULATOR: BLACK
PIN G/F
NICKEL PLATED SHELL
THUMB SCREW: E4*28.5mm #4-40UNC
- CONNECTOR: DVI 24+5 MALE
INSULATOR: BLACK
PIN G/F
NICKEL PLATED SHELL
THUMB SCREW: E4*28.5mm #4-40UNC
- PVC MOLDED: COLOR V398 45P BLACK
- ELECTRICAL TEST:
<1>.100% OPEN SHORT & MISS WIRE TEST
<2>.INSULATION RESISTANCE: AC300V DC400V 10M ohm MIN.
<3>.CONDUCTOR RESISTANCE: 3 ohm MAX.
- PACKING: 1PC/POLYBAG

PIN OUT					
CN1	1	WHITE	CN2	1	WHITE
2	ORANGE	2	17	YELLOW	
3	DRAIN	3	18	YELLOW	
4	DRAIN	4	19	DRAIN	
5	WHITE	5	20	WHITE	
6	BROWN	6	21	GREEN	
7	ORANGE	7	22	DRAIN	
8	YELLOW	8	23	WHITE	
9	GREEN	9	24	RED	
10	WHITE	10	C1	RED(CEN)	
11	BLACK	11	C2	GREEN(CEN)	
12	DRAIN	12	C3	BLUE(CEN)	
13	DRAIN	13	C4	BLUE	
14	WHITE	14	C5	GREEN(S)+BLUE(S)+RED(S)	
15	BLUE	15	SHELL	BRAID& DRAIN	
16	RED	16	SHELL	SHELL	

CONTROLLED

Dim range (mm)		Tolerance +/- (mm)	Qualtek Electronics Corp. WCI DIVISION		
0-1	0.15	Part Number: 1321009-03 RoHS Compliant	Description: DVI (24+5)P/M - DVI (24+5)P/M		
1-6	0.20		UNIT: mm	REV.C	
6-18	0.30		Drawn / Date	Checked / Date	Approved / Date
18-50	0.50		B. Grubb 01-12-07	01-12-07	JJH / 01-12-07
50-120	0.70				
120-250	0.90				
250-500	1.20				

Mouser Electronics

Authorized Distributor

Click to View Pricing, Inventory, Delivery & Lifecycle Information:

[Qualtek:](#)

[1321009-03](#)