

Max. 44 m³/h

DC axial fans

□ 70 x 15 mm



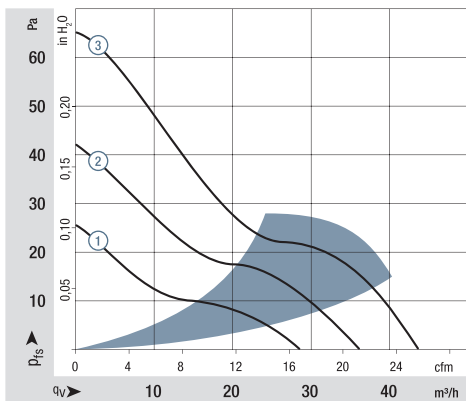
- **Material:** Housing: GRP¹⁾ (PBT)
Impeller: GRP¹⁾ (PA)
 - **Direction of air flow:** Exhaust over struts
 - **Direction of rotation:** Counterclockwise, looking towards rotor
 - **Connection:** Via single wires AWG 24 to AWG 28, TR 64
 - **Weight:** 53 g
- **Possible special versions:** (See chapter DC fans - specials)
 - Speed signal
 - Go / NoGo alarm
 - Moisture protection

1) Fiberglass-reinforced plastic

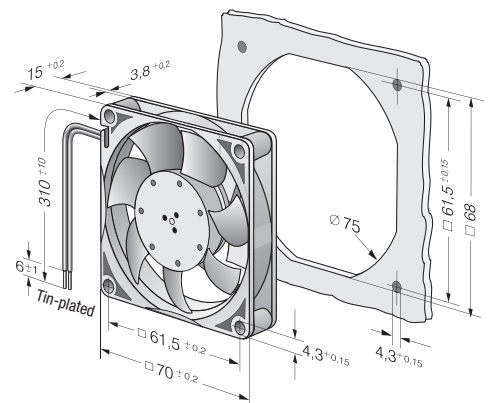
Series 700 F														
Nominal data	Air flow		Nominal voltage	Voltage range	Sound pressure level	Sound power level	Sintec sleeve bearings Ball bearings	Power consumption	Nominal speed	Temperature range	Service life L ₁₀ (40 °C) ebm-papst standard	Service life L ₁₀ (T _{max}) ebm-papst standard	Life expectancy L ₁₀ IPC (40 °C) see page 17	Curve
	m ³ /h	cfm												
712 F/2L-005*	28	16.5	12	8...13.8	25	4.7	□	0.6	3 300	-20...+70	60 000 / 30 000	102 500	102 500	①
712 F/2M-006*	36	21.2	12	8...13.8	32	5.0	□	1.1	4 300	-20...+70	60 000 / 30 000	102 500	102 500	②
712 F	44	25.9	12	8...13.8	38	5.3	□	1.7	5 300	-20...+70	60 000 / 30 000	102 500	102 500	③
714 F	44	25.9	24	18...28	38	5.3	□	1.5	5 300	-20...+70	60 000 / 30 000	102 500	102 500	③

Subject to change

*Version with 3-pin Molex plug housing 22-01-2035
Molex Contacts 08-50-0113



Air performance measured according to: ISO 5801. Installation category A, without contact protection.
Noise: Total sound power level L_wA ISO 103002 measured on a hemisphere with a radius of 2 m.
Sound pressure level L_pA measured at 1 m distance from fan axis.
The values given are applicable only under the specified measuring conditions and may differ depending on the installation conditions.
In the event of deviation from the standard configuration, the parameters must be checked after installation!
For detailed information see <http://www.ebmpapst.com/general conditions>



Mouser Electronics

Authorized Distributor

Click to View Pricing, Inventory, Delivery & Lifecycle Information:

[ebm-papst:](#)

[712F](#) [714F](#) [712F/2L-005](#) [712F/2](#) [712F/2M-006](#) [712F/2-002](#) [712F-011](#) [712F/2-003](#)