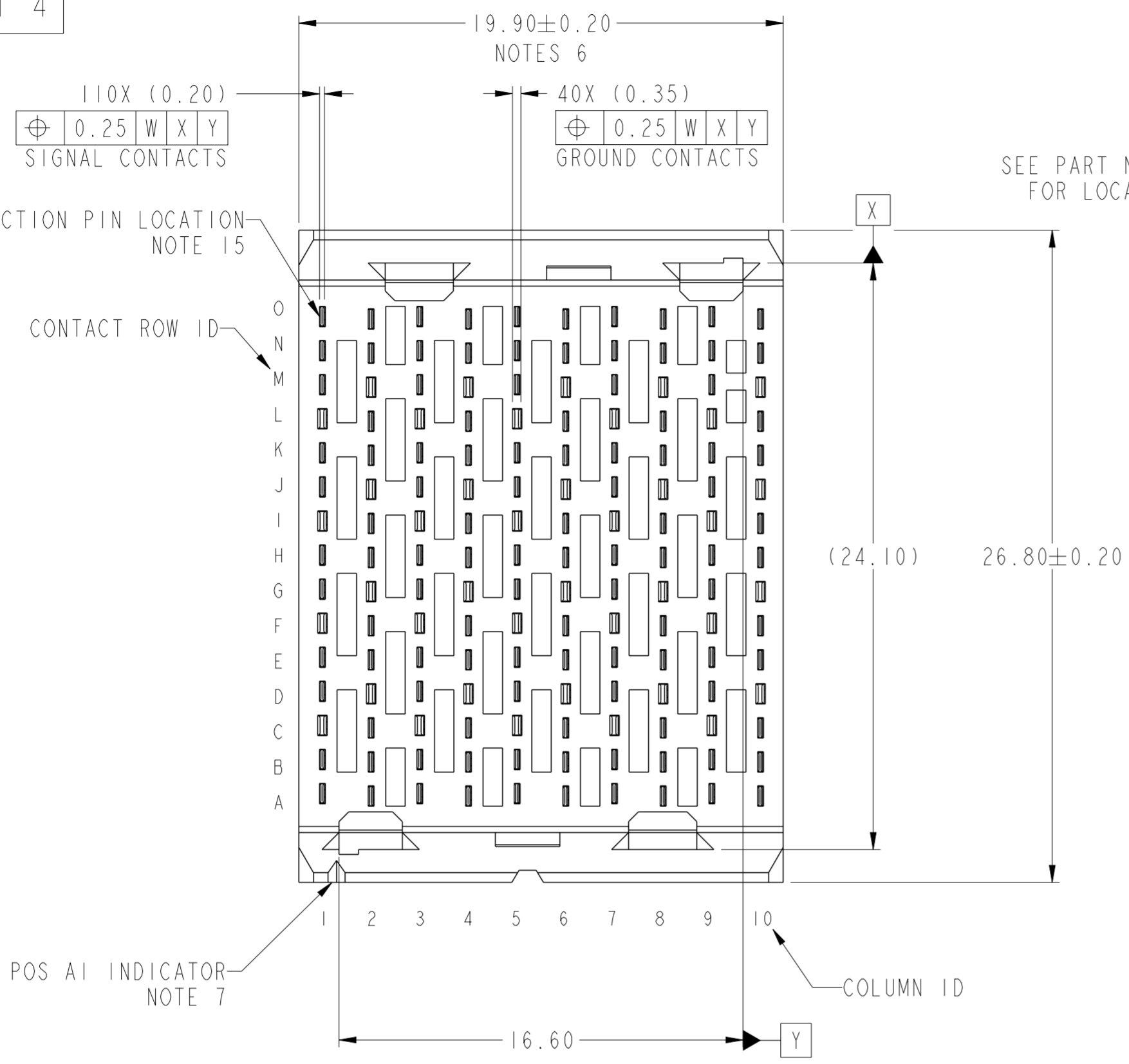
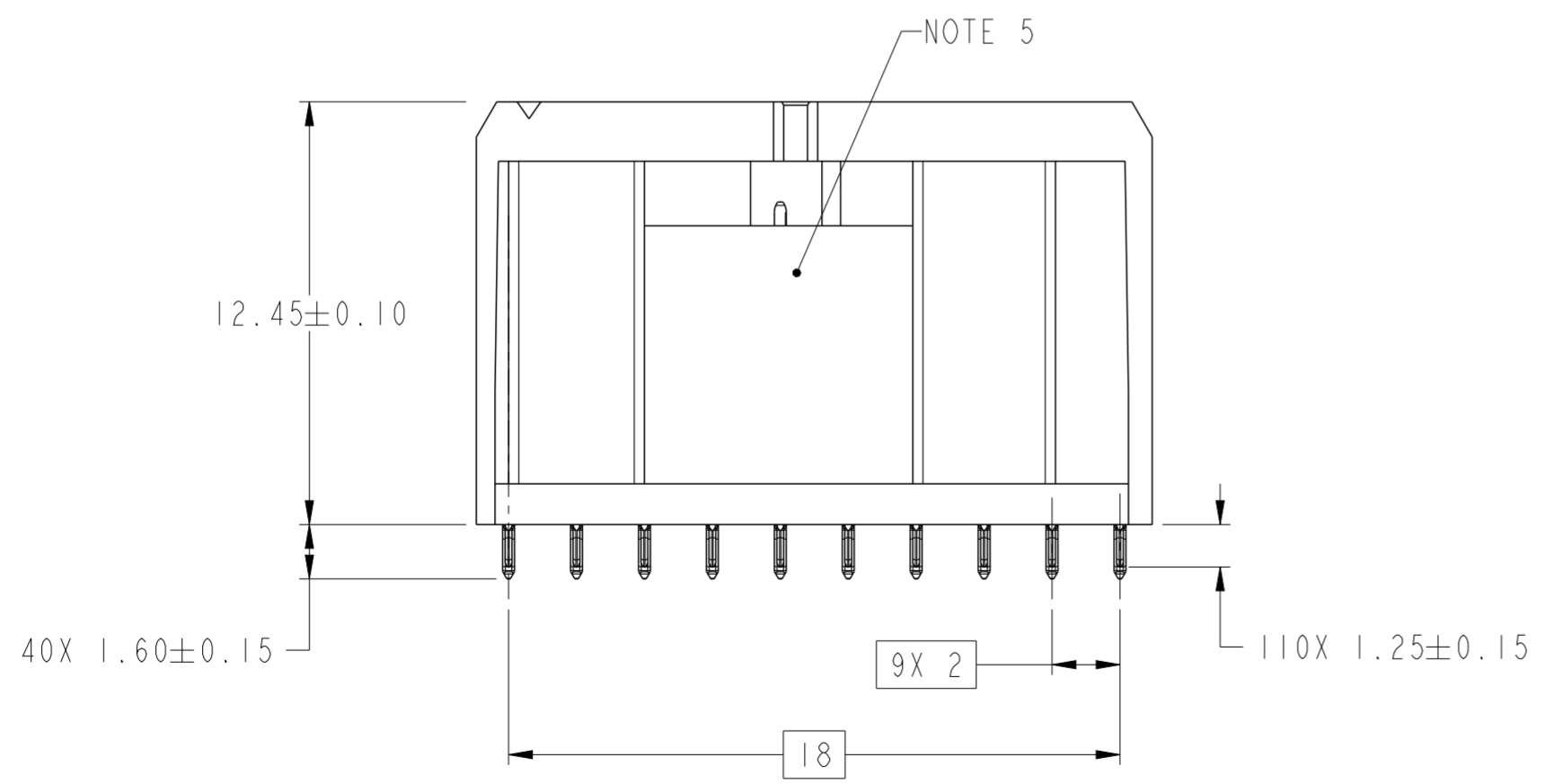
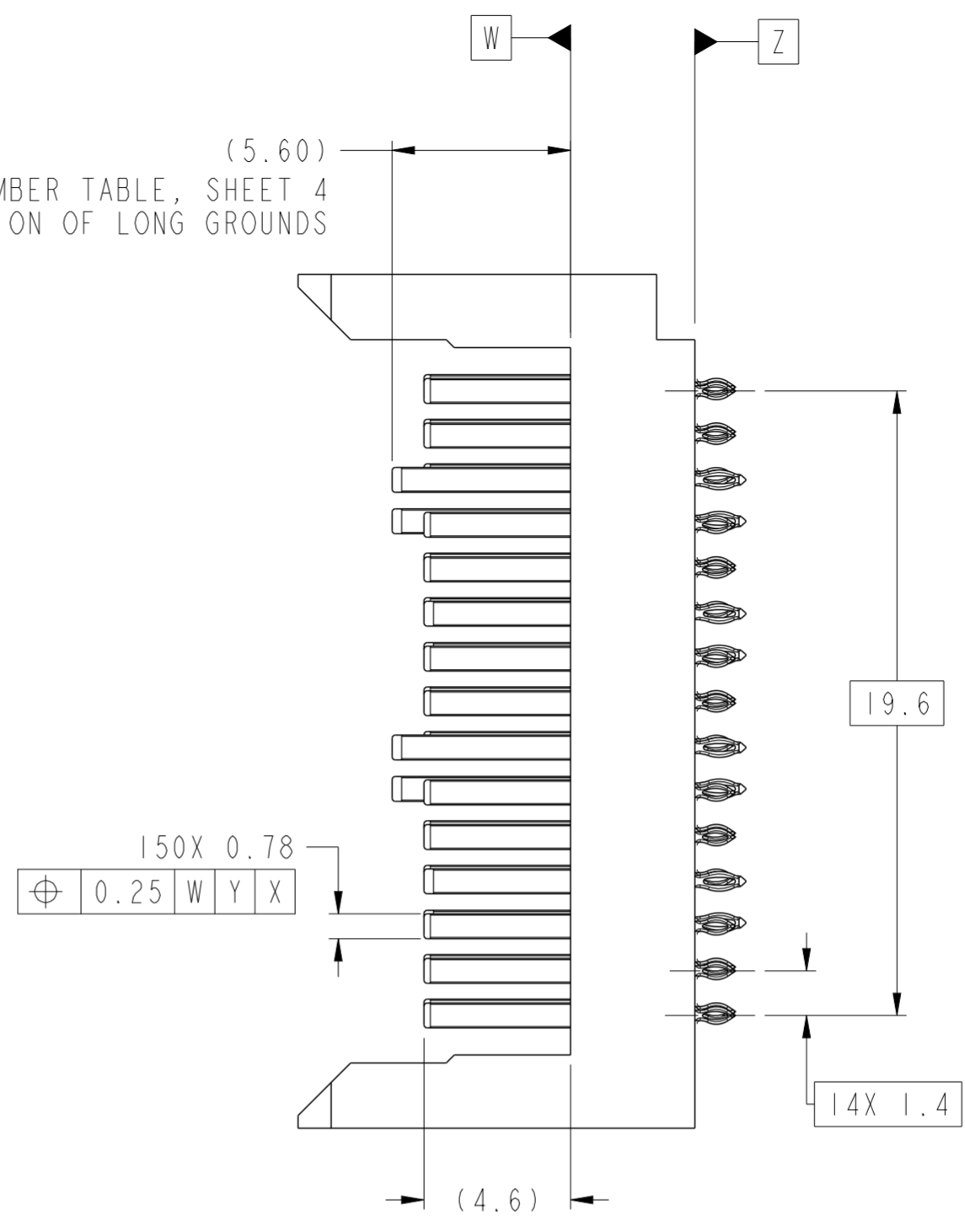


Product number
SEE TABLE, SHT 4



SEE PART NUMBER TABLE, SHEET 4
FOR LOCATION OF LONG GROUNDS



spec ref	-	dr	Robin Johnson	2010/12/03	projection	MM	size	A2	scale	5:1	
tolerance std	ASME Y14.5	eng	Kou Xu	2014/06/05			ecn no	ELX-DG-17847-1			
TOLERANCES UNLESS OTHERWISE SPECIFIED		chr	Zhi-Guo Qiao	2014/06/23			rel level	Released			
		appr	Collins Lu	2014/06/23			product family	AIRMAX VS			
surface	✓	linear	0.X	±0.3		AIRMAX VSE VERTICAL HEADER SMALL PRESS-FIT, 150 POS, 20.0 mm	divg no 10116602	rev D	Product - Customer Drw		
ASME Y14.5	angular	0°	±2°	cat. no.					sheet 1 of 4		

PDS: Rev :D

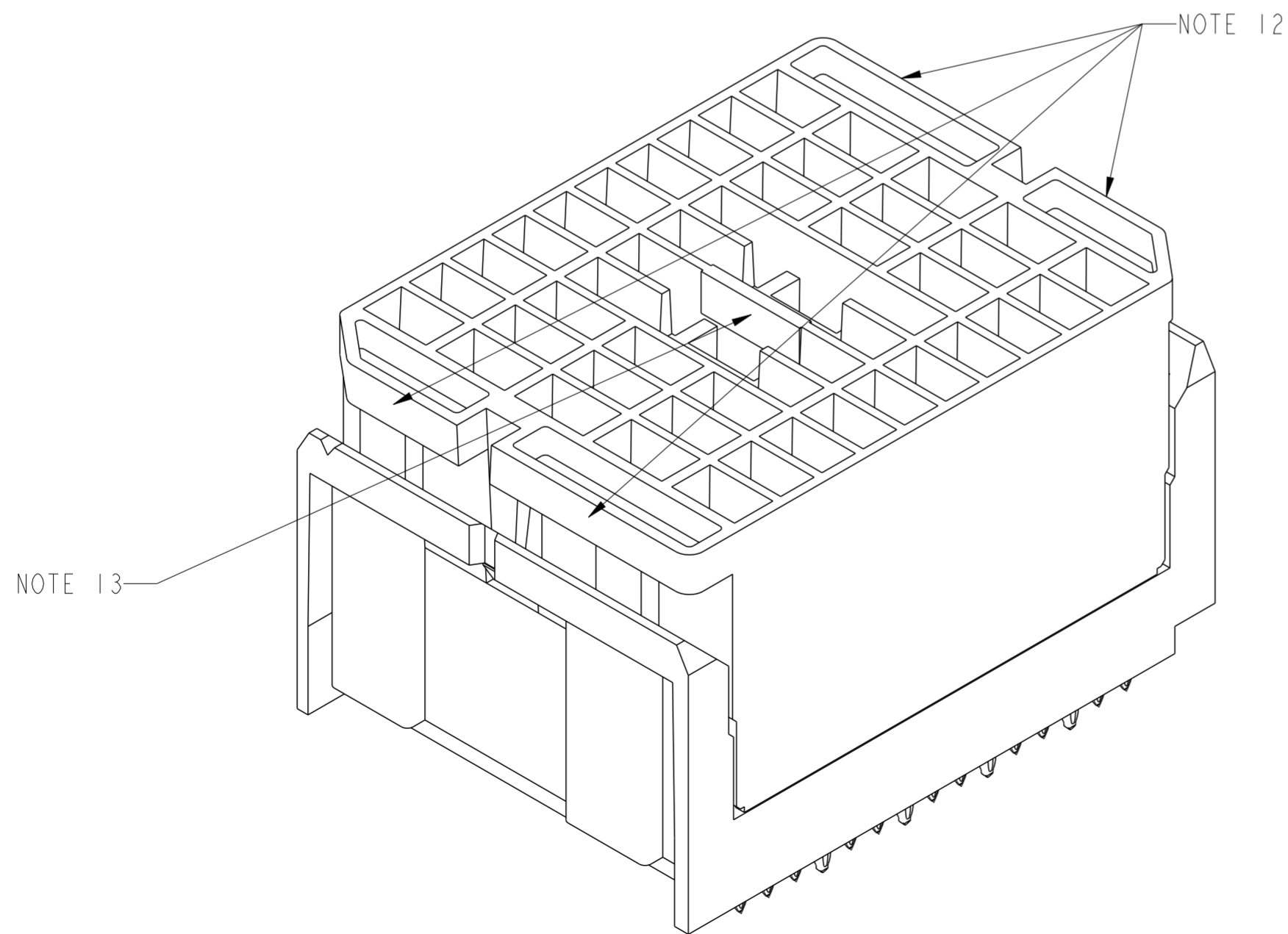
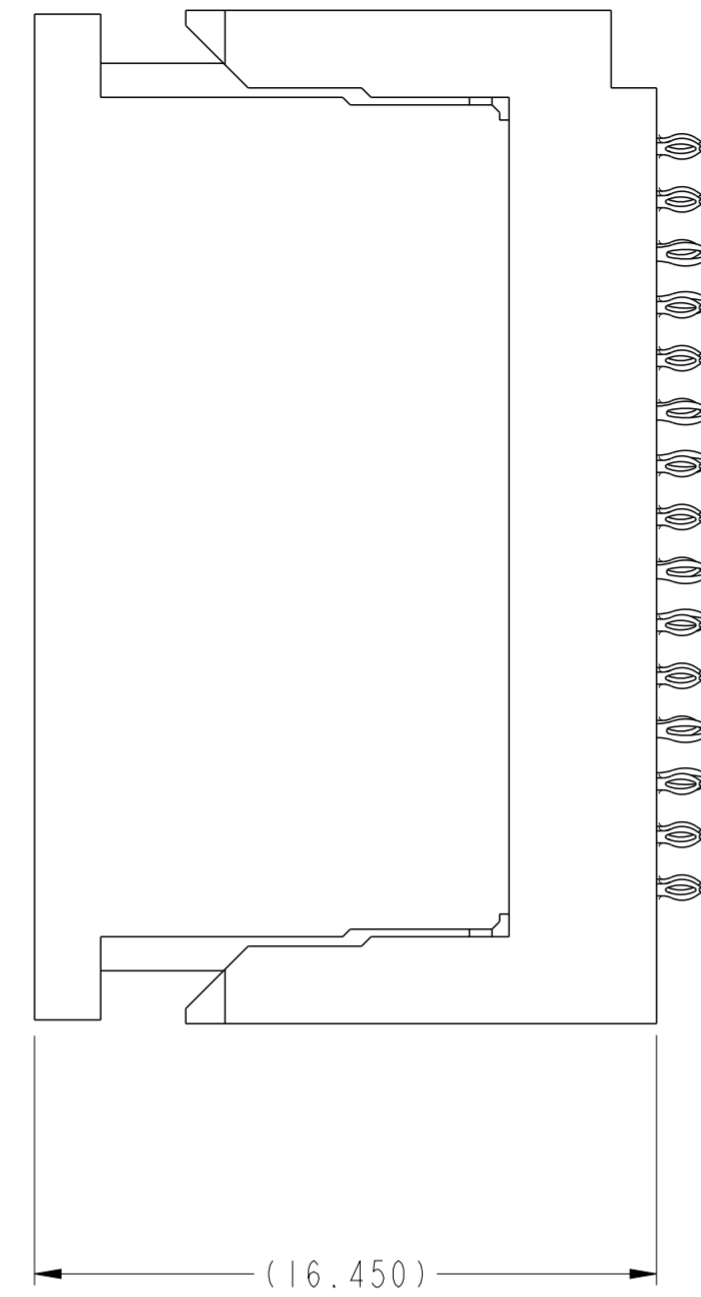
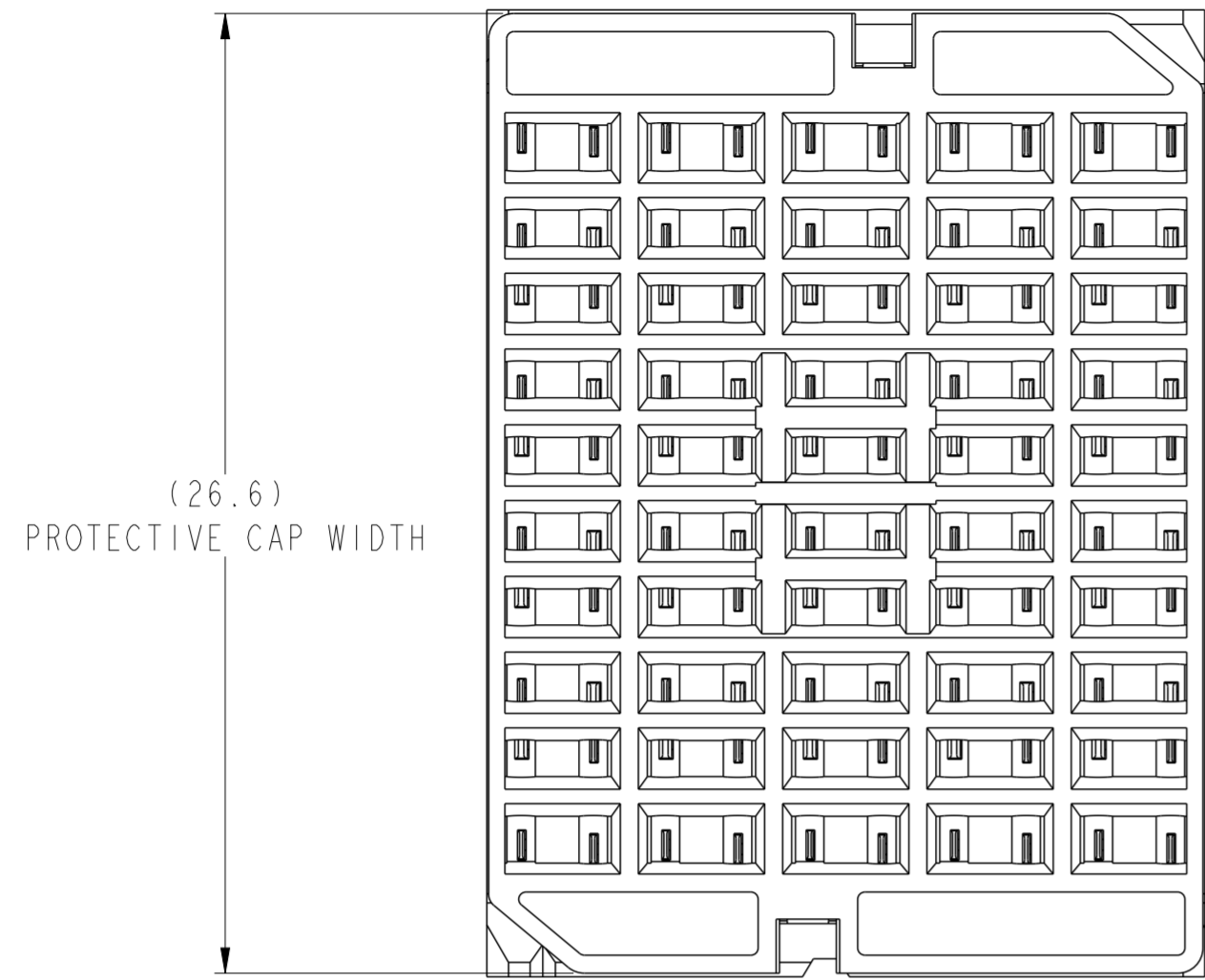
STATUS:Released

Printed: Jun 24, 2014

Copyright FCI. FCI

1 2 3 4 5 6 7 8

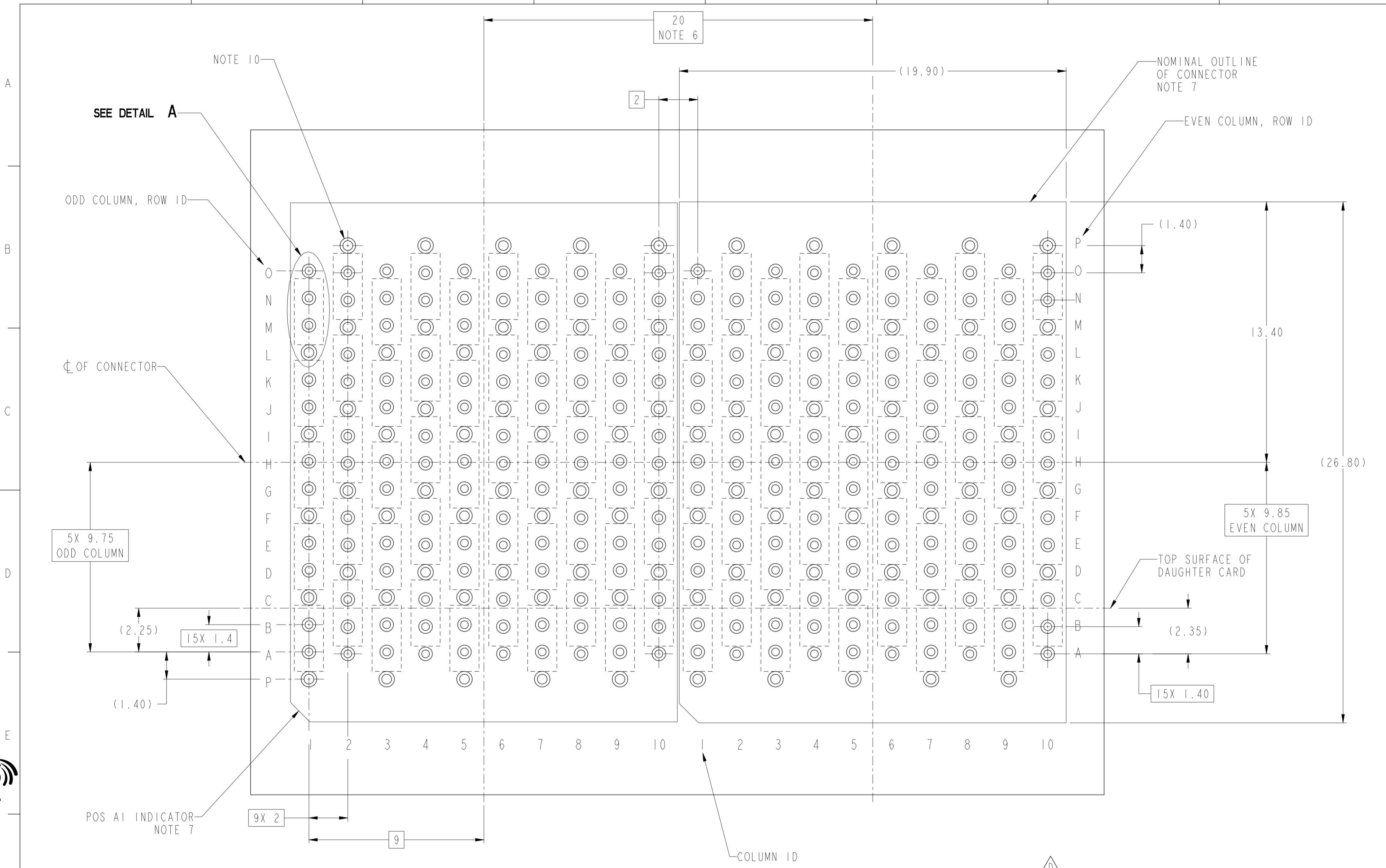
A
B
C
D
E
F



VIEWS SHOWN WITH
PROTECTIVE COVER INSTALLED

Copyright FCI.
FCI

spec ref	-	dr	Robin Johnson	2010/12/03	projection	MM	size	A2	scale	5:1	
tolerance std	ASME Y14.5	eng	Kou Xu	2014/06/05			ecn no	ELX-DG-17847-1			
TOLERANCES UNLESS OTHERWISE SPECIFIED		chr	Zhi-Guo Qiao	2014/06/23			rel level	Released			
		appr	Collins Lu	2014/06/23			product family	AIRMAX VS			
surface	✓	linear	0.X	±0.3		AIRMAX VSE VERTICAL HEADER SMALL PRESS-FIT, 150 POS, 20.0 mm	div no	10116602			
			0.XX	±0.10			rev	D			
		angular	0°	±2°			cat. no.	Product - Customer Drw			
ASME Y14.5		www.fci.com					sheet 2 of 4				



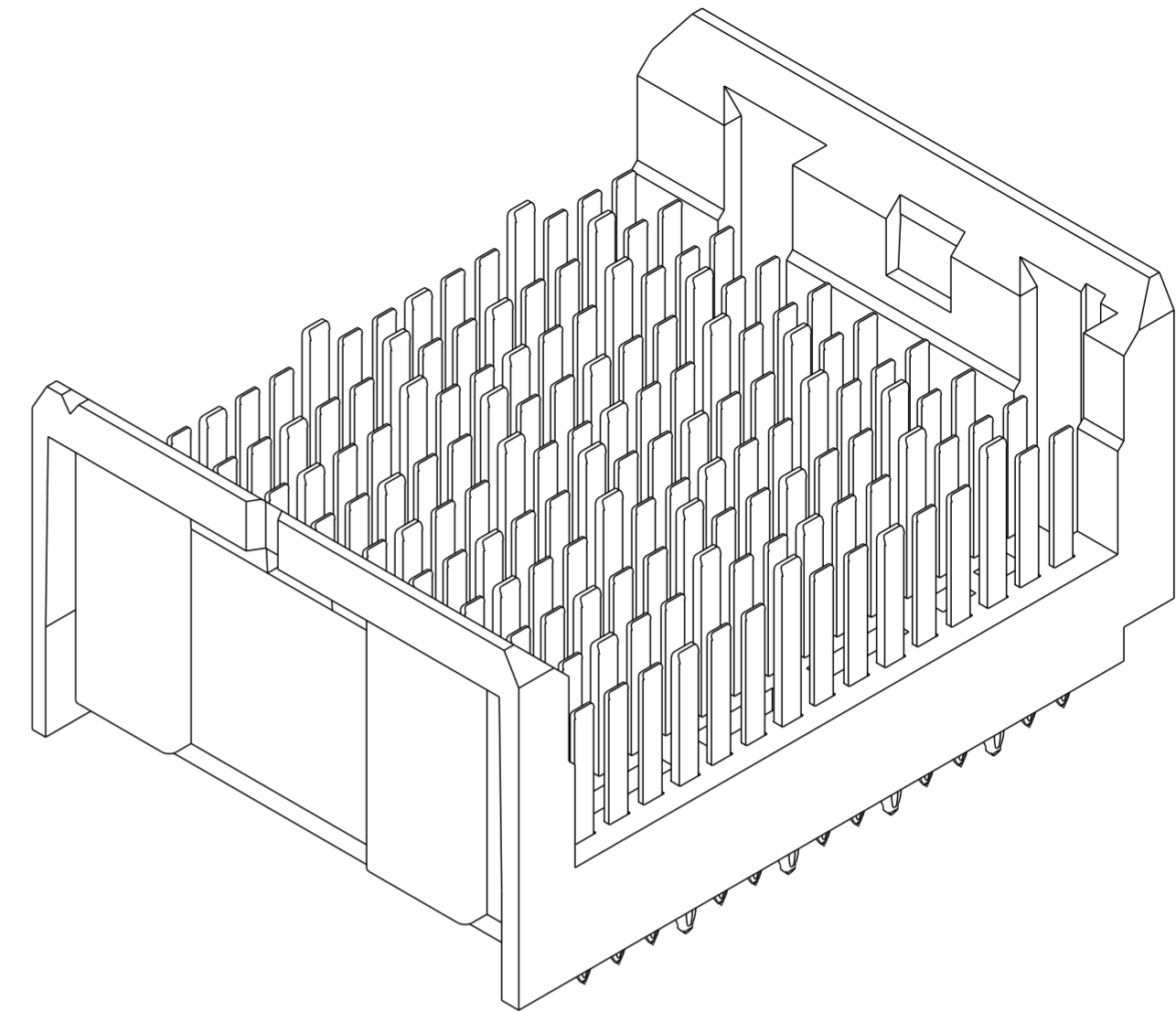
RECOMMENDED PCB LAYOUT
FOR DIFFERENTIAL APPLICATIONS,
COMPONENT SIDE
(TWO ADJACENT FOOTPRINTS SHOWN)
NOTES 6, AND 8

spec ref	-	dr	Robin Johnson	2010/1203	projection	MM	size	A2	scale	3:1	
tolerance std	ASME Y14.5	eng	Kou Xu	2014/06/05			ecn no	ELX-DG-17847-1			
TOLERANCES UNLESS OTHERWISE SPECIFIED		chr	Zhi-Guo Qiao	2014/06/23			rel level	Released			
surface	✓	appr	Collins Lu	2014/06/23			product family	AIRMAX VS			
ASME Y14.5	linear	0.X	±0.3		TITLE AIRMAX VSE VERTICAL HEADER SMALL PRESS-FIT, 150 POS, 20.0 mm	REV 10116602	REV D	Product - Customer Drw			
	angular	0°	±2°					sheet 3 of 4			
www.fci.com			cat. no.								

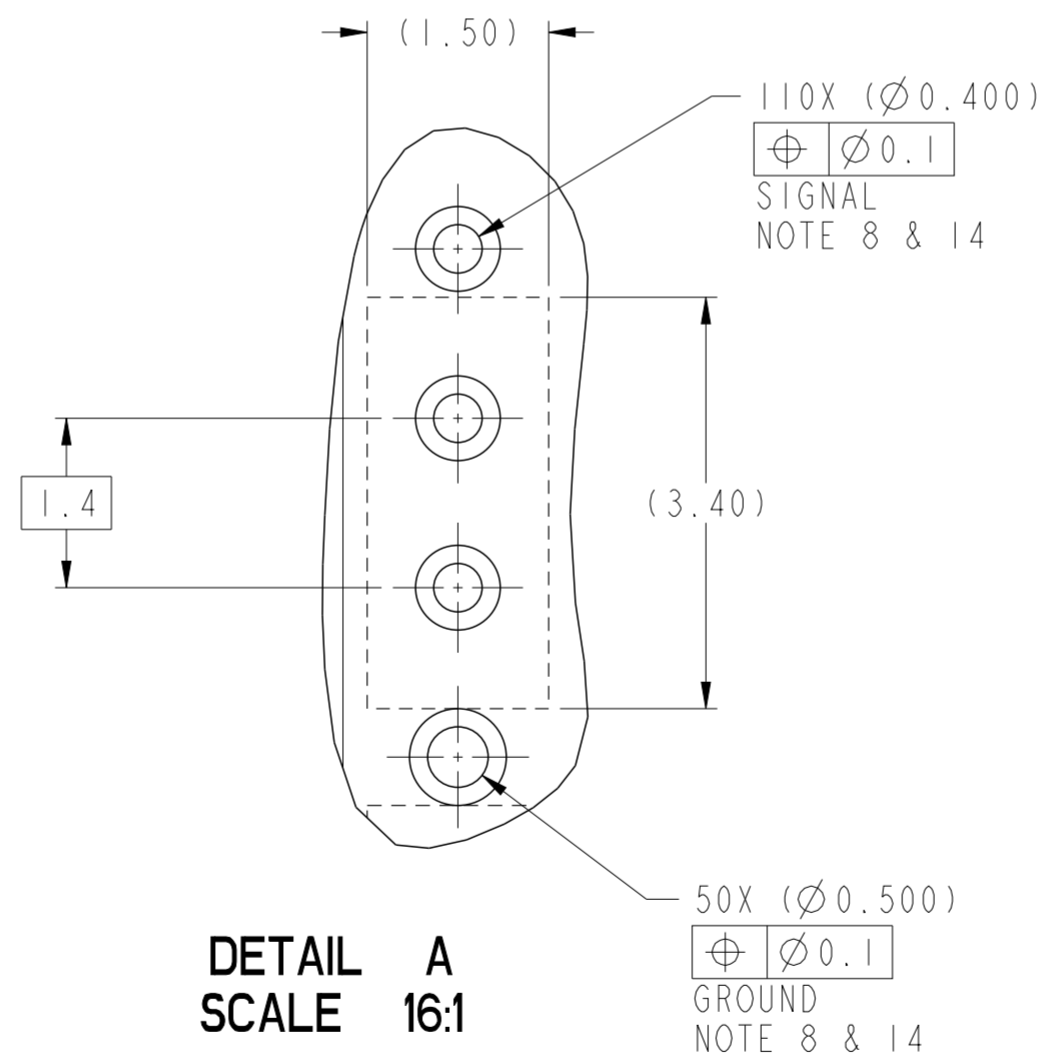
PART NUMBER	PRESS-FIT TAIL PLATING TYPE	PROTECTIVE COVER	LONG GROUND PIN LOCATIONS (5.6MM)	REMARK
10116602-101LF	TIN OVER NICKEL (LEAD FREE)	YES	L1, M2, L3, M4, L5, M6, L7, M8, L9, M10 F1, G2, F3, G4, F5, G6, F7, G8, F9, G10	WITHOUT SHORT DETECTION PIN
10116602-111LF	TIN OVER NICKEL (LEAD FREE)	YES	L1, M2, L3, M4, L5, M6, L7, M8, L9, M10 F1, G2, F3, G4, F5, G6, F7, G8, F9, G10	WITH SHORT DETECTION PIN

NOTES:

- CONNECTOR MATERIALS:
HOUSING: HIGH TEMP THERMOPLASTIC, BLACK, UL94V-0
CONTACT: COPPER ALLOY
- CONTACT PLATING:
SEPARABLE INTERFACE: PERFORMANCE-BASED PLATING, QUALIFIED TO MEET THE REQUIREMENTS OF FCI PRODUCT SPECIFICATION GS-12-XXX INCLUDING TELCORDIA GR-1217-CORE (NOVEMBER 1995) CENTRAL OFFICE TEST SEQUENCE
PRESS-FIT TAILS: SEE TABLE
- PRODUCT SPECIFICATION: GS-12-239.
- APPLICATION SPECIFICATION: GS-20-035
- PRODUCT MARKING, (PROTOTYPE, PART NUMBER & LOT CODE), ON THIS SURFACE.
- THE MINIMUM CENTERLINE SPACING BETWEEN ADJACENT MODULES IS 20.0 mm.
- CONNECTOR OUTLINE WITH HOUSING POS A1 INDICATOR MAY BE SCREEN PRINTED ONTO CUSTOMER PCB TO BE USED AS A GUIDE FOR MANUAL CONNECTOR PLACEMENT.
- REFER TO CUSTOMER DRAWING 10104444 FOR INFORMATION ON PCB HOLE DIAMETERS AND PLATING OPTIONS.
- LEAD FREE PRODUCT MEETS EUROPEAN UNION DIRECTIVES AND OTHER COUNTRY REGULATIONS AS DESCRIBED IN GS-22-008.
- THE OUTER VIAS IN COLUMN P ARE OPTIONAL. IF ADDED THESE HOLES PROVIDE GROUND SYMETRY THROUGH THE PCB. NO CONNECTOR EONS WILL BE PRESSED INTO THESE HOLES.
- PACKAGING MEETS GS-14-920 LEAD FREE LABELING SPECIFICATION.
- FOR REMOVAL OF THE PROTECTIVE CAP BY HAND, GRIP USING THESE SURFACES.
- FOR REMOVAL OF THE PROTECTIVE CAP WITH PLIERS, GRIP USING THIS FEATURE.
- GROUND VIAS IN POSITIONS C, F, I, L & P FOR ODD COLUMNS AND POSITIONS D, G, J, M & P FOR EVEN COLUMNS REQUIRE (Ø0.50) FINISHED HOLES. ALL OTHER VIAS REQUIRE (Ø0.40) FINISHED HOLES.
- SHORT DETECTION PIN O1 IS 0.50mm LESS WIPE NOMINAL THAN THE SHORTEST PIN.
- A \triangle SYMBOL WILL BE NEXT TO ANY DIMENSION, VIEW OR NOTE. THAT HAD BEEN MODIFIED WITH THE CURRENT DRAWING REVISION.



10116602-101LF



DETAIL A
SCALE 16:1



spec ref	-	dr	Robin Johnson	2010/12/03	projection	MM	size	A2	scale	5:1
tolerance std	ASME Y14.5	eng	Kou Xu	2014/06/05			ecn no	ELX-DG-17847-1		
TOLERANCES UNLESS OTHERWISE SPECIFIED		chr	Zhi-Guo Qiao	2014/06/23			rel level	Released		
surface	✓	appr	Collins Lu	2014/06/23	product family	AIRMAX VS	title	AIRMAX VSE VERTICAL HEADER		
ASME Y14.5	linear	0.X	±0.3		cat. no.	-	dwg no	10116602		
		0.XX	±0.10		Product - Customer Drw	sheet 4 of 4	rev	D		
	angular	0°	±2°							

Mouser Electronics

Authorized Distributor

Click to View Pricing, Inventory, Delivery & Lifecycle Information:

[FCI / Amphenol:](#)

[10116602-101LF](#) [10116602-111LF](#)