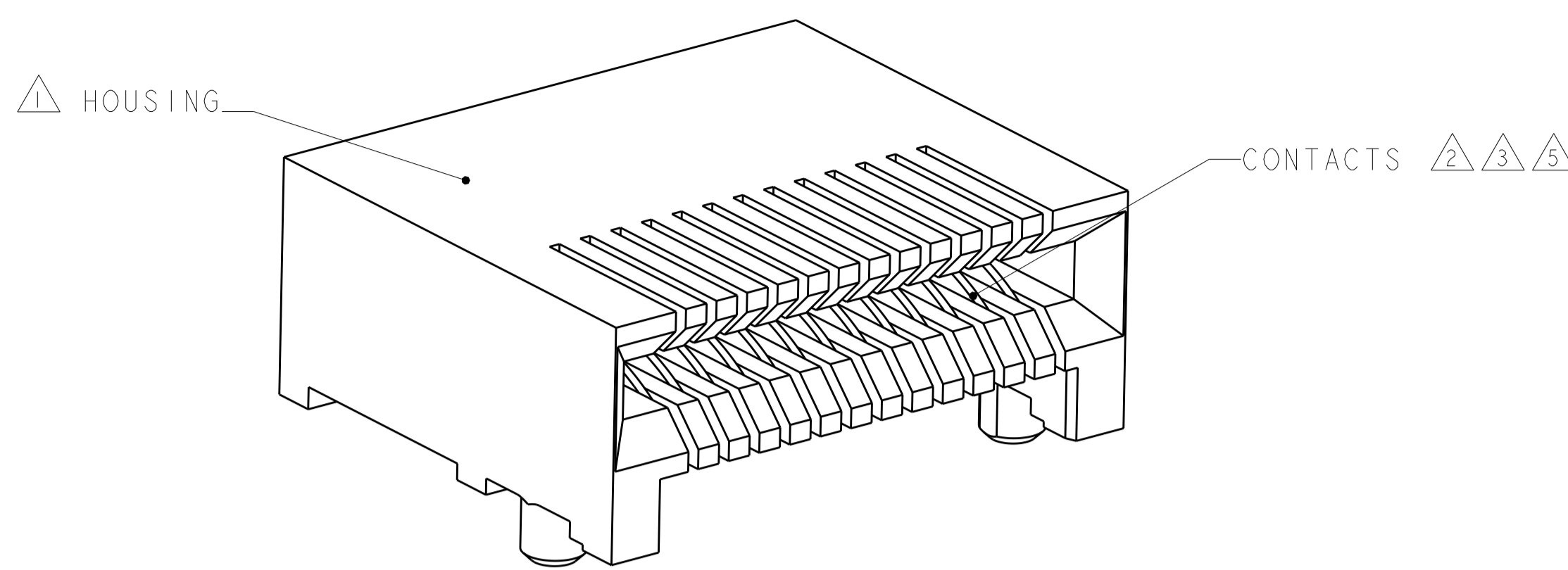
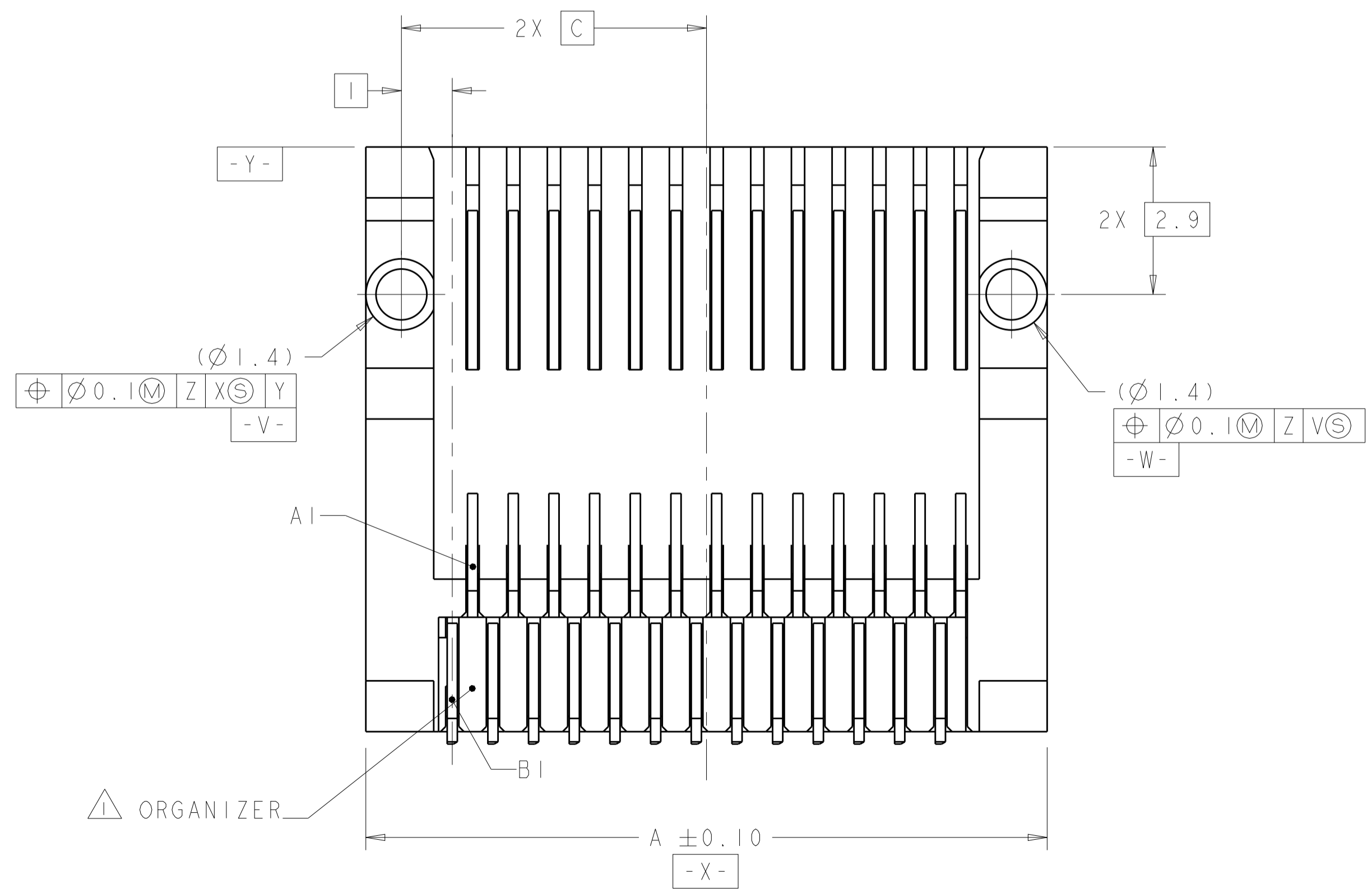
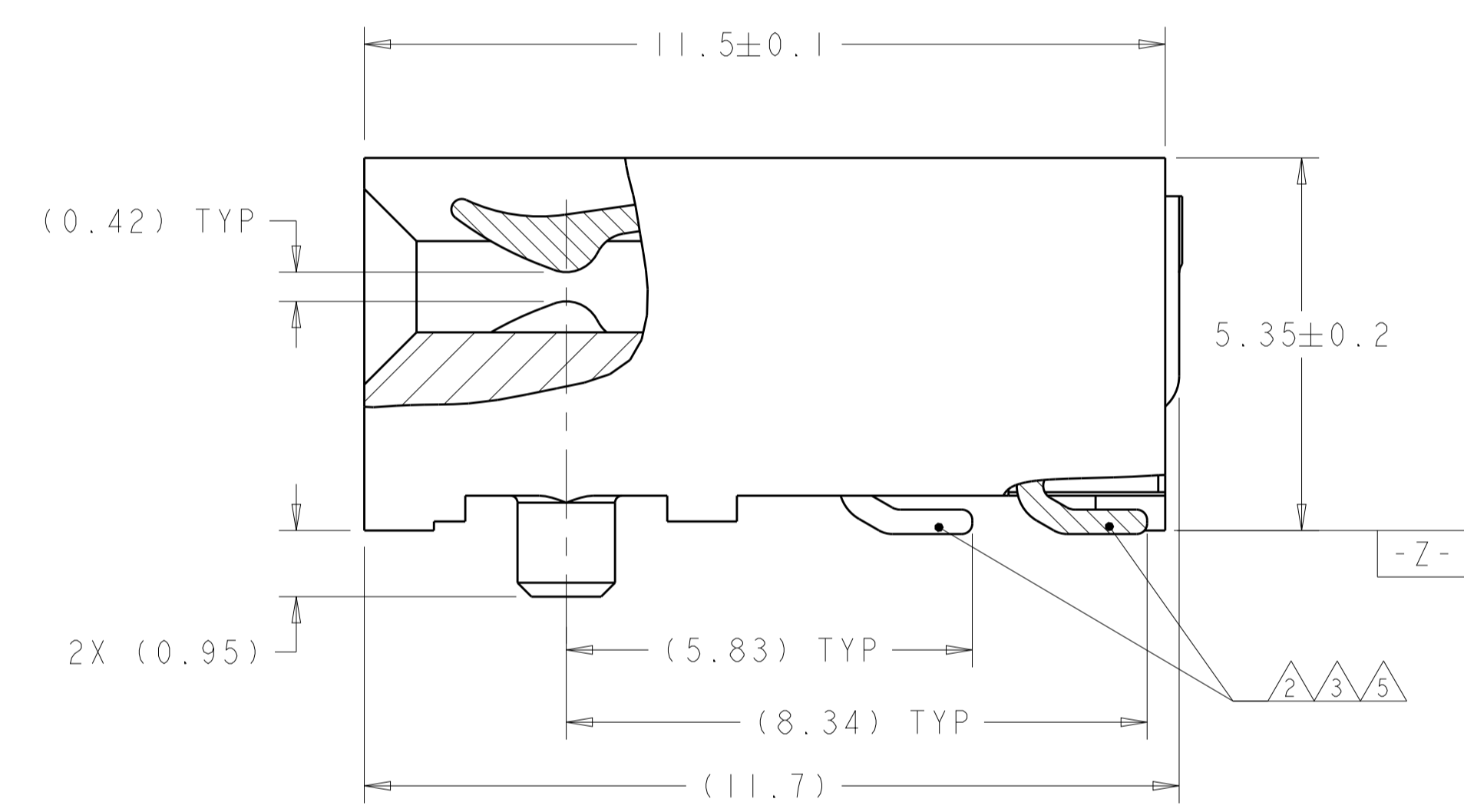
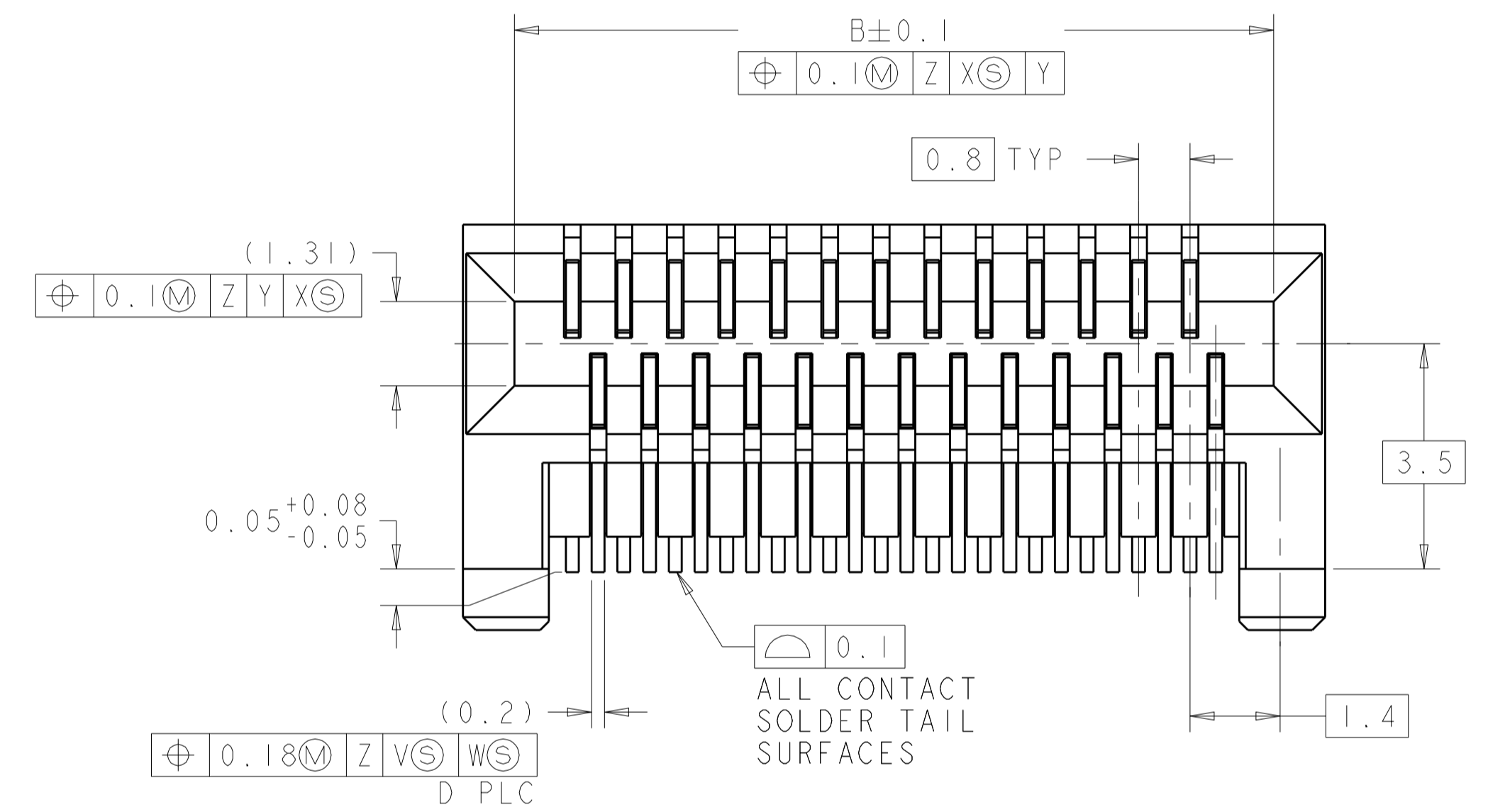


LOC	DIST	REVISIONS					
GP	00	P	LTN	DESCRIPTION	DATE	DWN	APVD
		A2		REVISED PER ECO-11-004835	11MAR2011	RK	HMR
		A3		REVISED PER ECO-14-010818	27OCT2016	RG	SH



26 POSITION RECEPTACLE
 SCALE 9:1

- △ MATERIAL: LCP, BLACK.
- △ MATERIAL: PHOSPHOR BRONZE PER ASTM B 103.
- △ FINISH: 0.76µm MIN GOLD PLATE PER ASTM B 488, APPLIES TO INTERFACE AREA AND 2.03µm MIN TIN PLATE SOLDER TAILS, ALL OVER 3.81µm MIN NICKEL PLATE PER QQ-N-290.
- △ DATUM AND BASIC DIMENSION ESTABLISHED BY CUSTOMER.
- △ FINISH: 0.38µm MIN GOLD PLATE PER ASTM B 488, APPLIES TO INTERFACE AREA AND 2.03µm MIN TIN PLATE SOLDER TAILS, ALL OVER 3.81µm MIN NICKEL PLATE PER QQ-N-290.



FINISH	PACKAGING	POSN						PART NUMBER
		E	D	C	B	A	POSN	
△ 5	TAPE AND REEL	16.80	38	8.40	16.60	18.10	38	1-1761987-8
		16.00	36	8.00	15.80	17.40	36	1-1761987-7
		12.00	26	6.00	11.80	13.40	26	1-1761987-6
	TUBE	28.80	68	14.80	28.60	30.20	68	1-1761987-5
		16.80	38	8.40	16.60	18.10	38	1-1761987-4
		23.20	54	11.60	23.00	24.60	54	1-1761987-3
△ 3	TAPE AND REEL	16.80	38	8.40	16.60	18.10	38	1761987-9
		16.00	36	8.00	15.80	17.40	36	1761987-8
		12.00	26	6.00	11.80	13.40	26	1761987-7
	TUBE	28.80	68	14.80	28.60	30.20	68	1761987-6
		16.80	38	8.40	16.60	18.10	38	1761987-5
		23.20	54	11.60	23.00	24.60	54	1761987-4
		21.60	50	10.80	21.40	23.00	50	1761987-3
		16.00	36	8.00	15.80	17.40	36	1761987-2
		12.00	26	6.00	11.80	13.40	26	1761987-1

△ ORGANIZER

THIS DRAWING IS A CONTROLLED DOCUMENT. DWN: M.E. CONHEP, 28JUN2005
 CHK: R.R. HENRY, 28JUN2005
 APVD: R.R. HENRY, 28JUN2005

STE TE Connectivity

NAME: EVERCLEAR Mini-SAS RECEPTACLE CONNECTOR ASSEMBLY, RIGHT ANGLE, SURFACE MOUNT
 PRODUCT SPEC: 108-2234
 APPLICATION SPEC: -

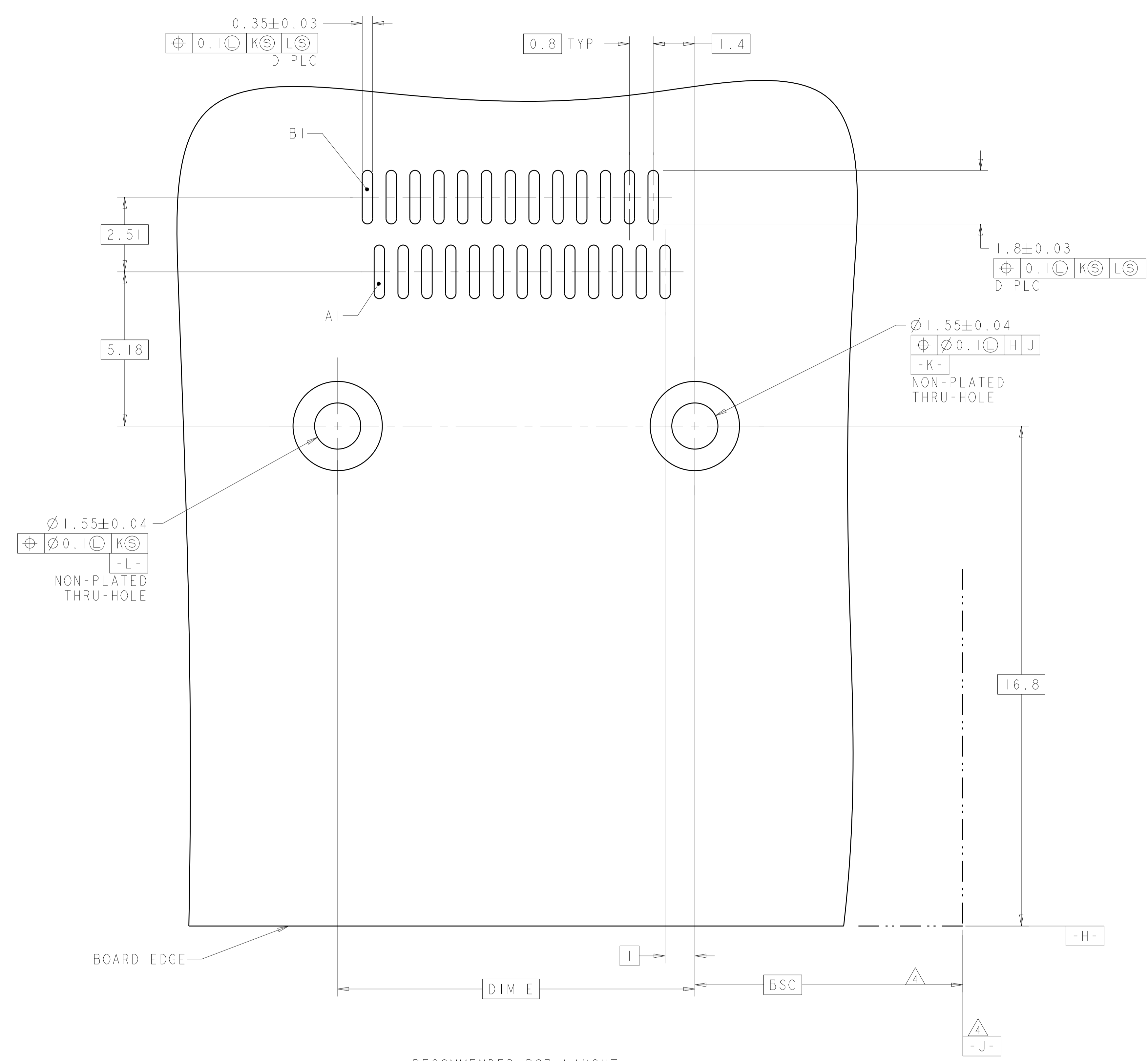
SIZE: A1 00779 C=1761987
 WEIGHT: -
 CUSTOMER DRAWING

DIMENSIONS: mm
 TOLERANCES UNLESS OTHERWISE SPECIFIED:
 0 PLC ±
 1 PLC ±
 2 PLC ±
 3 PLC ±
 4 PLC ±
 ANGLES ±

MATERIAL: SEE NOTES
 FINISH: SEE TABLE

SCALE: 12:1 SHEET 1 OF 2 REV: A3

LOC	DIST	REVISIONS					
GP	00	P.	LTN	DESCRIPTION	DATE	DMN	APVD
		-		SEE SHEET 1	-	-	-



Ø1.55±0.04
 ⊕ Ø0.1Ⓛ ⓀⓈ ⓁⓈ
 -L-
 NON-PLATED
 THRU-HOLE

Ø1.55±0.04
 ⊕ Ø0.1Ⓛ ⓀⓈ ⓁⓈ
 -K-
 NON-PLATED
 THRU-HOLE

1.8±0.03
 ⊕ Ø0.1Ⓛ ⓀⓈ ⓁⓈ
 D-PLC

0.35±0.03
 ⊕ Ø0.1Ⓛ ⓀⓈ ⓁⓈ
 D-PLC

0.8 TYP 1.4

2.51

5.18

16.8

-H-

△
 -J-

BOARD EDGE

DIM E

BSC

RECOMMENDED PCB LAYOUT

THIS DRAWING IS A CONTROLLED DOCUMENT.		DMN M.E. CONHEB 28JUN2005	TE Connectivity
DIMENSIONS: mm		CHK R.R. HENRY 28JUN2005	
TOLERANCES UNLESS OTHERWISE SPECIFIED:		APVD R.R. HENRY 28JUN2005	NAME EVERCLEAR Mini-SAS RECEPTACLE CONNECTOR ASSEMBLY, RIGHT ANGLE, SURFACE MOUNT
0 PLC ±	1 PLC ±	PRODUCT SPEC 108-2234	SIZE CAGE CODE DRAWING NO. RESTRICTED TO
2 PLC ±	3 PLC ±	APPLICATION SPEC	A100779C=1761987
4 PLC ±	ANGLES ±	WEIGHT	SCALE 12:1 SHEET 2 OF 2 REV A3
MATERIAL	FINISH	CUSTOMER DRAWING	

Mouser Electronics

Authorized Distributor

Click to View Pricing, Inventory, Delivery & Lifecycle Information:

[TE Connectivity:](#)

[1761987-5](#)