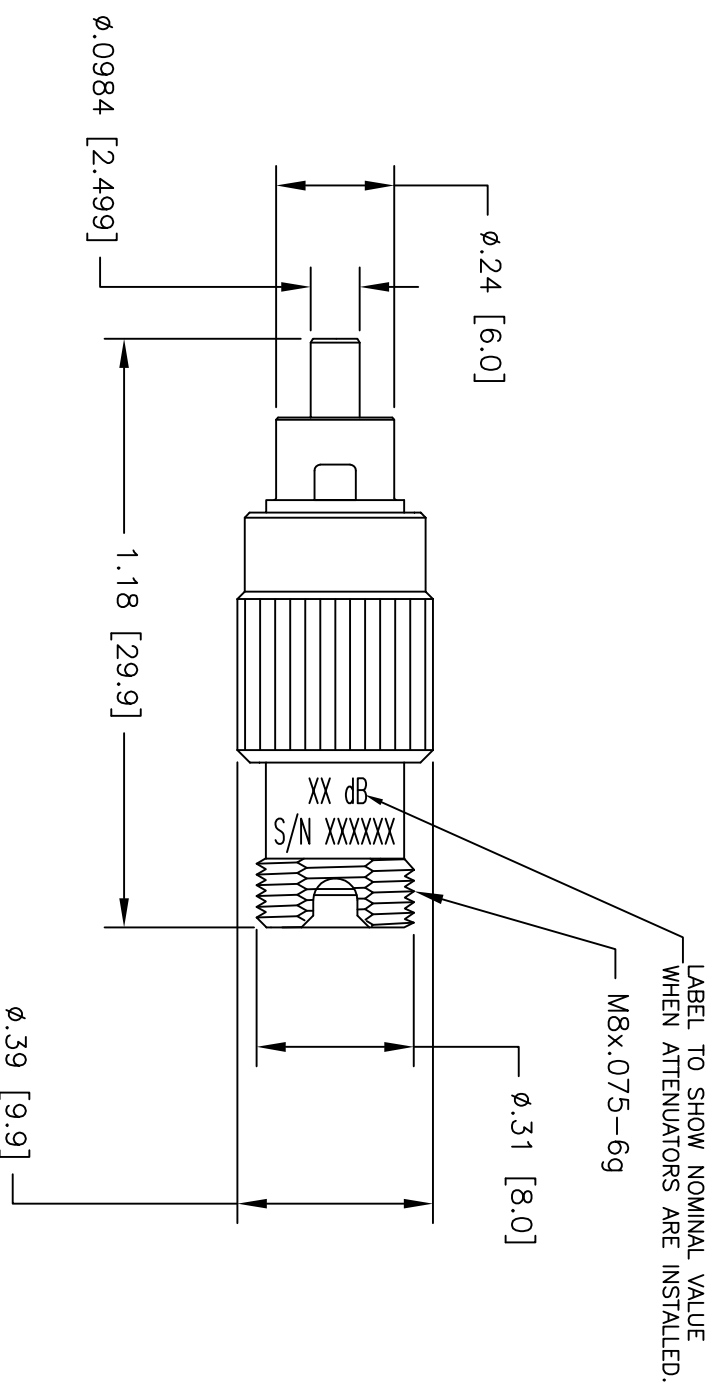


1	2	3	4	5	6
A	AMPHENOL PART NUMBER	ATTENUATION (NOTE 2)			
944-130-5101		1.0 ± 0.5 dB			
944-130-5102		2.0 ± 0.5 dB			
944-130-5103		3.0 ± 0.5 dB			
944-130-5104		4.0 ± 0.5 dB			
944-130-5105		5.0 ± 0.5 dB			
944-130-5106		6.0 ± 0.6 dB			
944-130-5107		7.0 ± 0.7 dB			
944-130-5108		8.0 ± 0.8 dB			
944-130-5109		9.0 ± 0.9 dB			
944-130-5110		10.0 ± 1.0 dB			
944-130-5111		11.0 ± 1.1 dB			
944-130-5112		12.0 ± 1.2 dB			
944-130-5113		13.0 ± 1.3 dB			
944-130-5114		14.0 ± 1.4 dB			
944-130-5115		15.0 ± 1.5 dB			
944-130-5116		16.0 ± 1.6 dB			
944-130-5117		17.0 ± 1.7 dB			
944-130-5118		18.0 ± 1.8 dB			
944-130-5119		19.0 ± 1.9 dB			
944-130-5120		20.0 ± 2.0 dB			



- NOTES:
1. ALL DIMENSIONS ARE SHOWN IN INCHES[MILLIMETERS].
  2. OPERATING WAVELENGTH: 1260-1360 AND 1430-1580 nm. ATTENUATION VALUES FOR DEVICES WHEN USED BETWEEN PATCH CORDS.
  3. BACKREFLECTION = <-55dB

UNLESS OTHERWISE SPECIFIED TOLERANCE TO BE		NOTE: These drawings, specifications, or other data (D) are owned by the property of Amphenol Corporation. All rights reserved. No part of this drawing or specification may be reproduced or transmitted in any form or by any means, electronic, mechanical, photocopying, recording, or by any information storage and retrieval system, without the prior written permission of Amphenol Corporation. All drawings, specifications, or other data, shall be the property of Amphenol Corporation. All drawings, specifications, or other data, shall be the property of Amphenol Corporation.		REV. <input checked="" type="checkbox"/> A		TITLE: ATTENUATOR, FC/UPC PLUG STYLE		DRAWING NO. 1924 Ohio Street, Lima, OH 43032, USA	
LINEAR	ANGULAR	MATL:	DRN:B. MENIETTI	DATE:	8/14/01	APVD:		DATE:	
XX ± 1	X' ± 1'	XXX ± 0.01	X'X' ± 30'	FINISH:		APVD:		DATE:	
X.XXX ± 0.003	X'X' ± 15'	BREAK ALL SHARP EDGES AND REMOVE ALL BURRS		REF.:		SCALE:		PART No. 944-130-51XX	
DO NOT SCALE		THIRD ANGLE PROJECTION		SCALE: NTS		PART No. 944-130-51XX		DRAWING NO. 944-130-51XX	

1 2 3 4 5 6

F F

E E

D D

C C

B B

A A

**Amphenol**  
FIBER OPTIC PRODUCTS

1 OF 1 SHEET

# Mouser Electronics

Authorized Distributor

Click to View Pricing, Inventory, Delivery & Lifecycle Information:

[Amphenol:](#)

[944-130-5120](#) [944-130-5110](#) [944-130-5105](#)