

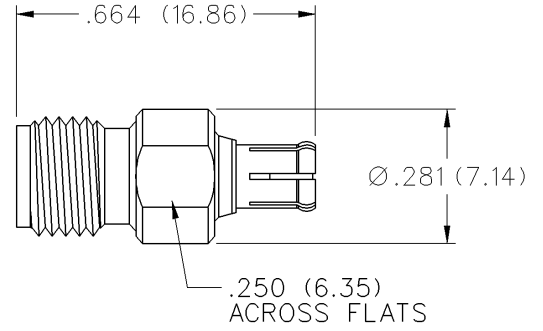
Between Series Adapter SMA Jack to MCX Plug



INCHES (MILLIMETERS)
CUSTOMER DRAWINGS AVAILABLE UPON REQUEST



VSWR & FREQUENCY RANGE	GOLD PLATED
1.03 + .03f (GHz) 0-6 GHz	134-1018-031



Mouser Electronics

Authorized Distributor

Click to View Pricing, Inventory, Delivery & Lifecycle Information:

[Cinch Connectivity Solutions:](#)

[134-1018-031](#)