

LOC A1	DIST —	REVISIONS				
	P	LTR	DESCRIPTION	DATE	DWN	APVD
ÄNDERUNGEN, DIE DEM TECHNISCHEN FORTSCHRITT DIENEN, BEHALTEN WIR UNS VOR		P	REVISED PER ECO-11-005301	02MAR11	RK	HMR

SIEHE ZEICHNUNG  
826 629 BLATT 4

VON DIESER ZEICHNUNG GIBT ES KEIN ORIGINAL


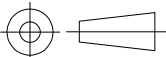
—	—	—
BESTELL-NR.	WERKSTOFF	OBERFLÄCHE FARBE

RELEASED FOR PUBLICATION

ALL RIGHTS RESERVED.

THIS DRAWING IS UNPUBLISHED.

© COPYRIGHT — By —

DIMENSIONS: mm	DWN —	MATERIAL —	FINISH —	
TOLERANCES UNLESS OTHERWISE SPECIFIED:	CHK —	 TE Connectivity		
0 PLC ± — 1 PLC ± — 2 PLC ± — 3 PLC ± — 4 PLC ± — ANGLES ± —	APVD —			
	PRODUCT SPEC —	NAME AMPMODU II STIFTLAISTE 90DEG ZWEIREIHIG		
	APPLICATION SPEC —	SIZE A4	CAGE CODE 00779	DRAWING NO C-826953
	WEIGHT —	RESTRICTED TO —		
CUSTOMER DRAWING		SCALE —	SHEET 1 OF 1	REV P

# Mouser Electronics

Authorized Distributor

Click to View Pricing, Inventory, Delivery & Lifecycle Information:

[TE Connectivity:](#)

[1-826953-0](#)