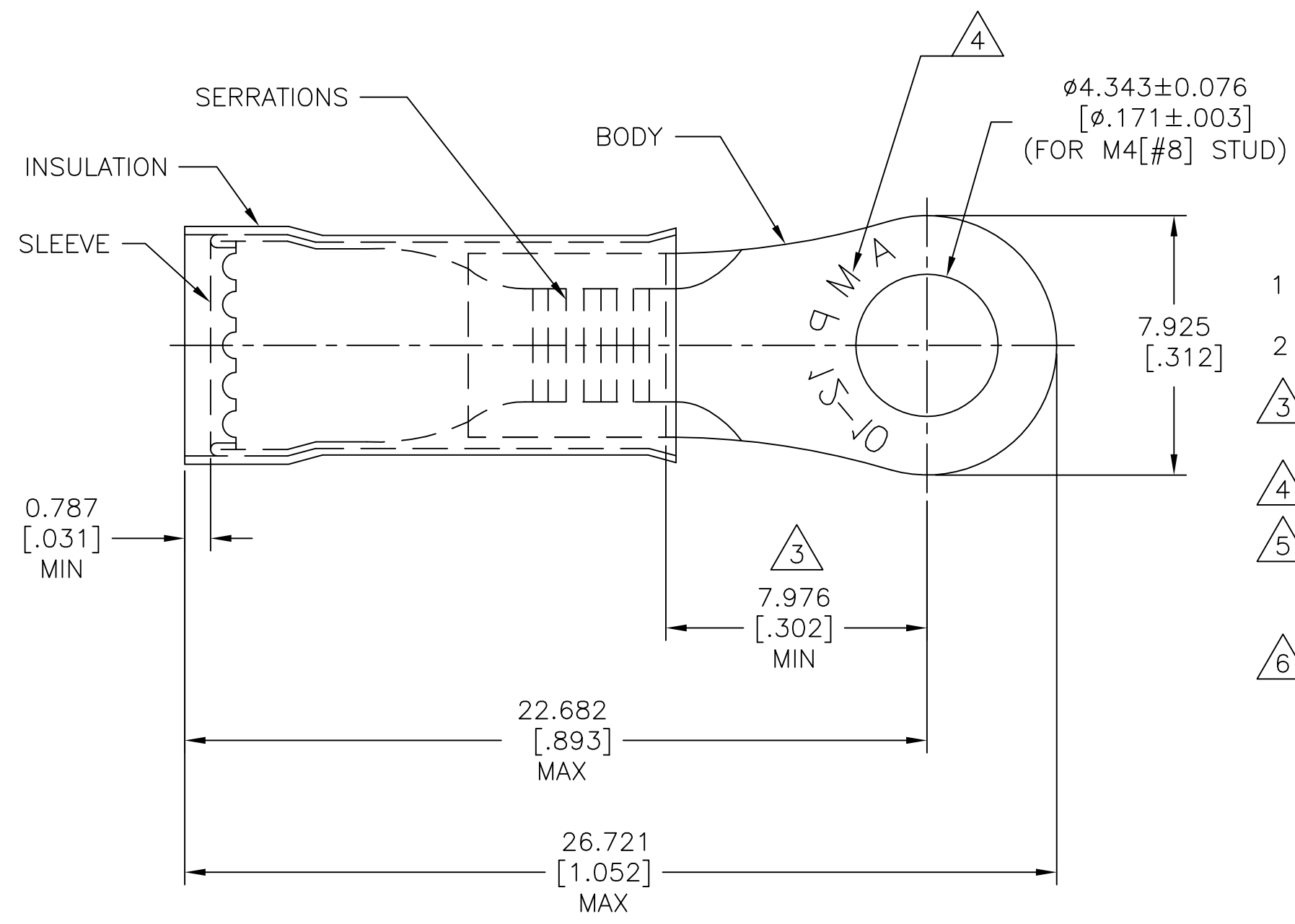


REVISIONS					
P	LTR	DESCRIPTION	DATE	DWN	APVD
	G1	REVISED PER ECR-09-017960	27AUG09	HMR	JR
	G2	REVISED PER ECO-17-007400	28NOV2017	RS	DR

<b>AMP</b> WIRE RANGE	E13288 Listed	LR7189 Certified
12-10 AWG SOLID OR STRANDED	12-10 AWG SOLID OR STRANDED	12-10 AWG SOLID OR STRANDED



- 1 FOR  $\phi 3.810[\phi.150]$  TO  $\phi 5.842[\phi.230]$  WIRE INSULATION.
- 2 BODY MATERIAL THK:  $1.016 \pm 0.051[.040 \pm .002]$
- 3 APPLIES FROM EDGE OF METAL WIRE BARREL TO CENTER OF STUD HOLE.
- 4 STAMP AMP 12-10\* APPROX AS SHOWN.
- 5 MATERIAL:  
BODY & SLEEVE: COPPER PER (ASTM-B152)  
INSULATION: NYLON.
- 6 FINISH:  
BODY & SLEEVE: TIN PLATED PER (ASTM-B545)  
INSULATION: COLOR-YELLOW.

500	LOOSE PIECE	324915
QTY	PACKAGE TYPE	PART NO

AMP INCORPORATED CUSTOMER SERVICE SYSTEMS		
FOR ADDITIONAL PRODUCT INFORMATION OR COPIES OF DRAWINGS AND TECHNICAL DOCUMENTS	PRODUCT INFORMATION CENTER 1-800-522-6752	MAX RECOMMENDED OPERATING TEMPERATURE: 105°C [221°F] MAX
FOR APPLICATION TOOLING INFORMATION	TOOLING ASSISTANCE CENTER 1-800-722-1111	
FOR ORDER ENTRY	1-800-526-5142	VOLTAGE RATING: 300 V MAX
		WIRE CROSS SECTIONAL AREA RANGE, 2.62-6.64mm <sup>2</sup> [5,180-13,100] SOLID OR STRANDED

THIS DRAWING IS A CONTROLLED DOCUMENT.	
DIMENSIONS: mm [INCHES]	TOLERANCES UNLESS OTHERWISE SPECIFIED:
	0 PLC ± -
	1 PLC ± -
	2 PLC ± -
	3 PLC ± .127[.005]
	4 PLC ± -
	ANGLES ± 5°
MATERIAL	FINISH
5	6

DWN RAGHAVENDRA 27AUG09	TE Connectivity			
CHK JEFF RUTH 27AUG09				
APVD TOM MICHIELUTTI 27AUG09	NAME WIRE TERMINAL PIDG - RING TONGUE WIRE SIZE: 12-10 AWG			
PRODUCT SPEC UL 486 A-B	SIZE	CAGE CODE	DRAWING NO	RESTRICTED TO
APPLICATION SPEC 114-2157	A3	00779	C-324915	-
WEIGHT -	CUSTOMER DRAWING		SCALE 6:1	SHEET 1 OF 1
				REV G2

# Mouser Electronics

Authorized Distributor

Click to View Pricing, Inventory, Delivery & Lifecycle Information:

[TE Connectivity:](#)

[324915](#)