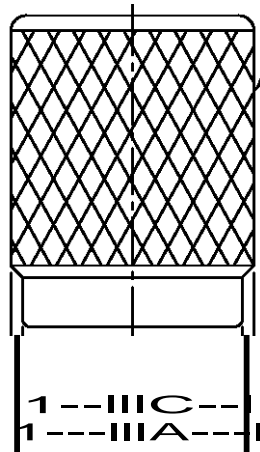
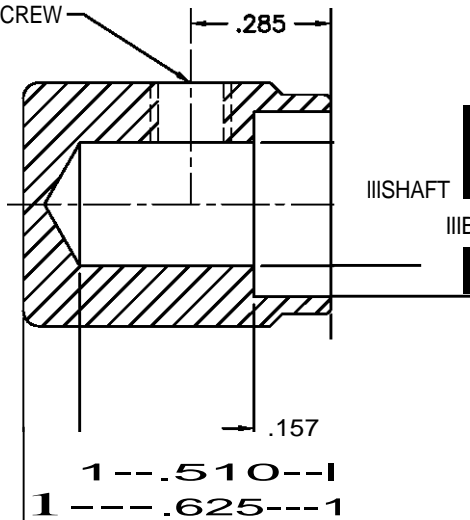


ARROW INDICATOR SHOWN



DIAMOND KNURL

6-32 SET SCREW



REVISIONS			
ZONE	DESCRIPTION	DATE	APPROVED

INDICATOR	MODEL	A	B	C	COLOR CHOICE	SHAFT
A - ARROW	50	.500	.375	.445	1 - CLEAR GLOSS	5 - .250
L - LINE	63	.625	.500	.570	2 - BLACK GLOSS	6 - .125
NI - No Indicator	75	.750	.590	.695	3 - CLEAR MATIE	7 - 6MM
	90	.925	.708	.882	4 - BLACK MATIE	

UNLESS OTHERWISE SPECIFIED:

DIMENSIONS ARE IN INCHES

TOLERANCES

X = ±.03

JXX = ±.01

JXX = ±.005

ANGLES = ±5°

BREAK ALL SHARP EDGES .010-.020

ALL SMALL FILLETS .020 - .040

ALL FINISHED SURFACES 125/

DO NOT SCALE DRAWING

KILO INTERNATIONAL PROPRIETARY

THIS DOCUMENT AND THE DATA DISCLOSED HEREIN OR HEREWITH IS NOT TO BE REPRODUCED, USED OR DISCLOSED IN WHOLE OR IN PART TO ANYONE WITHOUT WRITTEN PERMISSION OF KILO INTERNATIONAL.

**KILO**  
INTERNATIONAL

1958 IRONTON BOULEVARD  
P.O. BOX 21005  
PROVO, UTAH 84606 USA

WWW.KILOINTERNATIONAL.COM

DRAWN K FOWLER	DATE 03/05	SIZE B	FSCM NO.	DWG NO. OEJ-0002	REV A
APPROVED C JOHNSON	03/05	SCALE: 4/1	TITLE OEJ CATALOG	SHEET 1 OF 1	