

PRODUCT NUMBER BPS8B96FLD-00-----

WITH "LF" SUFFIX	LEAD FREE OR RoHS COMPATIBLE PRODUCT
WITHOUT SUFFIX	LEADED PRODUCT

WIRE ACCOMODATION		
PRODUCT NUMBER	WIRE SIZE	CONTACT IDENTIFICATION
BPS8B96FLD000--	AWG28/30	0
BPS8B96FLD200--	AWG24/26	2

CONTACT PLATING	
PLATING CODE	PERFORMANCE LEVEL PER DIN41612
Z0	CLASS 3
Z1	CLASS 2
E9	CLASS 1
L9	-

**NOTES:-**  
 1. THE "LF" PRODUCTS MEET EUROPEAN UNION DIRECTIVES AND OTHER COUNTRY REGULATIONS AS DESCRIBED IN GS-22-008  
 2. LEAD FREE OR RoHS DIRECTIVE LABELING TO BE PROVIDED AS PER GS-14-920 FOR RoHS COMPATIBLE VERSION.

**PERFORMANCES CHARACTERISTICS**

VOLTAGE RATING : 250 VAC (rms) OF INITIAL VALUE AFTER TEST.  
 CURRENT RATING : 1,5 A AT 25 °C, 1 A AT 70 °C.  
 INSULATION RESISTANCE : 1000MΩINITIAL, 100MΩMIN. AFTER TEST  
 DIELECTRIC WITH-  
 STANDING VOLTAGE : 1000 VAC (rms).  
 CONTACT RESISTANCE : 15mΩMAX. INITIAL, 5mΩMAX. RISE  
 OPERATING TEMPERATURE\*: -40 °C TO +125 °C.  
 INSERTION FORCE : 1 N MAX./CONTACT.  
 WITHDRAWAL FORCE : 0,2 N MIN./CONTACT.

\*DEPENDING ON THE CABLE, THE MAX. TEMPERATURE CAN BE LOWER.  
 FOR STANDARD PVC INSULATED CABLE : 105 °C MAX.

**CONSTRUCTION**

BODY MATERIAL : GLASS-REINFORCED THERMOPLASTIC (UL94V-0).  
 CONTACT MATERIAL : PHOSPHOR BRONZE.  
 CONTACT FINISH : Au OVER Ni IN CONTACT AREA  
 SnPb ON I.D.C. TERMINAL FOR LEADED PRODUCTS.  
 Sn (MATTE TIN) ON I.D.C. TERMINAL FOR LEAD FREE PRODUCTS.

Z0 : PERFORMANCE LEVEL PER DIN41612 CLASS 3  
 Z1 : PERFORMANCE LEVEL PER DIN41612 CLASS 2  
 E9 : PERFORMANCE LEVEL PER DIN41612 CLASS 1  
 L9 : 1.25 μm Au OVER NI

**PART NUMBERS**

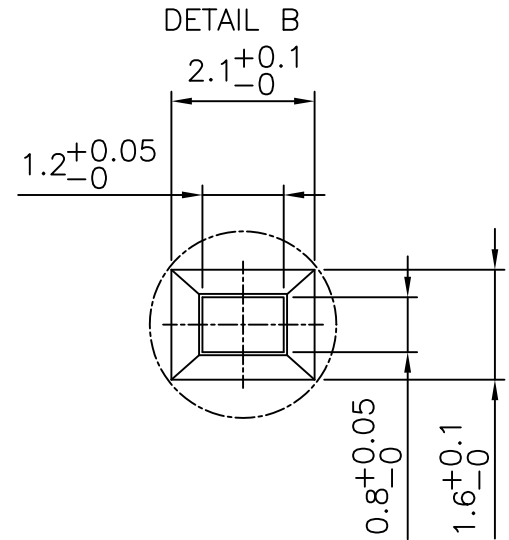
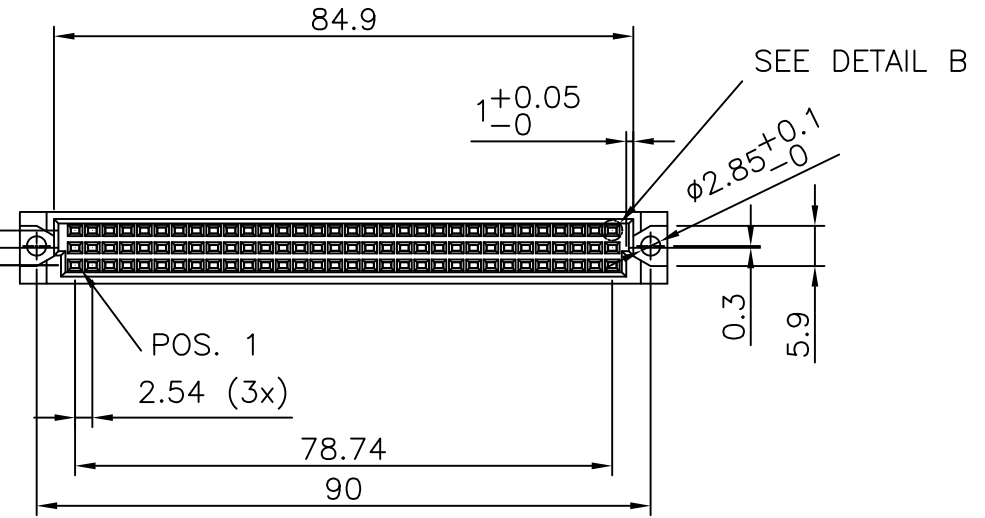
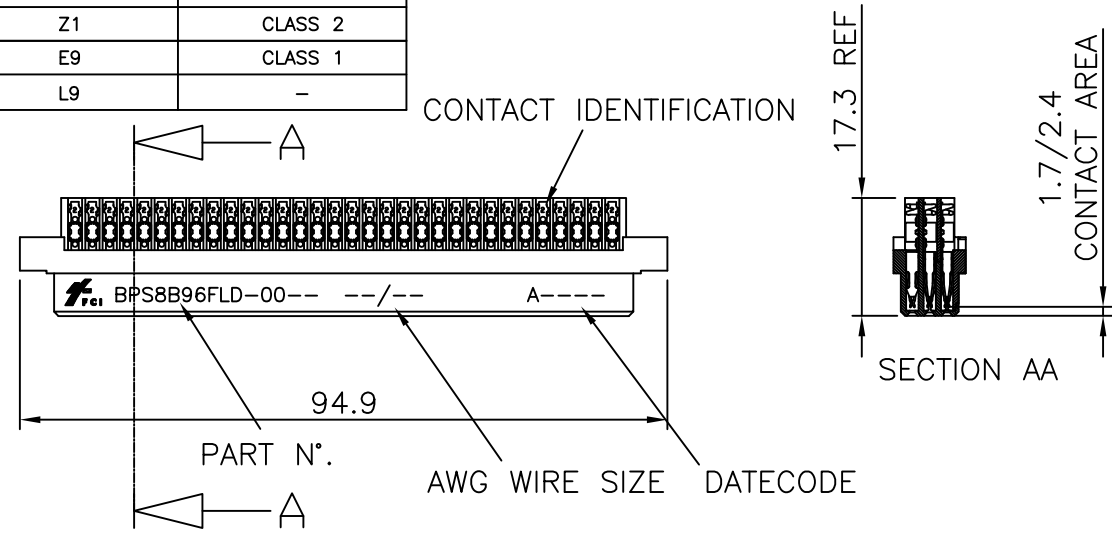
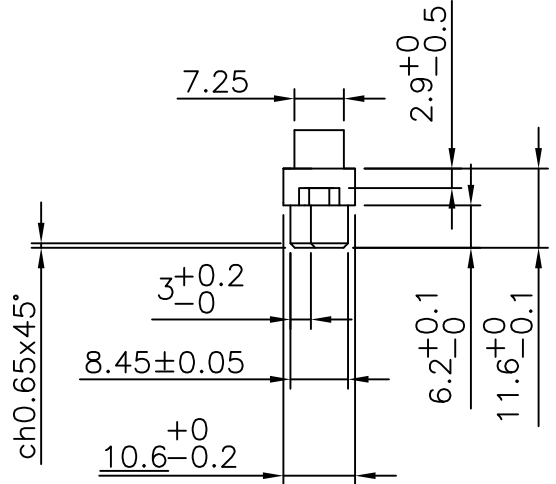
BPS8B96FLD000----- CONNECTOR FOR WIRE SIZE AWG28, AWG30.  
 (CONTACT IDENTIFICATION : 0).  
 BPS8B96FLD200----- CONNECTOR FOR WIRE SIZE AWG24, AWG26  
 (CONTACT IDENTIFICATION : 2).

**AWG WIRE SIZE MARKING**

BPS8B96FLD000-- : 28/30.  
 BPS8B96FLD000--LF : 28/30.  
 BPS8B96FLD200-- : 24/26.  
 BPS8B96FLD200--LF : 24/26.

**DATECODE MARKING**

A + YEAR & WEEKCODE, EXAMPLE : A9950.



mat'l. code				surface		tolerance		projection		product family	
SEE NOTE				ISO 1302 ✓		ISO 406 ISO 1101		mm		BPS8	
				tolerances unless otherwise specified						title	
A F00819 DLE 2000-10-19				angles		0.1±0.2				ASSY BPS8	
B F00835 GCO 2000-11-09				linear		0.01±0.1				96 POS. A,B,C LOADED	
C I05-0123 MINI 2005-07-27				±1°				scale -			
D I06-0067 MINI 2006-06-01				dr		D.LEGRAND 2000-10-19		dwg no		sheet 1 of 5 size	
E ELX-I-24377 MJA 2016-06-24				enr		J.F.NOTTEAU 2000-10-19		55365		A3	
F ELX-I-25060 MJA 2016-09-28				chr		M JACOB 2016-09-28		type		Product Customer Drawing	
				appd		BUJ K PAUL 2016-09-28					
sheet index		revision sheet		F D		D F A					
		1 2		3 4		5					



Copyright FCI

**NOTES:-**

1. THE "LF" PRODUCTS MEET EUROPEAN UNION DIRECTIVES AND OTHER COUNTRY REGULATIONS AS DESCRIBED IN GS-22-008
2. LEAD FREE OR RoHS DIRECTIVE LABELING TO BE PROVIDED AS PER GS-14-920 FOR RoHS COMPATIBLE VERSION.

**PERFORMANCES CHARACTERISTICS**

VOLTAGE RATING : 250 VAC (rms)  
 CURRENT RATING : 1,5 A AT 25 °C, 1 A AT 70 °C.  
 INSULATION RESISTANCE : 1000MΩINITIAL, 100MΩMIN. AFTER TEST  
 DIELECTRIC WITH-  
 STANDING VOLTAGE : 1000 VAC (rms).  
 CONTACT RESISTANCE : 15mΩMAX. INITIAL, 5mΩMAX. RISE OF INITIAL VALUE AFTER TEST.  
 OPERATING TEMPERATURE\*: -40 °C TO +125 °C.  
 INSERTION FORCE : 1 N MAX./CONTACT.  
 WITHDRAWAL FORCE : 0,2 N MIN./CONTACT.  
 \*DEPENDING ON THE CABLE, THE MAX. TEMPERATURE CAN BE LOWER.  
 FOR STANDARD PVC INSULATED CABLE : 105 °C MAX.

**CONSTRUCTION**

BODY MATERIAL : GLASS-REINFORCED THERMOPLASTIC (UL94V-0).  
 CONTACT MATERIAL : PHOSPHOR BRONZE.  
 CONTACT FINISH : 1.25 μm Au MIN. OVER 2 μm Ni MIN. IN CONTACT AREA  
 SnPb ON I.D.C. TERMINAL FOR LEADED PRODUCTS.  
 Sn (MATTE TIN) ON I.D.C. TERMINAL FOR LEAD FREE PRODUCTS.  
 CABLE : 3M FLEXIBLE TWISTED PAIR CABLE (WIRES & CABLE) TYPE 3782 PER UL STYLE/20488 OR TYPE 3783 PER UL STYLE/2935.

**PART NUMBERS**

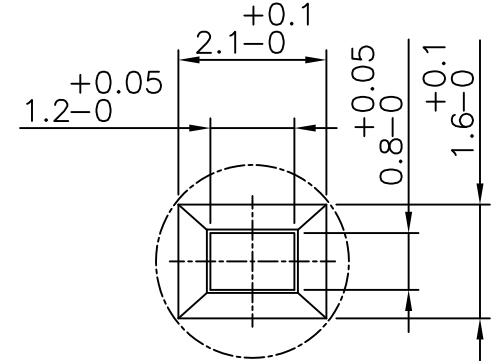
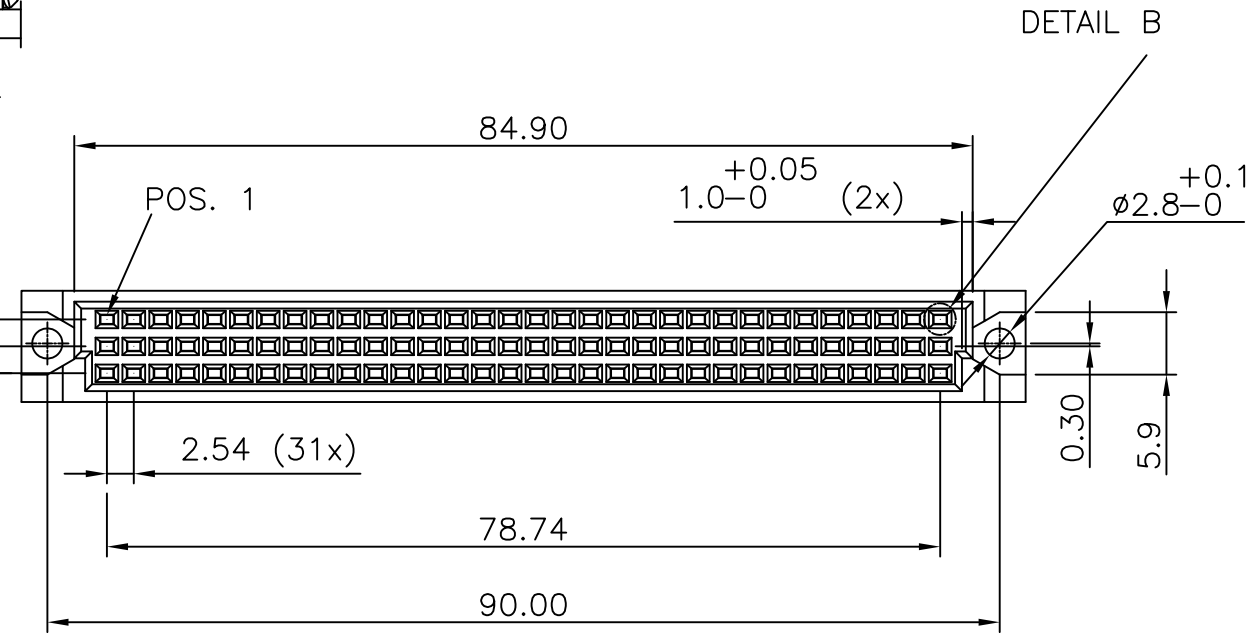
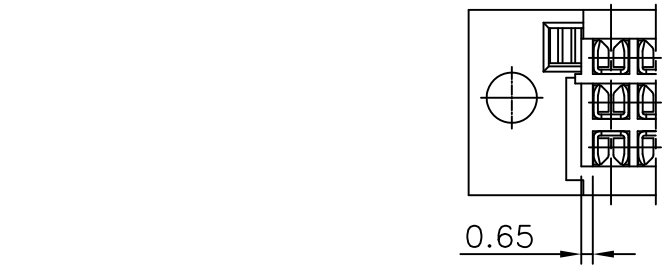
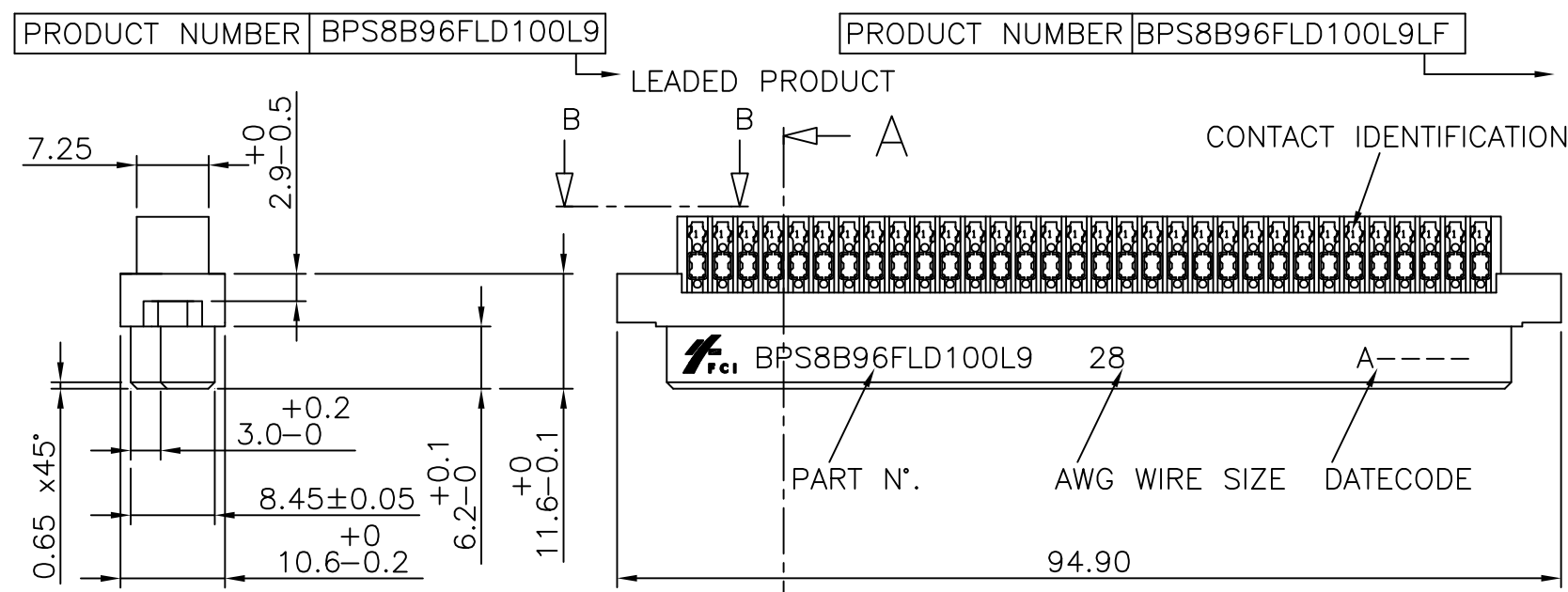
BPS8B96FLD100L9-- CONNECTOR FOR WIRE SIZE AWG28 (CONTACT IDENTIFICATION : 1).

**AWG WIRE SIZE MARKING**

BPS8B96FLD100L9 : 28.  
 BPS8B96FLD100L9LF : 28.

**DATECODE MARKING**

A + YEAR & WEEKCODE, EXAMPLE : A9950.



mat'l. code				surface		tolerance		projection		product family	
SEE NOTE				ISO 1302 ✓		ISO 406 ISO 1101		mm		BPS8	
ltr				ecn no		dr		date		title	
D				angles		linear		mm		ASSY BPS8	
				±0°30'		0.1±0.01		scale -		96 POS. A,B,C LOADED	
				dr		D.LEGRAND		2000-10-20		dwg no	
				enr		J.F.NOTTEAU		2000-10-20		sheet 2 of 5	
				chr		RAKHEE GEORGE		2006-06-01		55365	
				appd		RAKHEE GEORGE		2006-06-01		A3	
sheet index		revision sheet								type	
										Product Customer Drawing	



Copyright FCI

PRODUCT NUMBER	BPS8B96FLD-C0----	WITH "LF" SUFFIX	LEAD FREE OR RoHS COMPATIBLE PRODUCT
		WITHOUT SUFFIX	LEADED PRODUCT

**NOTES:-**

1. THE "LF" PRODUCTS MEET EUROPEAN UNION DIRECTIVES AND OTHER COUNTRY REGULATIONS AS DESCRIBED IN GS-22-008
2. LEAD FREE OR RoHS DIRECTIVE LABELING TO BE PROVIDED AS PER GS-14-920 FOR RoHS COMPATIBLE VERSION.

WIRE ACCOMODATION		
PRODUCT NUMBER	WIRE SIZE	CONTACT IDENTIFICATION
BPS8B96FLD0C0--	AWG28/30	0
BPS8B96FLD2C0--	AWG24/26	2

CONTACT PLATING	
PLATING CODE	PERFORMANCE LEVEL PER DIN41612
Z0	CLASS 3
Z1	CLASS 2
E9	CLASS 1

**PERFORMANCES CHARACTERISTICS**

VOLTAGE RATING : 250 VAC (rms)  
 CURRENT RATING : 1,5 A AT 25 °C, 1 A AT 70 °C.  
 INSULATION RESISTANCE : 1000MΩINITIAL, 100MΩMIN. AFTER TEST  
 DIELECTRIC WITHSTANDING VOLTAGE : 1000 VAC (rms).  
 CONTACT RESISTANCE : 15mΩMAX. INITIAL, 5mΩMAX. RISE OF INITIAL VALUE AFTER TEST.  
 OPERATING TEMPERATURE\*: -40 °C TO +125 °C.  
 INSERTION FORCE : 1 N MAX./CONTACT.  
 WITHDRAWAL FORCE : 0,2 N MIN./CONTACT.

\*DEPENDING ON THE CABLE, THE MAX. TEMPERATURE CAN BE LOWER.  
 FOR STANDARD PVC INSULATED CABLE : 105 °C MAX.

**CONSTRUCTION**

BODY MATERIAL : GLASS-REINFORCED THERMOPLASTIC (UL94V-0).  
 COVER MATERIAL : POLYPHENYLENE (PPO), COLOUR : BLACK.  
 CONTACT MATERIAL : PHOSPHOR BRONZE.  
 CONTACT FINISH : Au OVER Ni IN CONTACT AREA  
 SnPb ON I.D.C. TERMINAL FOR LEADED PRODUCTS.  
 Sn (MATTE TIN) ON I.D.C. TERMINAL FOR LEAD FREE PRODUCTS.  
 Z0 : PERFORMANCE LEVEL PER DIN41612 CLASS 3  
 Z1 : PERFORMANCE LEVEL PER DIN41612 CLASS 2  
 E9 : PERFORMANCE LEVEL PER DIN41612 CLASS 1  
 OTHERS : CONSULT FCI  
 TIE-WRAP : OPTIONAL (PART N°. TF4)

**PART NUMBERS**

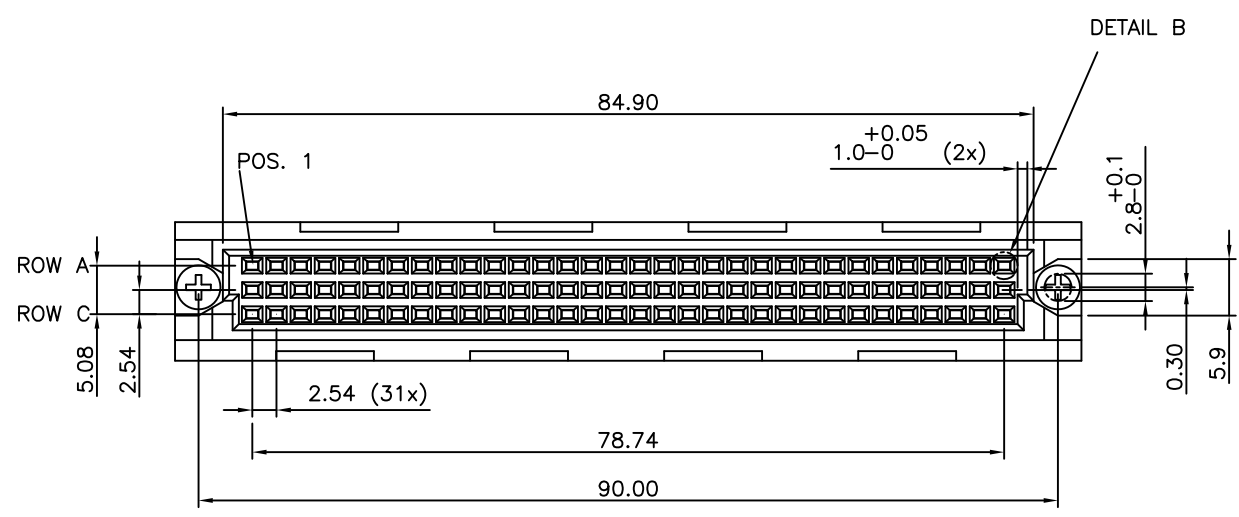
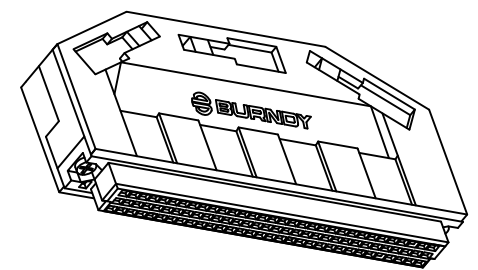
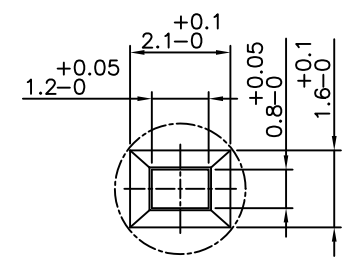
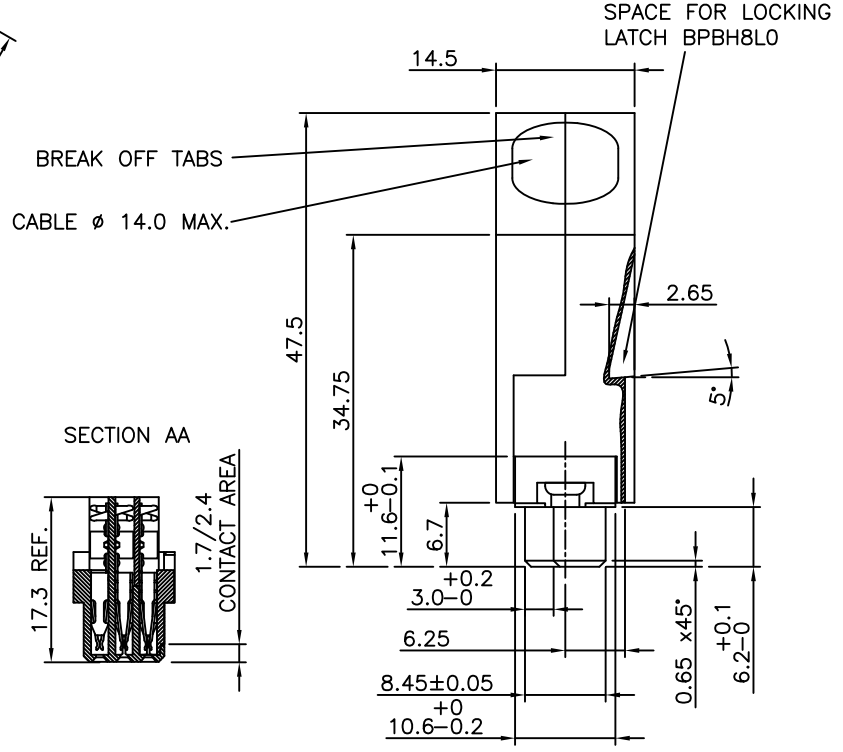
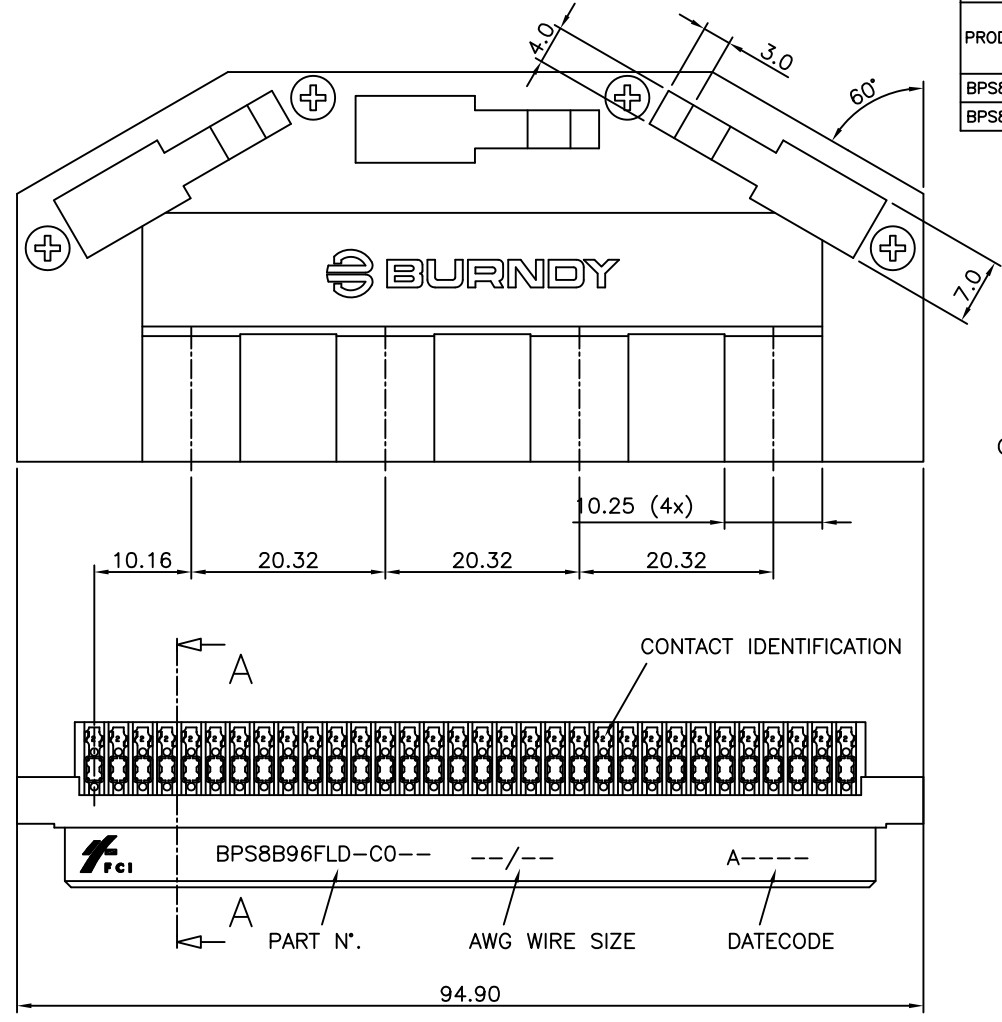
BPS8B96FLD0C0----CONNECTOR FOR WIRE SIZE AWG28, AWG30.  
 (CONTACT IDENTIFICATION : 0).  
 BPS8B96FLD2C0----CONNECTOR FOR WIRE SIZE AWG24, AWG26  
 (CONTACT IDENTIFICATION : 2).

**AWG WIRE SIZE MARKING**

BPS8B96FLD0C0-- : 28/30.  
 BPS8B96FLD0C0--LF : 28/30.  
 BPS8B96FLD2C0-- : 24/26.  
 BPS8B96FLD2C0--LF : 24/26.

**DATECODE MARKING**

A + YEAR & WEEKCODE, EXAMPLE : A9950.



mat'l. code		surface		tolerance		projection		product family	
SEE NOTES		ISO 1302 ✓		ISO 406 ISO 1101		mm		BPS8	
ltr		ecn no		dr		date		title	
								ASSY BPS8	
d		angles		linear		mm		96 POS. A,B,C LOADED	
		±1°				scale -			
dr		D.LEGRAND		2000-10-23		dwg no		sheet 3 of 5 size	
enr		J.F.NOTTEAU		2000-10-23		55365		A3	
chr		RAKHEE GEORGE		2006-06-01		type		Product Customer Drawing	
appd		RAKHEE GEORGE		2006-06-01					
sheet index		revision sheet							



Copyright FCI



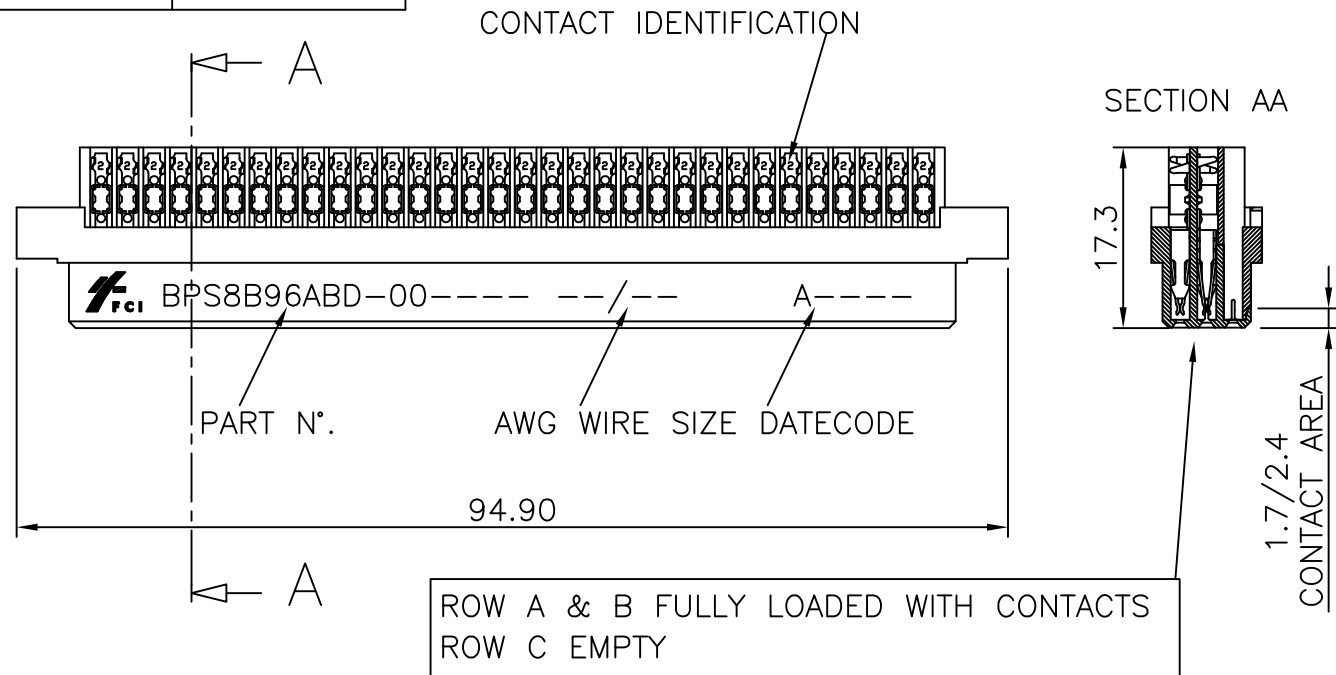
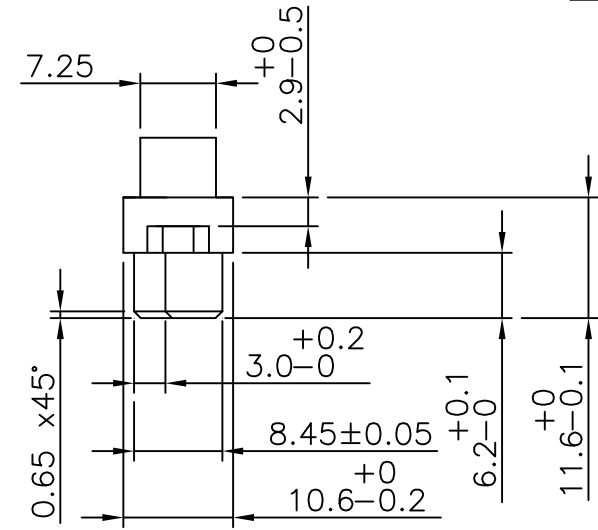
PRODUCT NUMBER BPS8B96ABD-00-----

WITH "LF" SUFFIX	LEAD FREE OR RoHS COMPATIBLE PRODUCT
WITHOUT SUFFIX	LEADED PRODUCT

NOTES:-  
 1. THE "LF" PRODUCTS MEET EUROPEAN UNION DIRECTIVES AND OTHER COUNTRY REGULATIONS AS DESCRIBED IN GS-22-008  
 2. LEAD FREE OR RoHS DIRECTIVE LABELING TO BE PROVIDED AS PER GS-14-920 FOR RoHS COMPATIBLE VERSION.

WIRE ACCOMODATION		
PRODUCT NUMBER	WIRE SIZE	CONTACT IDENTIFICATION
BPS8B96ABD000--	AWG28/30	0
BPS8B96ABD200--	AWG24/26	2

CONTACT PLATING	
PLATING CODE	PERFORMANCE LEVEL PER DIN41612
Z0	CLASS 3
Z1	CLASS 2
E9	CLASS 1



ROW A & B FULLY LOADED WITH CONTACTS  
 ROW C EMPTY

PERFORMANCES CHARACTERISTICS

VOLTAGE RATING : 250 VAC (rms)  
 CURRENT RATING : 1,5 A AT 25 °C, 1 A AT 70 °C.  
 INSULATION RESISTANCE : 1000MΩINITIAL, 100MΩMIN. AFTER TEST  
 DIELECTRIC WITH-  
 STANDING VOLTAGE : 1000 VAC (rms).  
 CONTACT RESISTANCE : 15mΩMAX. INITIAL, 5mΩMAX. RISE OF INITIAL VALUE AFTER TEST.  
 OPERATING TEMPERATURE\*: -40 °C TO +125 °C.  
 INSERTION FORCE : 1 N MAX./CONTACT.  
 WITHDRAWAL FORCE : 0,2 N MIN./CONTACT.  
 \*DEPENDING ON THE CABLE, THE MAX. TEMPERATURE CAN BE LOWER. FOR STANDARD PVC INSULATED CABLE : 105 °C MAX.

CONSTRUCTION

BODY MATERIAL : GLASS-REINFORCED THERMOPLASTIC (UL94V-0).  
 CONTACT MATERIAL : PHOSPHOR BRONZE.  
 CONTACT FINISH : Au OVER Ni IN CONTACT AREA  
 SnPb ON I.D.C. TERMINAL FOR LEADED PRODUCTS.  
 Sn (MATTE TIN) ON I.D.C. TERMINAL FOR LEAD FREE PRODUCTS.

Z0 : PERFORMANCE LEVEL PER DIN41612 CLASS 3  
 Z1 : PERFORMANCE LEVEL PER DIN41612 CLASS 2  
 E9 : PERFORMANCE LEVEL PER DIN41612 CLASS 1

PART NUMBERS

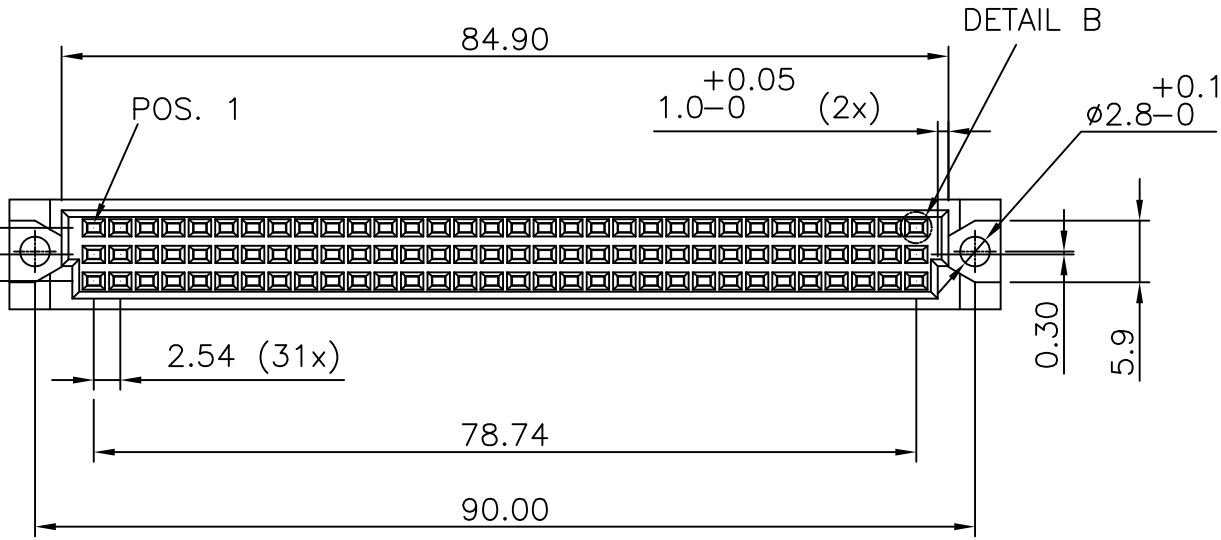
BPS8B96ABD000----- CONNECTOR FOR WIRE SIZE AWG28, AWG30 (CONTACT IDENTIFICATION : 0).  
 BPS8B96ABD200----- CONNECTOR FOR WIRE SIZE AWG24, AWG26 (CONTACT IDENTIFICATION : 2).

AWG WIRE SIZE MARKING

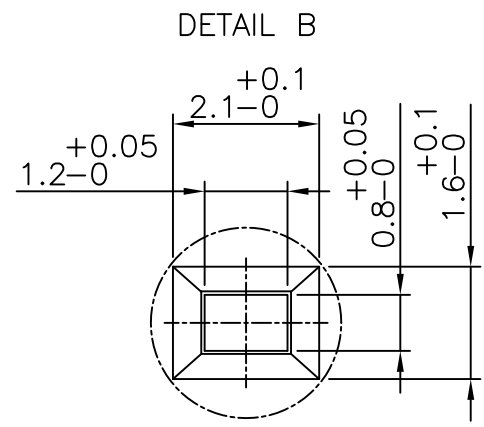
BPS8B96ABD000-- : 28/30.  
 BPS8B96ABD000--LF : 28/30.  
 BPS8B96ABD200-- : 24/26.  
 BPS8B96ABD200--LF : 24/26.

DATECODE MARKING

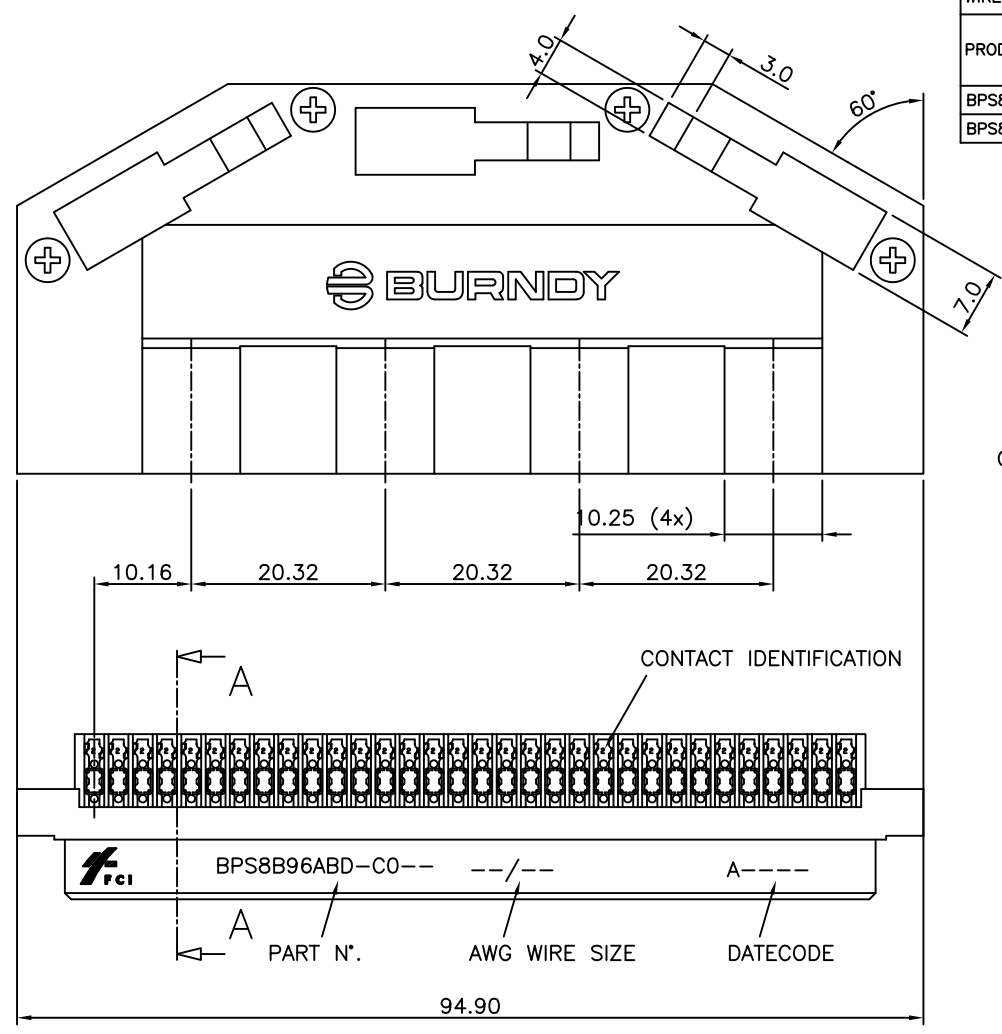
A + YEAR & WEEKCODE, EXAMPLE : A9950.



ROW A  
 ROW B  
 ROW C EMPTY



mat'l. code				surface		tolerance		projection		product family	
SEE NOTE				ISO 1302 ✓		ISO 406 ISO 1101		mm		BPS8	
ltr				ecn no		dr		date		title	
F										ASSY BPS8	
				angles		linear		mm		96 POS. A,B LOADED	
				±1°				scale -		dwg no	
				dr		D.LEGRAND		2000-10-20		sheet 4 of 5	
				enr		J.F.NOTTEAU		2000-10-20		size	
				chr		M JACOB		2016-09-28		A3	
				appd		BIJU K PAUL		2016-09-28		type	
										Product Customer Drawing	
sheet index		revision sheet									



PRODUCT NUMBER		BPS8B96ABD-C0----	
WITH "LF" SUFFIX	LEAD FREE OR RoHS COMPATIBLE PRODUCT		
WITHOUT SUFFIX	LEADED PRODUCT		

WIRE ACCOMODATION		
PRODUCT NUMBER	WIRE SIZE	CONTACT IDENTIFICATION
BPS8B96ABD0C0--	AWG28/30	0
BPS8B96ABD2C0--	AWG24/26	2

CONTACT PLATING	
PLATING CODE	PERFORMANCE LEVEL PER DIN41612
Z0	CLASS 3
Z1	CLASS 2
E9	CLASS 1

**NOTES:-**  
 1. THE "LF" PRODUCTS MEET EUROPEAN UNION DIRECTIVES AND OTHER COUNTRY REGULATIONS AS DESCRIBED IN GS-22-008  
 2. LEAD FREE OR RoHS DIRECTIVE LABELING TO BE PROVIDED AS PER GS-14-920 FOR RoHS COMPATIBLE VERSION.

**PERFORMANCES CHARACTERISTICS**  
 VOLTAGE RATING : 250 VAC (rms)  
 CURRENT RATING : 1,5 A AT 25 °C, 1 A AT 70 °C.  
 INSULATION RESISTANCE : 1000MΩINITIAL, 100MΩMIN. AFTER TEST  
 DIELECTRIC WITHSTANDING VOLTAGE : 1000 VAC (rms).  
 CONTACT RESISTANCE : 15mΩMAX. INITIAL, 5mΩMAX. RISE OF INITIAL VALUE AFTER TEST.  
 OPERATING TEMPERATURE\*: -40 °C TO +125 °C.  
 INSERTION FORCE : 1 N MAX./CONTACT.  
 WITHDRAWAL FORCE : 0,2 N MIN./CONTACT.

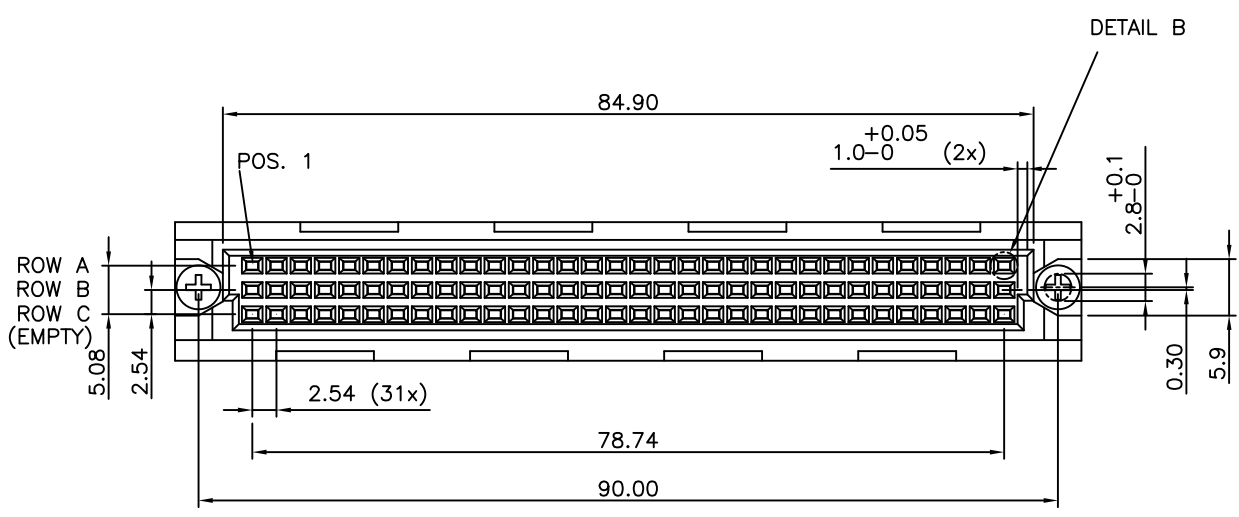
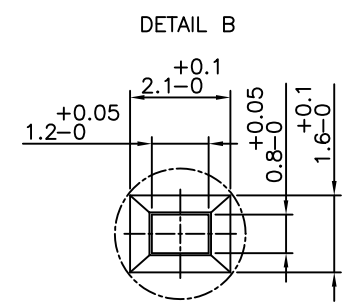
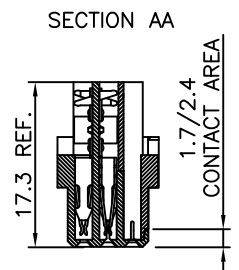
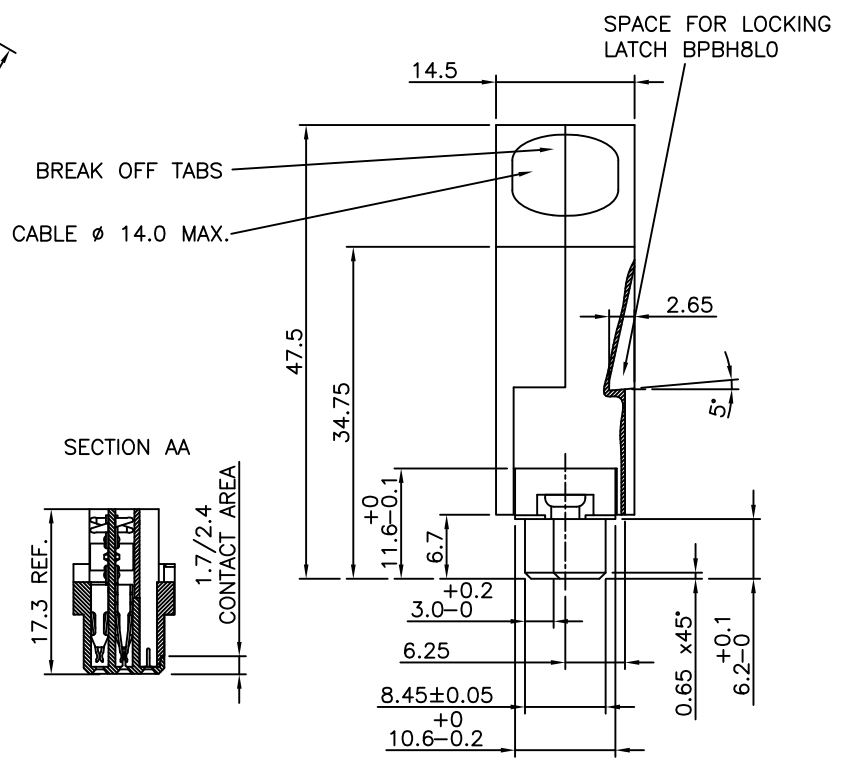
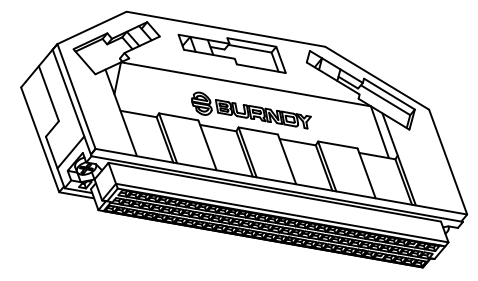
\*DEPENDING ON THE CABLE, THE MAX. TEMPERATURE CAN BE LOWER. FOR STANDARD PVC INSULATED CABLE : 105 °C MAX.

**CONSTRUCTION**  
 BODY MATERIAL : GLASS-REINFORCED THERMOPLASTIC (UL94V-0).  
 COVER MATERIAL : POLYPHENYLENE (PPO), COLOUR : BLACK.  
 CONTACT MATERIAL : PHOSPHOR BRONZE.  
 CONTACT FINISH : Au OVER Ni IN CONTACT AREA  
 SnPb ON I.D.C. TERMINAL FOR LEADED PRODUCTS.  
 Sn (MATTE TIN) ON I.D.C. TERMINAL FOR LEAD FREE PRODUCTS.  
 Z0 : PERFORMANCE LEVEL PER DIN41612 CLASS 3  
 Z1 : PERFORMANCE LEVEL PER DIN41612 CLASS 2  
 E9 : PERFORMANCE LEVEL PER DIN41612 CLASS 1  
 OTHERS : CONSULT FCI  
 TIE-WRAP : OPTIONAL (PART N°. TF4)

**PART NUMBERS**  
 BPS8B96ABD0C0----CONNECTOR FOR WIRE SIZE AWG28, AWG30. (CONTACT IDENTIFICATION : 0).  
 BPS8B96ABD2C0----CONNECTOR FOR WIRE SIZE AWG24, AWG26 (CONTACT IDENTIFICATION : 2).

**AWG WIRE SIZE MARKING**  
 BPS8B96ABD0C0-- : 28/30.  
 BPS8B96ABD0C0--LF : 28/30.  
 BPS8B96ABD2C0-- : 24/26.  
 BPS8B96ABD2C0--LF : 24/26.

**DATECODE MARKING**  
 A + YEAR & WEEKCODE, EXAMPLE : A9950.



mat'l. code				surface		tolerance		projection		product family	
SEE NOTES				ISO 1302		ISO 406 ISO 1101		mm		BPS8	
tolerances unless otherwise specified				linear		0.1±0.2		mm		title	
angles				±1°		0.01±0.1		scale		ASSY BPS8	
dr				M JACOB		2016-09-28		FCI		96 POS. A,B LOADED	
enr				M JACOB		2016-09-28		dwg no		sheet 5 of 5 size	
chr				STALIN ALOSIOUS		2016-09-28		55365		A3	
appd				BIJU K PAUL		2016-09-28		type		Product Customer Drawing	
sheet index		revision sheet									

# Mouser Electronics

Authorized Distributor

Click to View Pricing, Inventory, Delivery & Lifecycle Information:

## [FCI / Amphenol:](#)

[BPS8B96FLD200L9LF](#) [BPS8B96FLD200Z1LF](#) [BPS8B96FLD2C0Z0LF](#) [BPS8B96ABD200Z1LF](#)  
[BPS8B96FLD000E9LF](#) [BPS8B96FLD000Z1LF](#) [BPS8B96FLD0C0E9LF](#) [BPS8B96FLD0C0Z1LF](#)  
[BPS8B96FLD200E9LF](#) [BPS8B96FLD2C0E9LF](#) [BPS8B96FLD2C0Z1LF](#) [BPS8B96ABD2C0Z0LF](#)  
[BPS8B96ABD200Z0LF](#)