

4

3

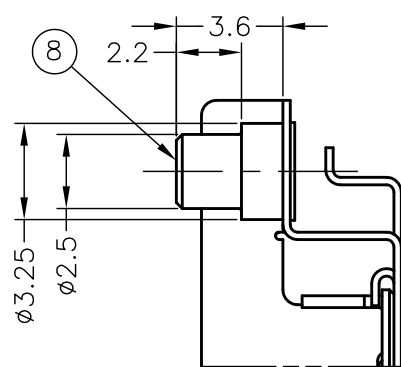
2

1

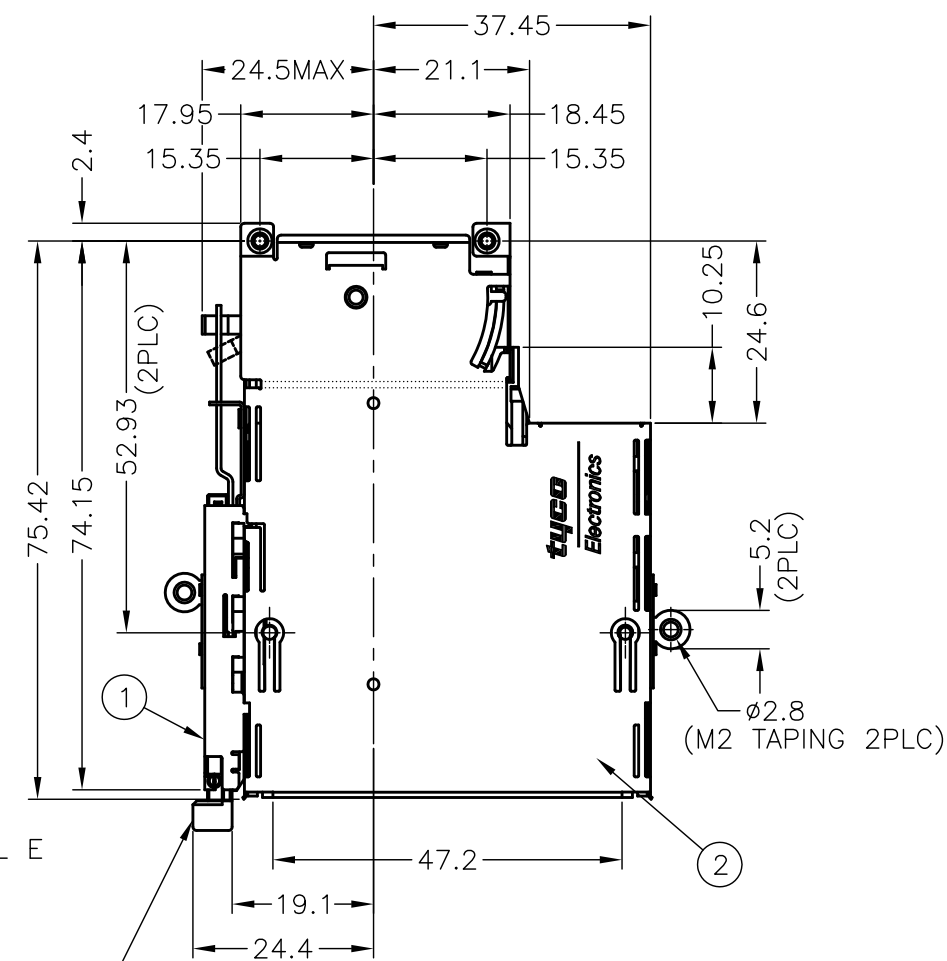
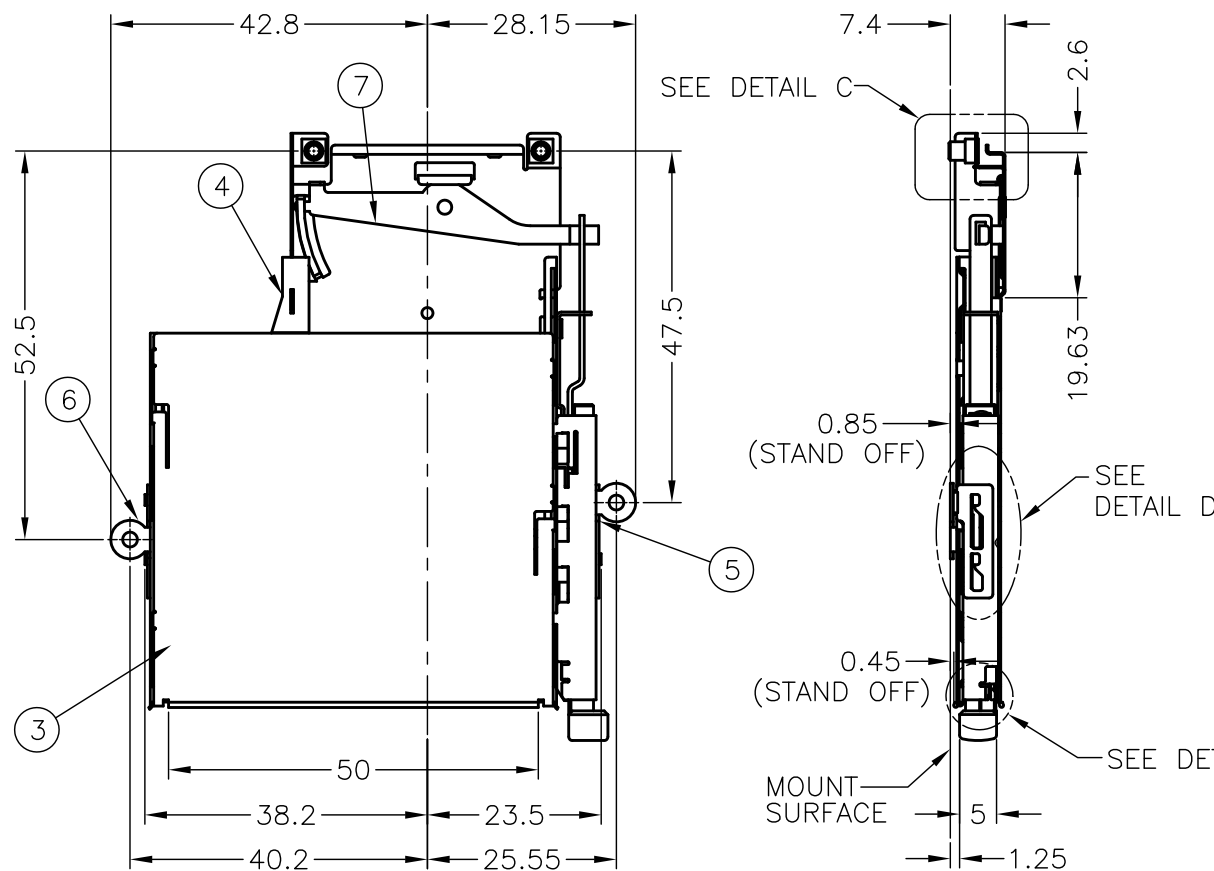
THIS DRAWING IS UNPUBLISHED. RELEASED FOR PUBLICATION
 © COPYRIGHT - By - ALL RIGHTS RESERVED.

LOC	DIST	REVISIONS			
P	LTR	DESCRIPTION	DATE	DWN	APVD
DW		D1	REVISED (ECR-13-008834)	11SEP2013	B.W H.K

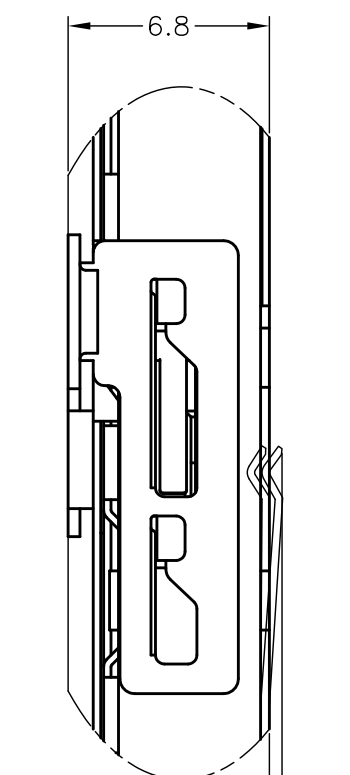
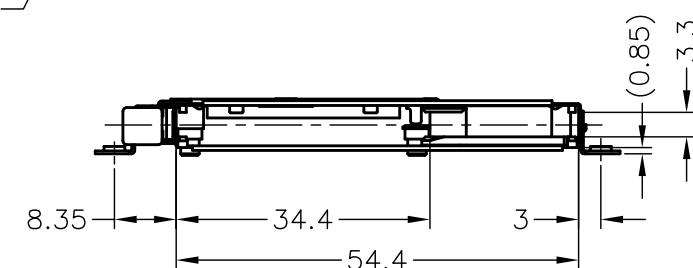
-3 : AS SHOWN



DETAIL C (SCALE 4:1)

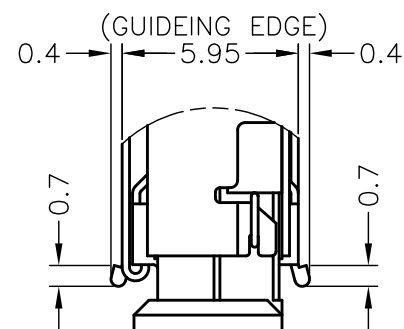


tyco Electronics
 BUTTON COLOR:
 GRAY(1759880-1)
 BLACK(1759880-3)



0.43MAX (AFTER CARD INSERTED)

DETAIL D (SCALE 4:1)



DETAIL E (SCALE 4:1)

THIS DRAWING IS A CONTROLLED DOCUMENT.		DWN	S.WATANABE	15AUG07	TE Connectivity NAME EXPRESS CARD CONNECTOR SHIELD FRAME ASSEMBLY, TOP MOUNT	
DIMENSIONS: mm		CHK	J.CHIANG	15AUG07		
TOLERANCES UNLESS OTHERWISE SPECIFIED:		APVD	H. KODAMA	15AUG07		
0 PLC ± 0.3 1 PLC ± 0.25 2 PLC ± 0.25 3 PLC ± - 4 PLC ± - ANGLES ± 1°		PRODUCT SPEC				
MATERIAL		APPLICATION SPEC		WEIGHT	18GRAM	
FINISH		CUSTOMER DRAWING		SIZE	A3	
		SCALE		1:1	CAGE CODE	A300779
		SHEET		1 of 4	DRAWING NO	1759880
		REV		D1	RESTRICTED TO	

4

3

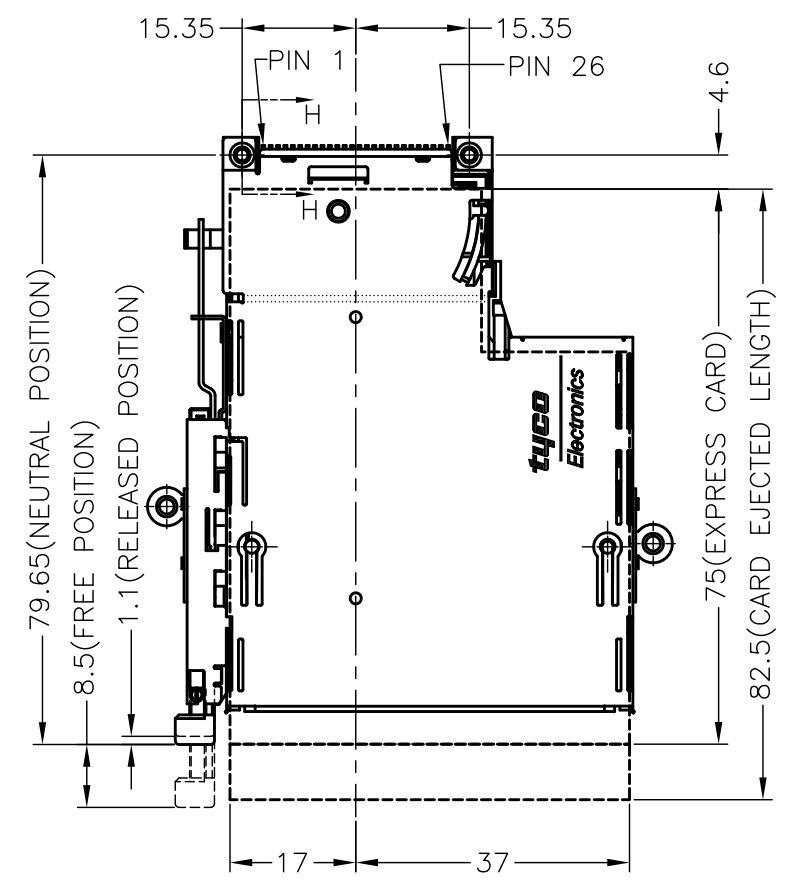
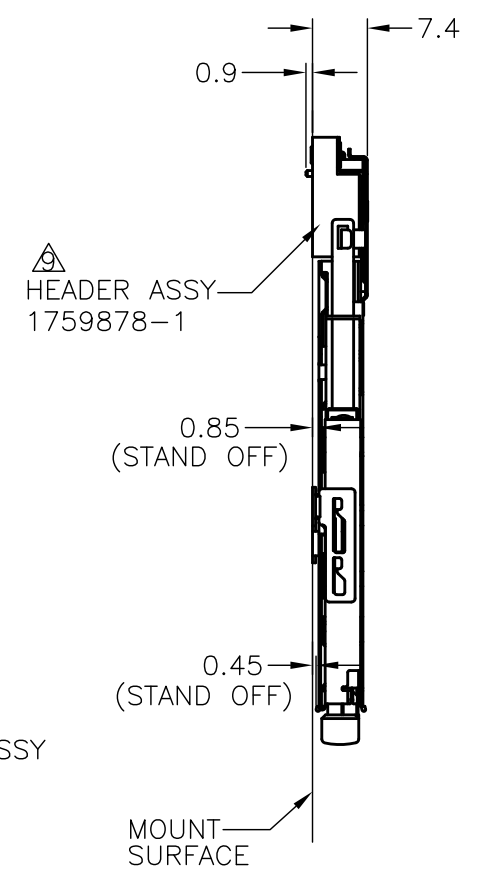
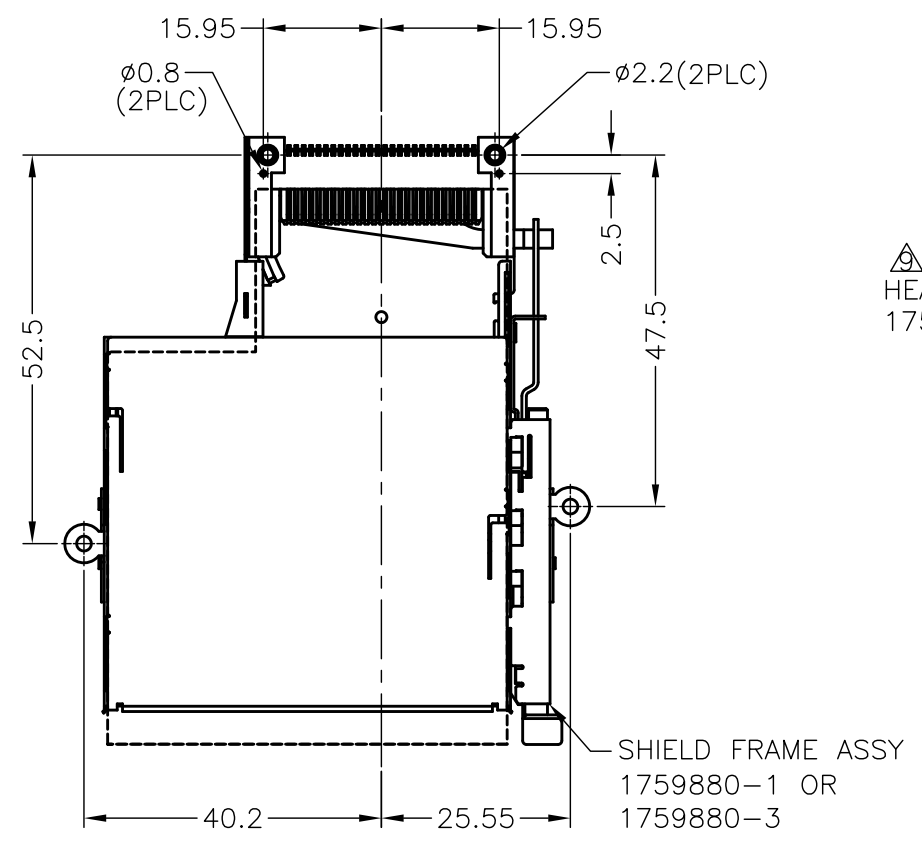
2

1

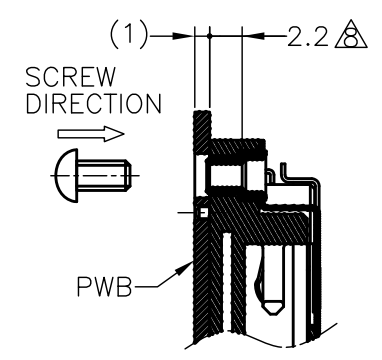
THIS DRAWING IS UNPUBLISHED. RELEASED FOR PUBLICATION
 © COPYRIGHT - By - ALL RIGHTS RESERVED.

LOC	DIST	REVISIONS			
P	LTR	DESCRIPTION	DATE	DWN	APVD
-	-	SEE SHEET 1	-	-	-

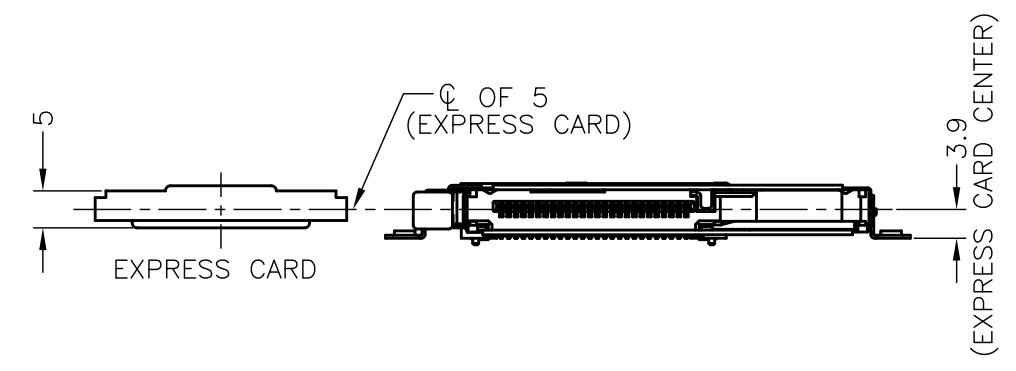
-3 : AS SHOWN



REFERENCE FIGURE WHICH ATTACHED HEADER ASSEMBLY



H-H SCALE 2:1



THIS DRAWING IS A CONTROLLED DOCUMENT.		DWN		TE Connectivity	
DIMENSIONS: mm		CHK			
TOLERANCES UNLESS OTHERWISE SPECIFIED:		APVD		NAME	
0 PLC ± 0.3 1 PLC ± 0.25 2 PLC ± 0.25 3 PLC ± - 4 PLC ± - ANGLES ± 1°		PRODUCT SPEC		EXPRESS CARD CONNECTOR SHIELD FRAME ASSEMBLY, TOP MOUNT	
MATERIAL		FINISH		RESTRICTED TO	
		WEIGHT		SIZE CAGE CODE DRAWING NO	
		CUSTOMER DRAWING		A3 00779 1759880	
		SCALE 1:1		SHEET 2 OF 4 REV D1	

THIS DRAWING IS UNPUBLISHED.

RELEASED FOR PUBLICATION

ALL RIGHTS RESERVED.

© COPYRIGHT - By -

LOC DW

DIST

P

LTR

REVISIONS

DESCRIPTION

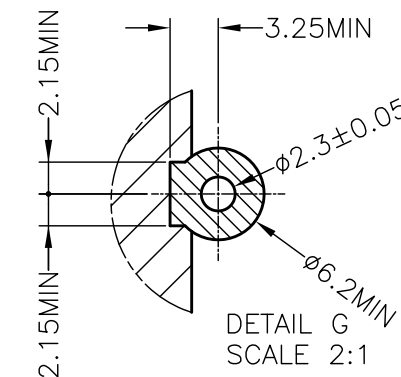
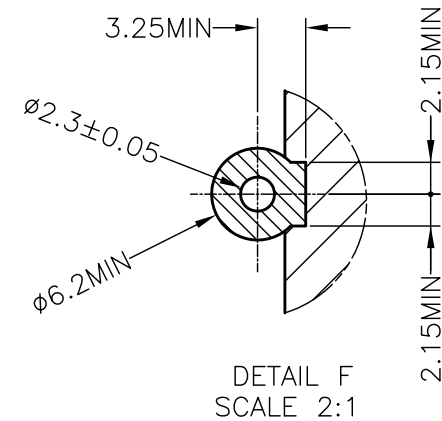
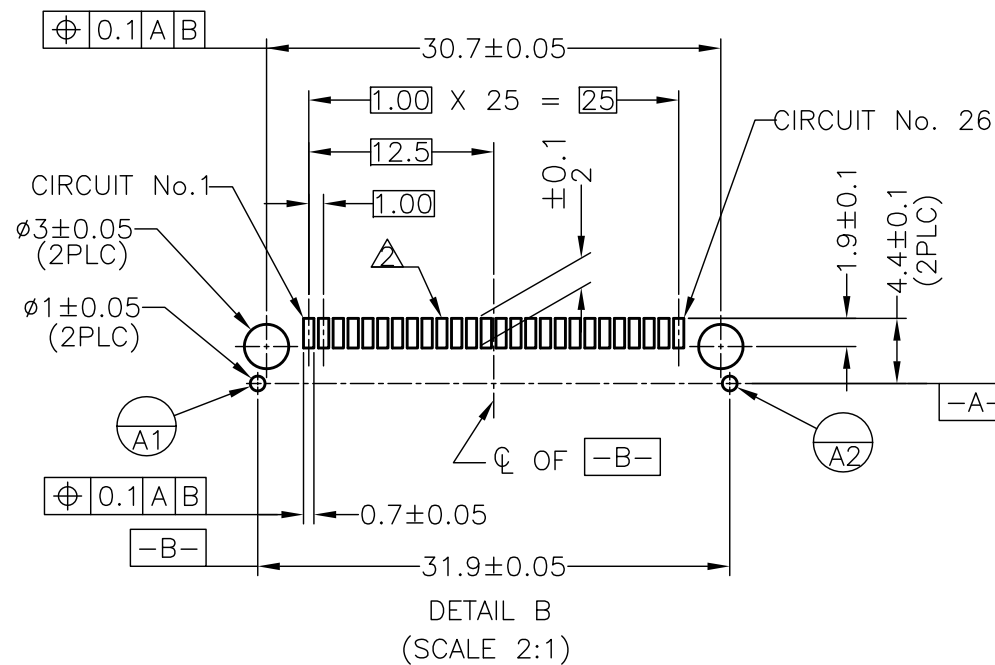
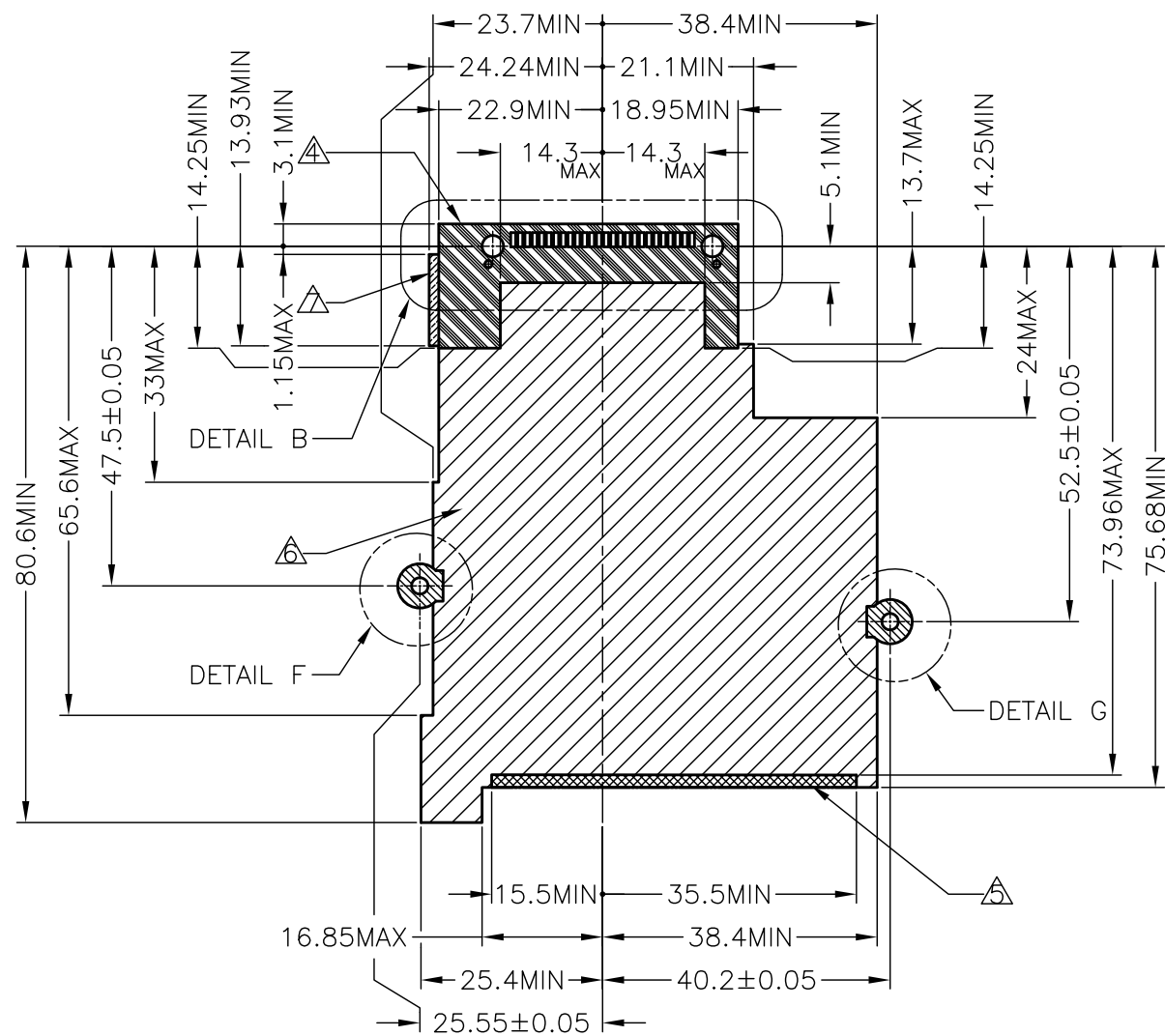
DATE

DWN

APVD

SEE SHEET 1

-3 : AS SHOWN



NOTES:

- RECOMMENDED TIGHTENING TORQUE 0.15~0.2Nm
- SOLDERING PAD
- GROUNDING PAD
- NO COMPONENT AND NO SIGNAL LINE AREA
- STAND OFF 0.45mm
- STAND OFF 0.85mm
- STAND OFF 3.25mm
- M2 SCREW LENGTH
- HEADER ASS'Y, 1759878-1, PURCHASED SEPARATELY

ITEM	NAME	MATERIAL	FINISH	1759880-3	1759880-2	1759880-1	Q'TY
⑧	BUSH (M2X0.4 TAP)	STAINLESS STEEL					2
⑦	ARM BAR	STAINLESS STEEL					1
⑥	BRACKET (R) (M2X0.4 TAP)	STAINLESS STEEL					1
⑤	BRACKET (L) (M2X0.4 TAP)	STAINLESS STEEL					1
④	GUIDE RAIL HSG	THERMOPLASTIC (UL94 V-0)	BLACK	BLACK	BLACK		1
③	LOWER SHELL	STAINLESS STEEL					1
②	UPPER SHELL	STAINLESS STEEL					1
①	PUSH PUSH ASSY	STAINLESS STEEL					1
		THERMOPLASTIC (UL94 V-0)	BLACK	GRAY	GRAY		

OBSOLETE

THIS DRAWING IS A CONTROLLED DOCUMENT.

DWN	
CHK	
APVD	
PRODUCT SPEC	
APPLICATION SPEC	
WEIGHT	
CUSTOMER DRAWING	

STE TE Connectivity

NAME			
EXPRESS CARD CONNECTOR SHIELD FRAME ASSEMBLY, TOP MOUNT			
SIZE	CAGE CODE	DRAWING NO	RESTRICTED TO
A3	00779	1759880	
SCALE	SHEET	REV	
1:1	3 OF 4	D1	

4

3

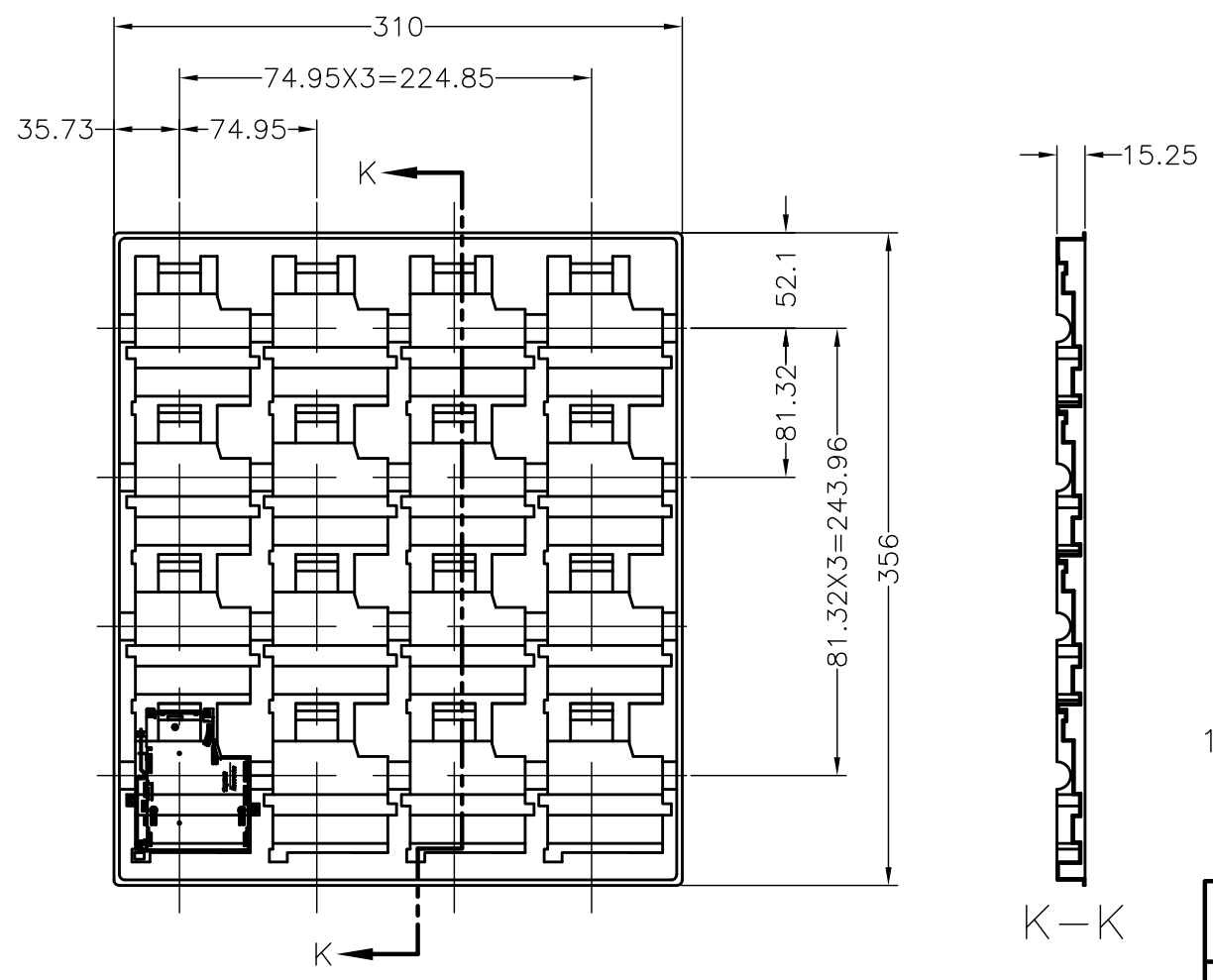
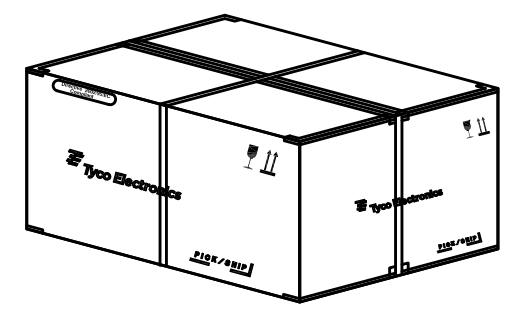
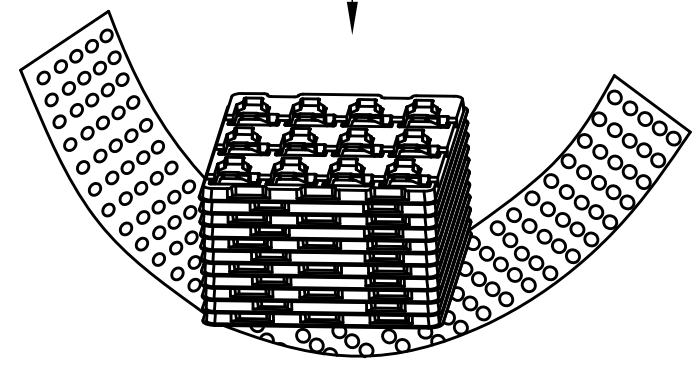
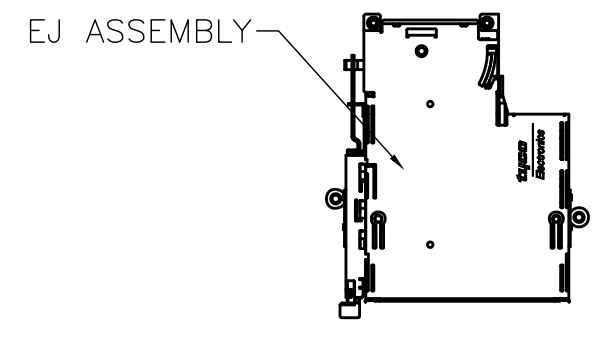
2

1

THIS DRAWING IS UNPUBLISHED. RELEASED FOR PUBLICATION
 © COPYRIGHT - By - ALL RIGHTS RESERVED.

LOC	DIST	REVISIONS				
P	LTR	DESCRIPTION	DATE	DWN	APVD	
DW	/	SEE SHEET 1	-	-	-	

-3 : AS SHOWN



10. PACKING MATERIAL :
 TRAY : PS
 SHIPPING CARTON : CORRUGATED FIBERBOARD

16	10	160
PCS/TRAY	TRAY/CARTON	TOTAL QTY

THIS DRAWING IS A CONTROLLED DOCUMENT.		DWN	TE TE Connectivity			
DIMENSIONS: mm		CHK				
TOLERANCES UNLESS OTHERWISE SPECIFIED:		APVD	NAME EXPRESS CARD CONNECTOR SHIELD FRAME ASSEMBLY, TOP MOUNT			
0 PLC ± 2		PRODUCT SPEC				
1 PLC ± 1		APPLICATION SPEC	SIZE	CAGE CODE	DRAWING NO	RESTRICTED TO
2 PLC ± 1		WEIGHT	A3	00779	1759880	-
3 PLC ± -		CUSTOMER DRAWING	SCALE 1:1		SHEET 4 OF 4	REV D1
4 PLC ± -						
ANGLES ± 3'						
MATERIAL						
FINISH						

Mouser Electronics

Authorized Distributor

Click to View Pricing, Inventory, Delivery & Lifecycle Information:

[TE Connectivity:](#)

[1759880-3](#)