

**PLEASE CHECK WWW.MOLEX.COM FOR LATEST PART INFORMATION**

**Part Number:** [0945120101](#)  
**Status:** **Active**  
**Overview:** Standard Quick-Disconnect Terminals  
**Description:** Quick Disconnect, High Reliability Terminal (HRT), Female for (0.50-1.00mm<sup>2</sup>) 18-24 AWG Wire, Accepts 6.35 x 0.81mm Tab

**Documents:**

[Drawing \(PDF\)](#) [RoHS Certificate of Compliance \(PDF\)](#)  
[Product Specification PS-94512-002-001 \(PDF\)](#)

**General**

Product Family	Quick Disconnects
Series	<a href="#">94512</a>
Crimp Quality Equipment	Yes
Insulated	No
Overview	<a href="#">Standard Quick-Disconnect Terminals</a>
Product Name	N/A
Type	Quick Disconnect
UPC	800753536104

**Physical**

Barrel Type	Open
Gender	Female
Glow-Wire Capable	No
Insulation	None
Lock to Mating Part	None
Material - Metal	Brass
Material - Plating Mating	Tin
Material - Plating Termination	Tin
Net Weight	0.670/g
Orientation	Straight
Packaging Type	Reel
Polarized to Mating Part	Yes
Tab Thickness	0.81mm
Tab Width	6.35mm
Temperature Range - Operating	-25°C to +55°C
Termination Interface: Style	Crimp or Compression
Wire Insulation Diameter	3.30mm max.
Wire Size AWG	18, 20, 22, 24
Wire Size mm <sup>2</sup>	0.50-1.00

**Electrical**

Voltage - Maximum	250V
-------------------	------

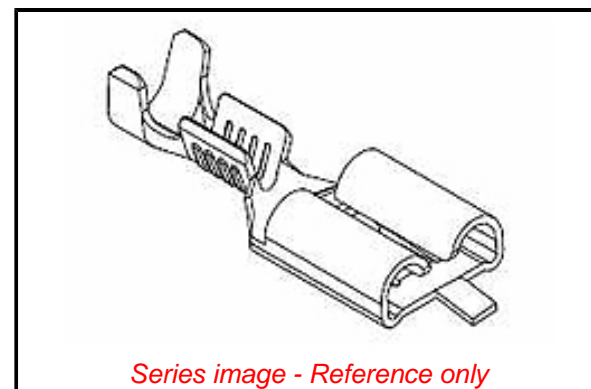
**Solder Process Data**

Lead-freeProcess Capability	N/A
-----------------------------	-----

**Material Info**

**Reference - Drawing Numbers**

Product Specification	PS-94512-002-001
Sales Drawing	SD-94512-004



*Series image - Reference only*

**EU ELV**

**Compliant**

**EU RoHS**

**Compliant**

**REACH SVHC**

Not Contained Per  
-ED/01/2018 (15  
January 2018)

**Halogen-Free**

**Status**

**Low-Halogen**

**Need more information on product environmental compliance?**

Email [productcompliance@molex.com](mailto:productcompliance@molex.com)  
Please visit the [Contact Us](#) section for any non-product compliance questions.

China ROHS

ELV

RoHS Phthalates

Green Image

Compliant

Not Contained

**Search Parts in this Series**

[94512 Series](#)

**Use With**

[94090 Quick Disconnect Housing](#)

# Mouser Electronics

Authorized Distributor

Click to View Pricing, Inventory, Delivery & Lifecycle Information:

[Molex:](#)

[94512-0101](#)