

SPECIFICATION

Part No. : GP.1575.18.2.A.02

Product Name : 2mm thick GPS/GALILEO Patch Antenna,
1575MHz

Features : 18mm*18mm*2mm
Halogen Free
RoHS Compliant



1. Introduction

This miniaturized ceramic GPS/GALILEO patch antenna is based on smart *XtremeGain*[™] technology. It is mounted via pin and double-sided adhesive and has been selected as optimal solution for the customer device environment.

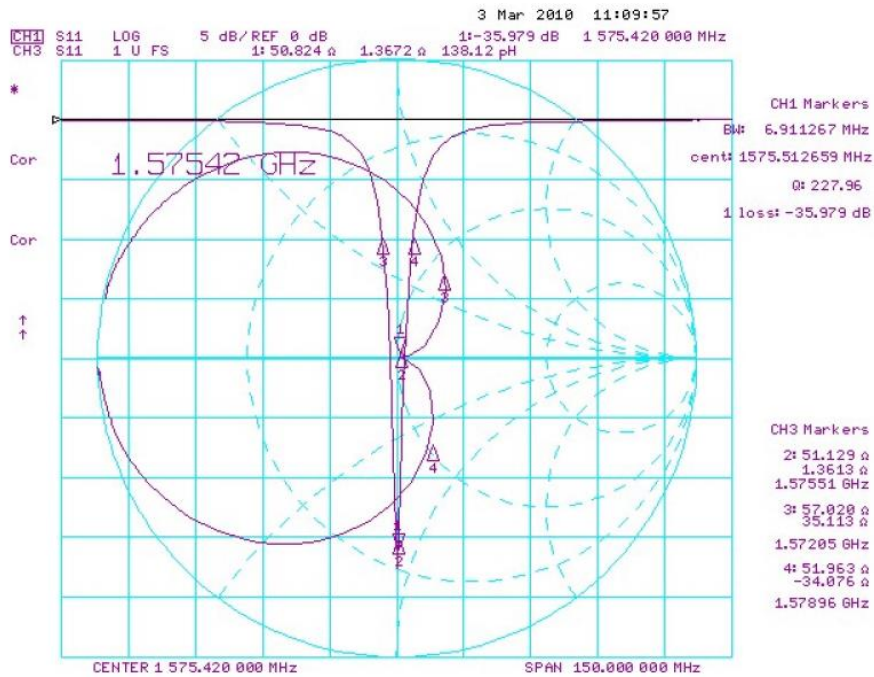
2. Specification Table

Original Patch Specification tested on 50*50mm ground plane

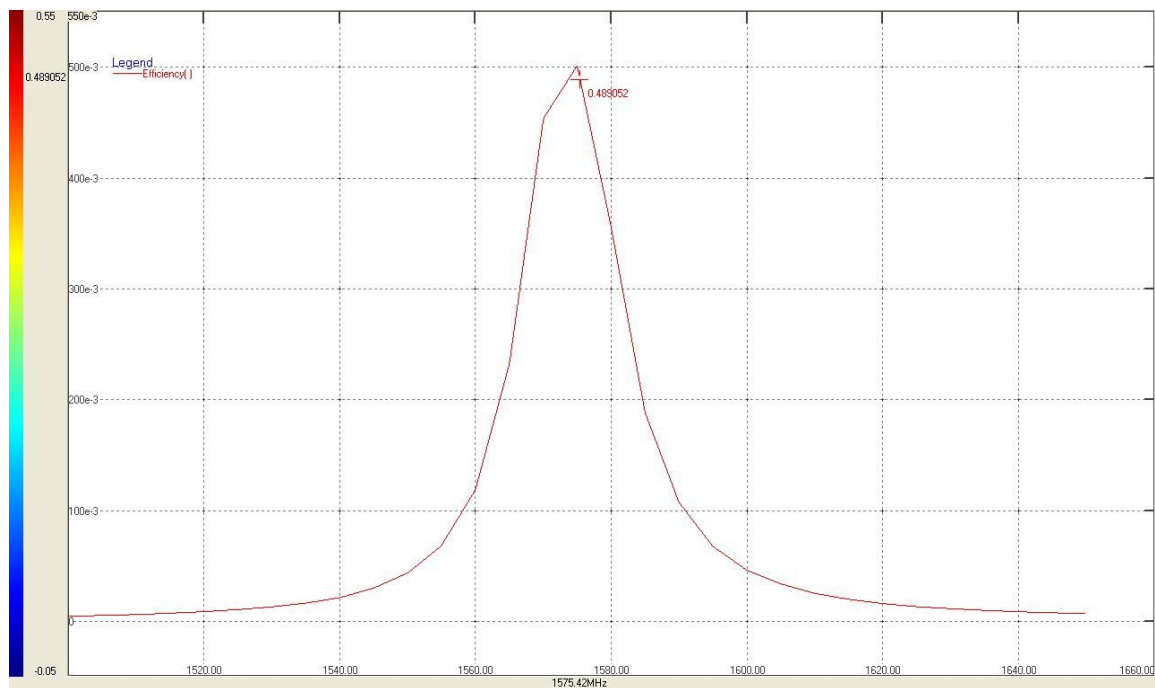
No	Parameter	Specification
1	Center Frequency	1575MHz +/- 3MHz
2	Impedance	50Ω
3	Bandwidth	5 MHz min Return Loss <-10dB
4	VSWR	1.5 max
5	Gain toward Zenith	-0.5 dBic typ.
6	Gain at 10°Elevation	-----
7	Axial Ratio	3dB Max.
8	Polarization	Right Hand Circular Polarization
9	Frequency Temperature Coefficient (τ_f)	0 ± 20ppm/°C
10	Operating Temperature	-40°C to +85°C

3. Electrical Specification

3.1. Smith Chart

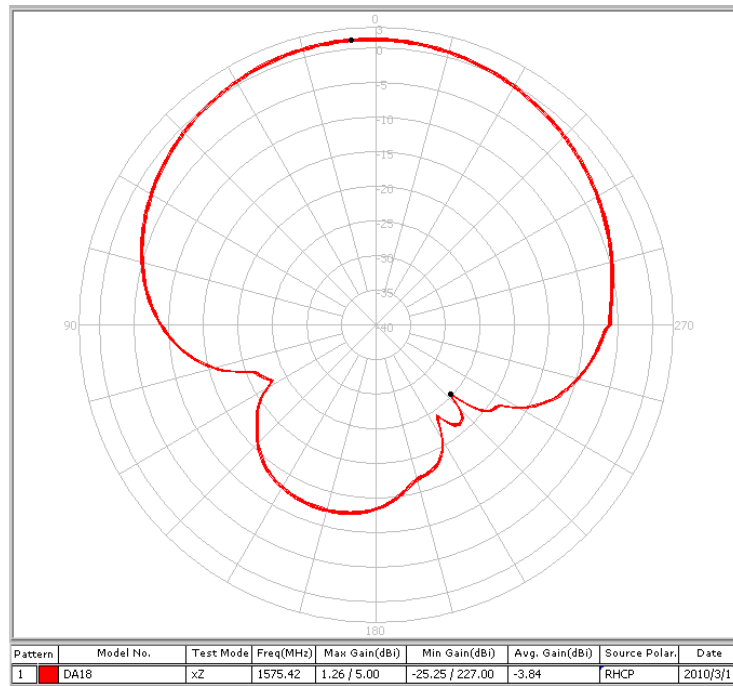


3.2. Efficiency

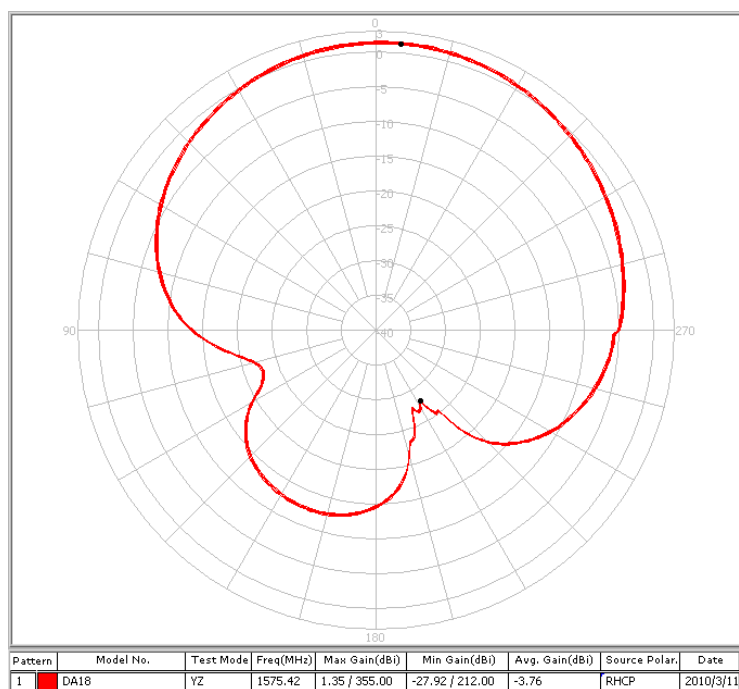


4. 2D Radiation Patterns

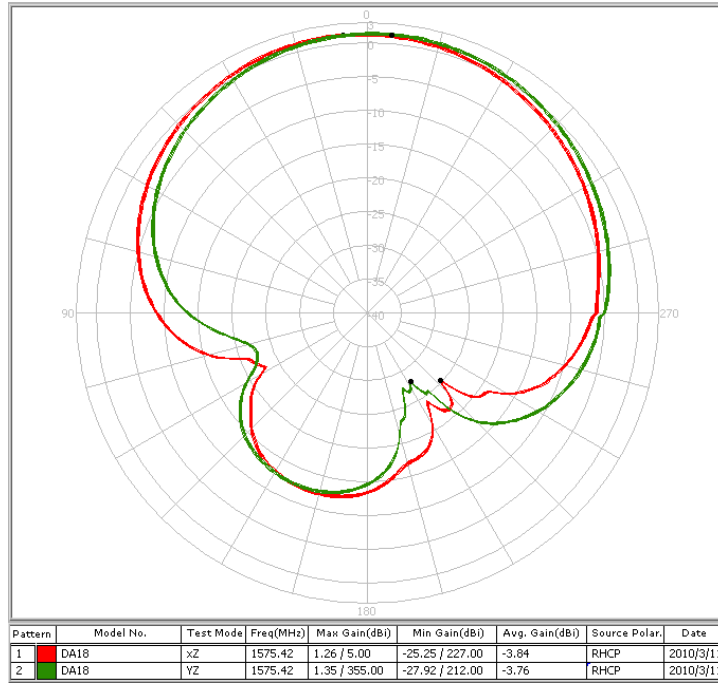
4.1. XZ Plane Radiation



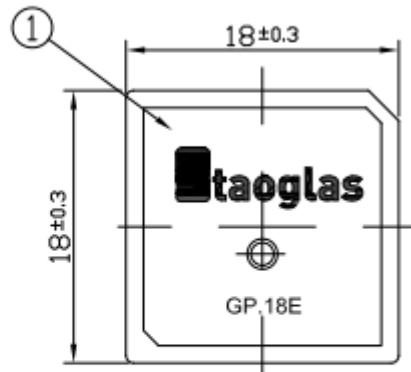
4.2. YZ Plane Radiation



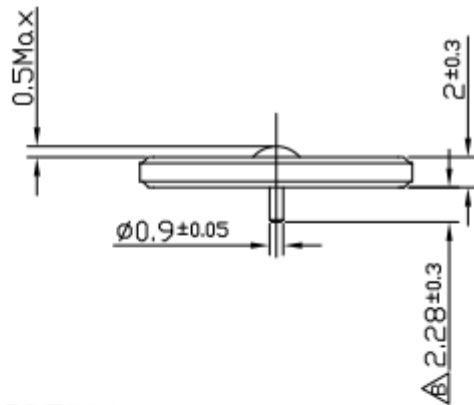
4.3. XZ Plane Radiation



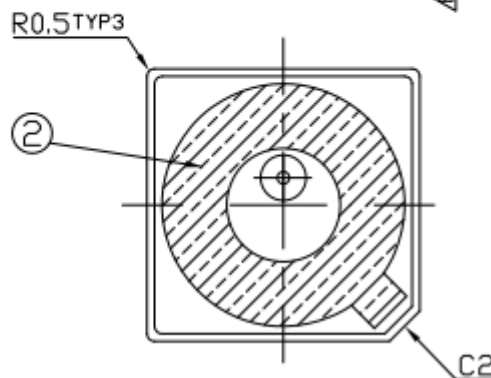
5. Mechanical Drawing (Unit: mm)




Top View



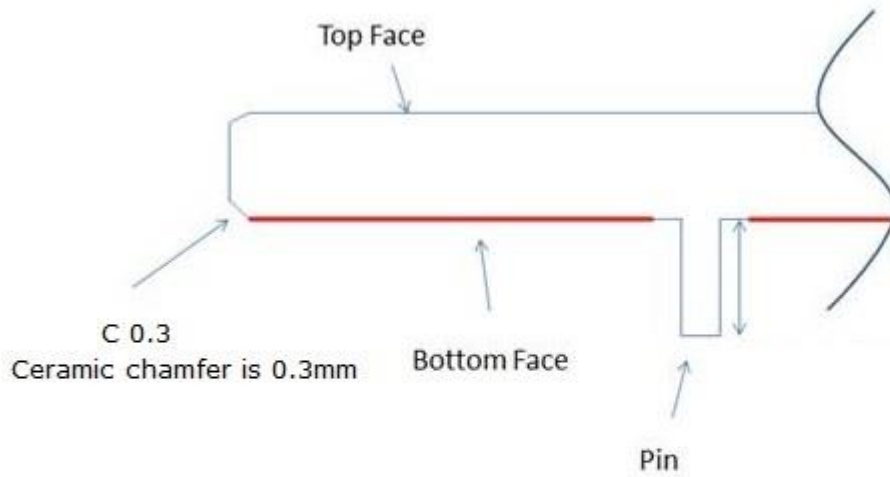
Side View



Bottom View

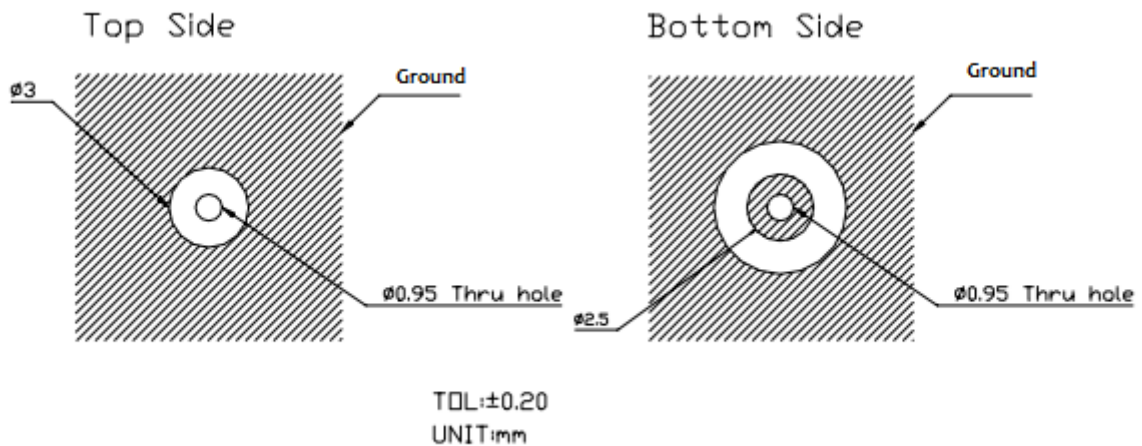
	Name	Material	Finish	QTY	NOTES:
1	Patch 18x18x2	Ceramic	Clear	1	1.Double sided adhesive area 
2	Double sided Adhesive	NITTO 5015	White Liner	1	

5.1. Adhesive Thickness



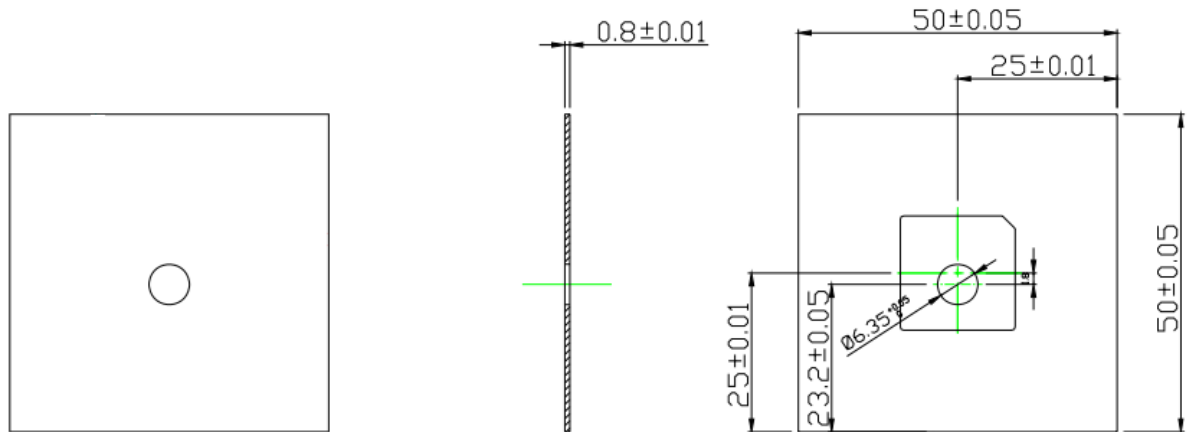
Red Line shows the adhesive without Liner - thickness 0.08~0.1mm

5.2. Layout Dimension



*Note Layout Dimensions may be affected by the thickness of the PCB

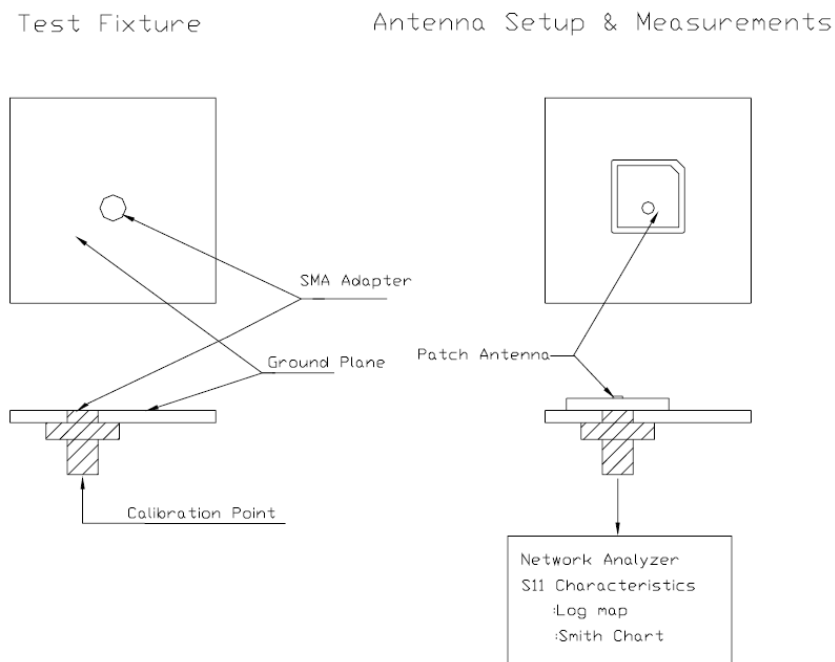
6. Test Jig and Dimension



BOTTOM-SIDE

TOP-SIDE

6.1. Test Fixture Antenna Setup and Measurements

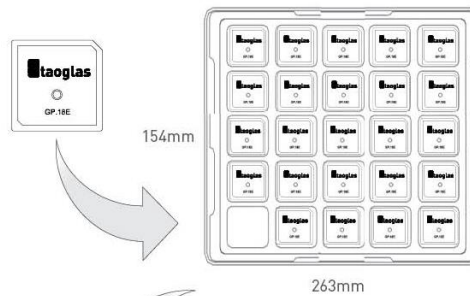


7. Packaging

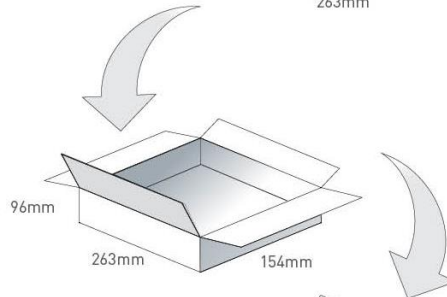
GP.1575.18.2.A.02

Packaging Specifications

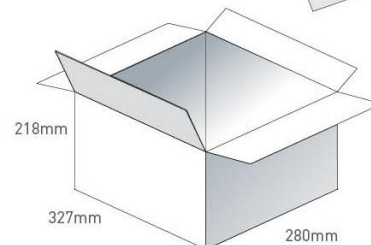
25 pcs GP.1575.18.2.A.02 per tray
Tray Dimensions - 263*154mm
Total Weight - 143g



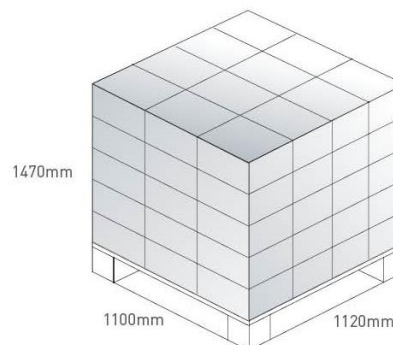
8 trays / 200 pcs per small box
Box Dimensions - 263*154*96mm
Weight - 1.1Kg



4 boxes / 800 pcs per carton
Carton Dimensions - 327*280*218mm
Weight - 4.6Kg



Pallet Dimensions 1100mm*1120mm*1470mm
72 Cartons per pallet
12 Cartons per layer
6 Layers



Taoglas makes no warranties based on the accuracy or completeness of the contents of this document and reserves the right to make changes to specifications and product descriptions at any time without notice. Taoglas reserves all rights to this document and the information contained herein.

Reproduction, use or disclosure to third parties without express permission is strictly prohibited.

Copyright © Taoglas Ltd.

Mouser Electronics

Authorized Distributor

Click to View Pricing, Inventory, Delivery & Lifecycle Information:

[Taoglas:](#)

[GP.1575.18.2.A.02](#)