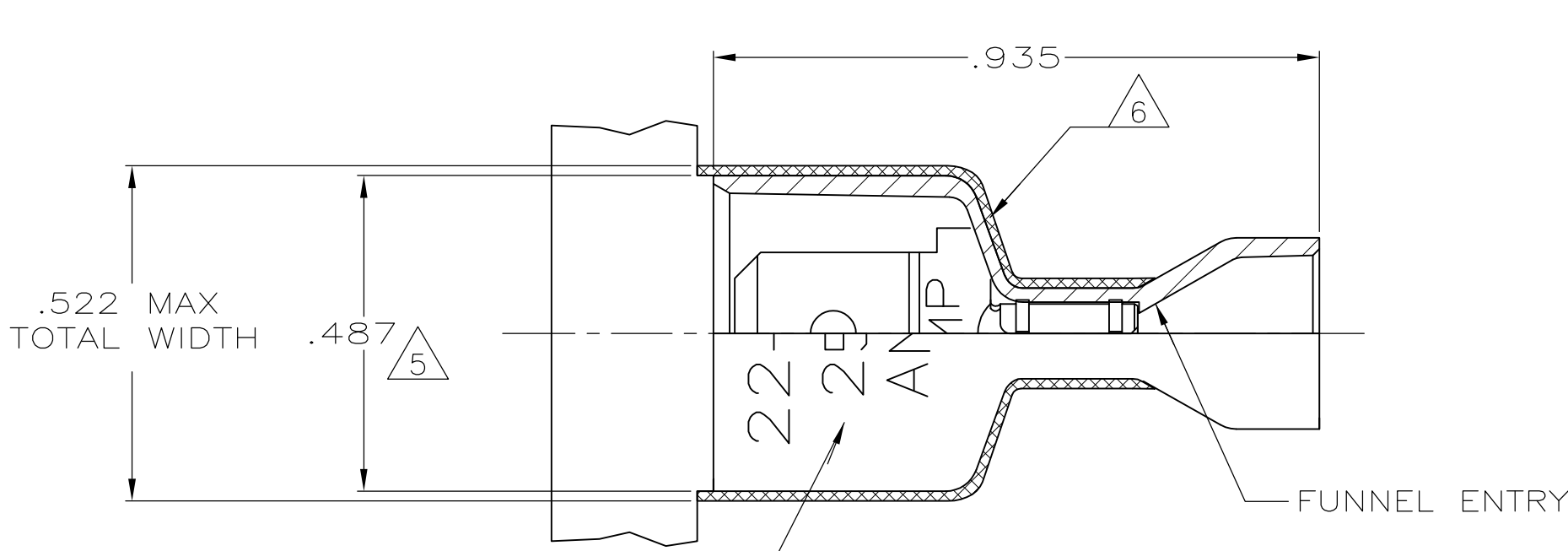
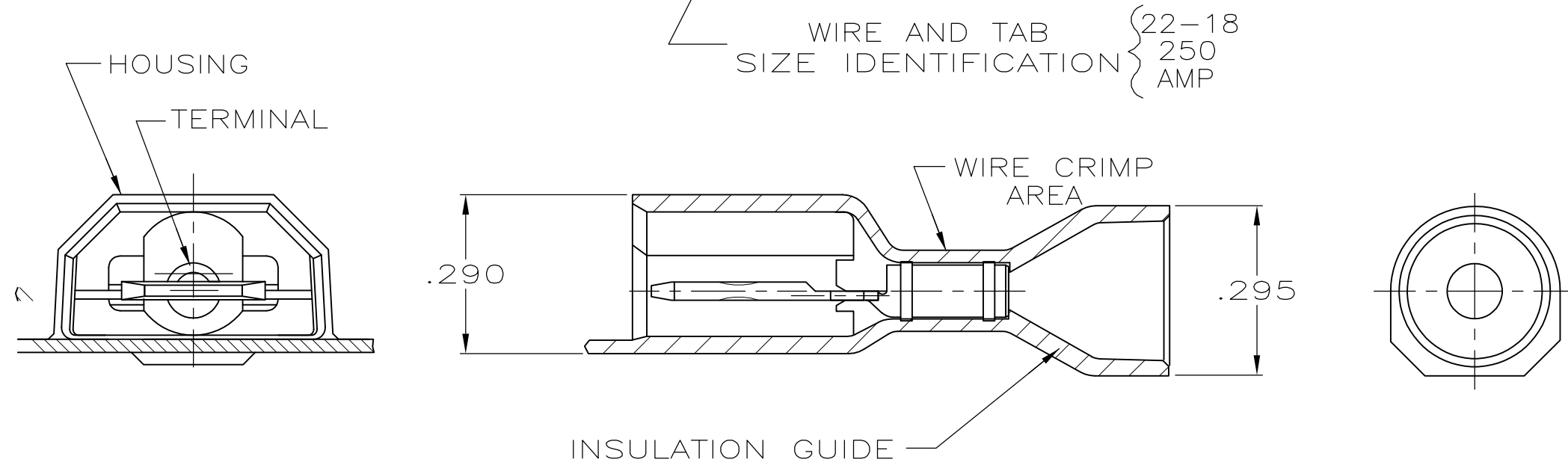


THIS DRAWING IS UNPUBLISHED. RELEASED FOR PUBLICATION
 © COPYRIGHT - By - ALL RIGHTS RESERVED.

LOC	DIST	REVISIONS			
P	LTR	DESCRIPTION	DATE	DWN	APVD
AF	50				
	D	REVISED PER ECR-13-004343	30JUL13	KH	KR



- 1 TAB DIMENSIONS $.032^{+.001}_{-.002}$ x .250
- 2 WIRE STRIP LENGTH .281
- 3 INSULATION SIZE .230 MAX DIA
- 4 CONTINUOUS STRIP ON REELS
- 5 DIMENSION DOES NOT INCLUDE TRIM BURR
- 6 .015 MAX CARRIER TRIM BURR PER SIDE IS ALLOWABLE IN THE SHADED AREA



HOUSING: NYLON, COLOR-RED TRANSLUCENT TAB: BRASS, TIN	2-521144-2
MATERIAL & FINISH	PART NO

THIS DRAWING IS A CONTROLLED DOCUMENT.		DWN	JR RUTH	4/17/97	STE TE Connectivity	NAME TAB ASSEMBLY, LID, ULTRA-FAST, .250 SERIES, 22-18 AWG					
<table border="1"> <tr> <td>DIMENSIONS:</td> <td>TOLERANCES UNLESS OTHERWISE SPECIFIED:</td> </tr> <tr> <td>INCHES</td> <td></td> </tr> </table>		DIMENSIONS:	TOLERANCES UNLESS OTHERWISE SPECIFIED:	INCHES				CHK	MS FEHER	4/17/97	
		DIMENSIONS:	TOLERANCES UNLESS OTHERWISE SPECIFIED:								
INCHES											
		APVD	J WORMAN	4/17/97	PRODUCT SPEC	108-2017					
		APPLICATION SPEC		114-2123			RESTRICTED TO				
MATERIAL		FINISH		WEIGHT		SIZE	CAGE CODE	DRAWING NO	RESTRICTED TO		
SEE TABLE		SEE TABLE		-		A3	00779	C-521144	-		
CUSTOMER DRAWING						SCALE	4:1	SHEET	1 OF 1	REV	D