

PRODUCT NUMBER

77313-YXX-XXLF

PLATING SEE SHEET 2

PIN STYLE SEE SHEET 2

RoHS COMPATIBLE
SEE NOTE 7

TOTAL NB OF POSITIONS 04 TO 72

OPTION LETTERS : NOTE 8

PRODUCT NUMBER (BERGSTRIK PACKAGING)

77313-YXX-00LF

PLATING

1= 0.76µm GOLD/GXT ON CONTACT
AREA, 2µm TIN MIN ON TAILS

8= 0.38µm GOLD/GXT ON CONTACT
AREA, 2µm TIN MIN ON TAILS

4= 2.0µm TIN MIN FULL PLATED

1.27µm NICKEL MIN UNDERLAYER FOR
ALL PLATING VERSIONS

INDICATES THE PRODUCT IS RoHS
COMPATIBLE, SEE NOTE 6

POSITIONS PER REEL : 00=45,000 (BERGSTRIK)

PIN STYLE	MATING	SOLDER	OAL
01	5.84	2.41	10.8
02	5.84	3.42	11.8
18	5.84	3.05	11.43
22	7.75	3.05	13.35
24	6.75	2.9	12.2
27	6.6	2.66	11.8

NOTES:

1. HOUSING MAT'L : HIGH TEMPERATURE
THERMOPLASTIC. UL94V-0 COLOR: BLACK

2. PIN MATERIAL : PHOSPHOR BRONZE

3. BERGSTIK PRODUCT PACKAGED IN POLY BAGS.
BERGSTRIK PRODUCT PACKAGED PER REELS.

4. 9N MIN RETENTION IN EITHER DIRECTION

5. TO DETERMINE DIMENSIONS :
N = NUMBER OF POSITIONS PER ROW
EXAMPLE : 8 POS N x 2.54 = 20.32mm

6. FOR PIN IN PASTE SOLDERING APPLICATION :
FINISHED PLATED HOLE Ø1.02-Ø1.06
LAND Ø1.45 MAX

7. RoHS COMPATIBLE PRODUCT SPECIFICATIONS

a - PLATING:

- "LF" MEANS THE PRODUCT IS LEAD-FREE, 2µm MINIMUM
MATTE TIN OVER 1.27µm MINIMUM NICKEL UNDERPLATE

b - MANUFACTURING PROCESS COMPATIBILITY

- THE HOUSING WILL WITHSTAND EXPOSURE TO 260°C ±5°C SOLDER BATH TEMPERATURE
FOR 5 SECONDS IN A WAVE SOLDER APPLICATION WITH A 1.6mm MIN THICK CIRCUIT BOARD
- REFLOW COMPATIBLE

c - LABELING:

- MEETS PACKAGING SPECS AS PER GS-14-920

d - LEGAL STATEMENT: SEE GS-47-0004

8. OPTIONS : - = POLYBAG PACK

"A" = TAPE & REEL WITH CAP, AS AVAILABLE

"T" = STANDARD TUBE PACKAGING

"V" = BLIBOX PACK FOR CUSTOMER DEDICATED PART

"AV" = TAPE & REEL WITH CAP FOR CUSTOMER DEDICATED PART

"KV" = TAPE & REEL WITHOUT CAP FOR CUSTOMER DEDICATED PART

"TV" = TUBE WITHOUT CAP FOR CUSTOMER DEDICATED PART

"R" = RETENTION FEATURE PAGE 2

IF RETENTION FEATURE "R" AND TUBE PACKAGING "T" ARE BOTH REQUIRED
OPTIONAL LETTER "R" WILL APPEAR INSTEAD OF THE FIRST DASH

EXAMPLE : 77313R118T40LF

"KR" = T&R WITHOUT CAP WITH RETENTION FEATURE

Ø0.4±0.05 TYP

1.14 REF

0.2±0.03 TYP

N x 2.54 MAX

NOTE 5

(N-1) x 2.54

4.83

0.48

0.66

2.54

0.62 SQUARE

2.54

(MATING SIDE) ±0.2

(SOLDER SIDE) ±0.25

OAL (OVERALL LENGTH)
REF

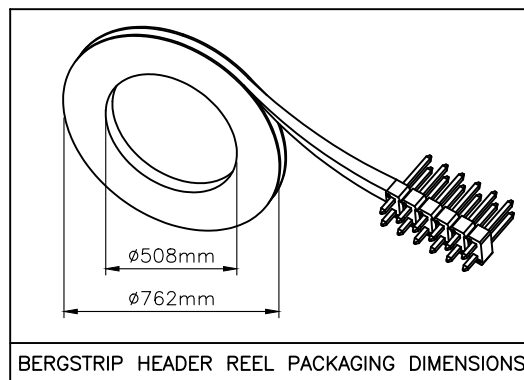
NOTE 4

2.54±0.08
NON-ACCUM TYP

2.54±0.08

Ø1.02±0.08

RECOMMENDED HOLE PATTERN
SEE NOTE 6

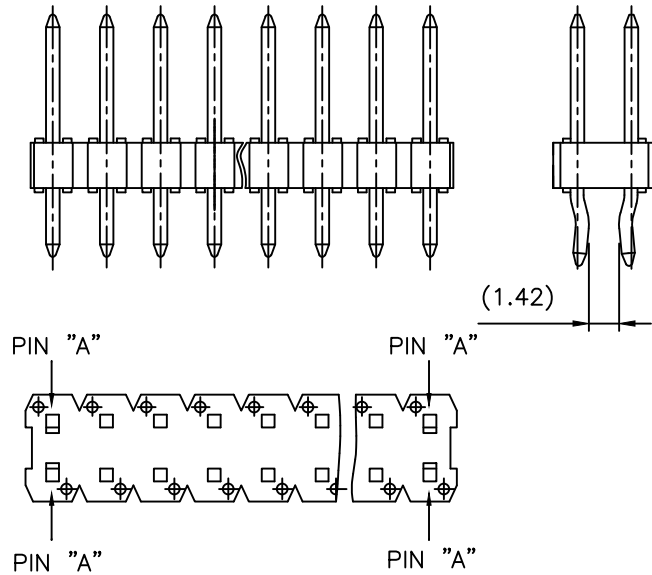


mat'l. code		surface		tolerance		projection		product family	
SEE NOTES		ISO 1302	✓	ISO 406	ISO 1101	mm		BERGSTIK	
ltr	ecn no	dr	date	tolerances unless otherwise specified		mm		title	
BY	F-21455	AMA	15.07.20	.X ±0.3		mm		UNSHR.HEADER	
CA	F-22605	BVE	15.11.24	.XX ±0.15		mm		STR DR TMT	
CB	F-23186	AMA	16.02.01	.XXX ±0.05		scale 5:1		dwg no	
CC	F-23264	AMA	16.02.16	dr	D.LE	01.01.24		sheet 1 of 3	
CD	F-23581	AMA	16.03.22	engr	JM.C	01.01.24		size	
CE	F-24865	AMA	16.08.31	chr	JM.C	01.01.24		77313	
CF	B-26200	JCA	17.02.27	appd	JCO	01.01.24		A3	
sheet	revision	CF	BK	C					
index	sheet	1	2	3					

PLATING

- 1 = 0.76µm GOLD/GXT ON CONTACT AREA, 2µm TIN MIN ON TAIL
- 4 = 2µm TIN MIN FULL PLATED
- 5 = 0.25µm GOLD/GXT ON CONTACT AREA, 2µm TIN MIN ON TAIL
- 8 = 0.38µm GOLD/GXT ON CONTACT AREA, 2µm TIN MIN ON TAIL
- G = 0.76µm FULL GXT
- S = 0.38µm FULL GXT
- T = 2µm TIN MIN FULL PLATED INCLUDED PIN TYP
 - 1.27µm NICKEL MIN UNDERLAYER FOR ALL PLATING VERSIONS

RETENTION OPTION



NOTES:

1. PART NUMBER 77313-YXXRXXLF
2. 4 PINS "A" USED FOR RETENTION
DIRECTION OF RETENTION SHOWN BY ARROWS
PIN "A" AT EACH END OF HEADER.
3. FOR RETENTION OPTION , SOLDER TAIL LENGTH TO BE
2.9 MIN UP TO 3.5 MAX.

PRODUCTS SPECIFICATIONS			
PIN STYLE	MATING	SOLDER	OAL
01	5.84	2.41	10.8
02	5.84	3.42	11.8
03	5.72	5.09	13.35
04	5.72	7.64	15.90
15	8.51	2.55	13.6
18	5.84	3.05	11.43
19	12.83	3.03	18.4
20	15.37	3.04	20.95
22	7.75	3.05	13.35
24	6.75	2.9	12.2
27	6.6	2.65	11.8
29	17.46	3.50	23.5
38	5.84	3.82	12.20
46	8.08	2.98	13.6
52	9.5	3.05	15.09
57	8.46	3.05	14.05
58	14.47	3.05	20.06
83	20.46	3.0	26.0
85	10.5	2.9	15.9
87	6.98	3.05	12.57

PRODUCTS SPECIFICATIONS			
PIN STYLE	MATING	SOLDER	OAL
89	6.93	5.00	14.47
90	6.75	4.05	13.34
91	5.60	10.21	18.4
92	5.65	12.76	20.95
93	6.00	4.81	13.35
94	9.65	2.90	15.09
95	8.90	3.60	15.09
96	20.83	3.05	26.42
97	14.70	3.70	20.95
98	6.00	6.00	14.47
99	8.05	2.25	12.8
AA	11.90	3.30	17.70
AB	7.00	1.50	11.00
AC	N/A		
AD	8.51	10.59	21.64
AE	3.30	3.30	9.14
AF	N/A		
AG	4.79	3.00	10.33
AH	2.67	3.43	8.64
AJ	8.00	8.00	18.54
AK	7.00	7.00	16.54
AL	5.90	1.60	10.05
AM	12.06	2.60	17.20
AN	11.50	1.90	15.94
AP	14.00	2.20	18.70
AR	8.96	2.10	13.60
AS	8.08	2.72	13.37

mat'l. code		surface <input checked="" type="checkbox"/> ISO 1302		tolerance <input checked="" type="checkbox"/> ISO 406 <input type="checkbox"/> ISO 1101		projection		product family BERGSTIK	
ltr	ecn no	dr	date	tolerances unless otherwise specified		mm		title UNSHR.HEADER STR DR TMT	
BE	B-18917	LMU	14.09.26	angles	linear	scale N/A		dwg no 77313 sheet 2 of - size A3	
BF	B-19782	AMA	14.12.18					type CUSTOMER Drawing	
BG	B-20321	AMA	15.01.26						
BH	B-20596	AMA	15.03.30	dr	D.LE	01.01.24			
BJ	F-21455	AMA	15.07.20	enr	JM.C	01.01.24			
BK	F-22605	BVE	15.11.24	chr	JM.C	01.01.24			
				appd	JF.N	01.01.24			
sheet index	revision sheet								

1

2 3

4

5

6

PRODUCTS SPECIFICATIONS

PIN STYLE	MATING	SOLDER	OAL
AT	5.84	7.20	15.57
AU	10.95	3.05	16.55
AV	8.08	4.32	14.96
AW	8.08	3.81	14.43
AX	6.40	3.09	12.05
AY	5.08	2.79	10.40
BA	8.97	2.79	14.05
BB	6.48	3.05	12.05
BC	11.85	4.04	18.40
BD	26.00	3.05	31.55
BE	9.08	1.90	13.52

A

B

C

D

A

B

C

D

FCIconnect.com

Copyright FCI

mat'l. code				surface		tolerance		projection		product family	
				ISO 1302 <input checked="" type="checkbox"/>		ISO 406 ISO 1101				BERGSTIK	
ltr ecn no dr date				tolerances unless otherwise specified				title			
A F-22605 BVE 15.11.24				angles linear				UNSHR.HEADER			
B F-23264 AMA 16.02.16								STR DR TMT			
C B-26200 JCA 17.02.27								scale N/A			
				dr D.LE		01.01.24				dwg no sheet 3 of - size	
				enr JM.C		01.01.24				77313 A3	
				chr JM.C		01.01.24				type CUSTOMER Drawing	
				appd JF.N		01.01.24					
sheet index		revision sheet									

1

2

5

6

Mouser Electronics

Authorized Distributor

Click to View Pricing, Inventory, Delivery & Lifecycle Information:

[FCI / Amphenol:](#)

[77313-101-44LF](#) [77313-101-68LF](#) [77313-102-44LF](#) [77313-102-46LF](#) [77313-102-52LF](#) [77313-102-54LF](#) [77313-102-56LF](#) [77313-102-58LF](#) [77313-102-60LF](#) [77313-102-62LF](#) [77313-102-66LF](#) [77313-102-68LF](#) [77313-102-70LF](#) [77313-122-18LF](#) [77313-122-28LF](#) [77313-122-38LF](#) [77313-122-42LF](#) [77313-122-46LF](#) [77313-122-48LF](#) [77313-122-52LF](#) [77313-122-54LF](#) [77313-122-56LF](#) [77313-122-58LF](#) [77313-122-62LF](#) [77313-122-66LF](#) [77313-122-68LF](#) [77313-122-70LF](#) [77313-124-38LF](#) [77313-124-42LF](#) [77313-124-48LF](#) [77313-124-54LF](#) [77313-124-56LF](#) [77313-124-58LF](#) [77313-124-62LF](#) [77313-124-66LF](#) [77313-124-68LF](#) [77313-124-70LF](#) [77313-127-36LF](#) [77313-127-42LF](#) [77313-127-44LF](#) [77313-127-48LF](#) [77313-127-50LF](#) [77313-127-52LF](#) [77313-127-56LF](#) [77313-127-58LF](#) [77313-127-60LF](#) [77313-127-62LF](#) [77313-127-66LF](#) [77313-127-68LF](#) [77313-127-70LF](#) [77313-158-56LF](#) [77313-190-08LF](#) [77313-401-36LF](#) [77313-402-16LF](#) [77313-427-08LF](#) [77313-427-10LF](#) [77313-427-14LF](#) [77313-427-16LF](#) [77313-801-32LF](#) [77313-801-36LF](#) [77313-801-38LF](#) [77313-801-44LF](#) [77313-801-52LF](#) [77313-801-54LF](#) [77313-801-56LF](#) [77313-801-58LF](#) [77313-801-60LF](#) [77313-801-62LF](#) [77313-801-64LF](#) [77313-801-68LF](#) [77313-801-70LF](#) [77313-802-18LF](#) [77313-802-38LF](#) [77313-802-40LF](#) [77313-802-42LF](#) [77313-802-46LF](#) [77313-802-48LF](#) [77313-802-50LF](#) [77313-802-54LF](#) [77313-802-56LF](#) [77313-802-58LF](#) [77313-802-62LF](#) [77313-802-64LF](#) [77313-802-68LF](#) [77313-802-70LF](#) [77313-818-18LF](#) [77313-818-22LF](#) [77313-818-28LF](#) [77313-818-34LF](#) [77313-818-38LF](#) [77313-818-42LF](#) [77313-818-44LF](#) [77313-818-48LF](#) [77313-818-52LF](#) [77313-818-54LF](#) [77313-818-56LF](#) [77313-818-58LF](#) [77313-818-60LF](#) [77313-818-62LF](#) [77313-818-66LF](#)