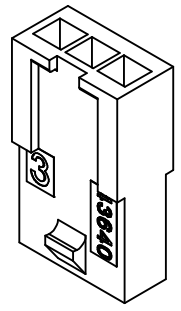
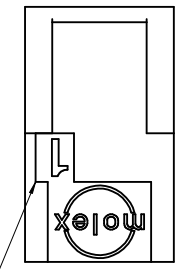
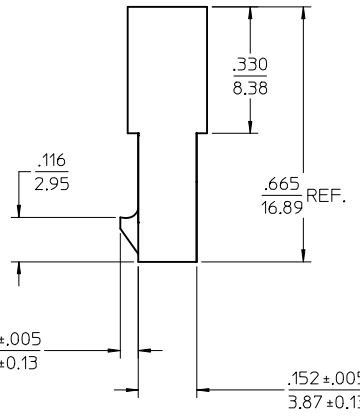
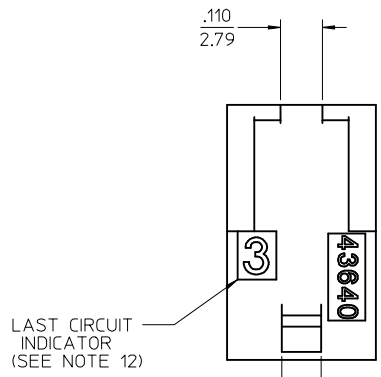
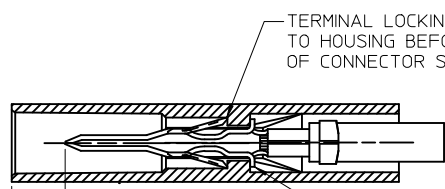
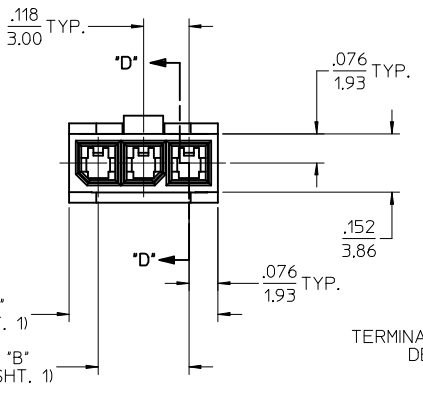




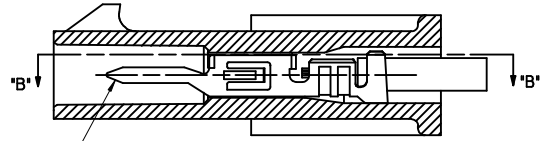
ASSEMBLY ITEM NUMBER	PART CHARACTERISTICS NUMBER OF POSITION
43640-0201	02
43640-0301	03
43640-0401	04
43640-0501	05
43640-0601	06
43640-0701	07
43640-0801	08
43640-0901	09
43640-1001	10
43640-1101	11
43640-1201	12



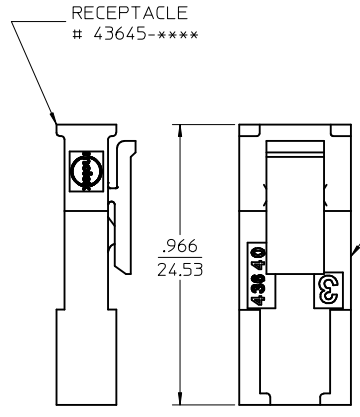
PLUG WITHOUT PANEL MOUNTS



SECTION "B"- "B"  
NO SCALE



SECTION "D"- "D"  
WITH TERMINAL  
NO SCALE



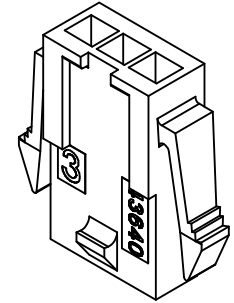
MATED MICRO-FIT CONNECTOR

<b>SEE SHEET 1</b> EC NO: UCP2017-0525 DRWN: JUILLES 2016/09/13 CHKD: SSOUSEK 2016/09/13 APPR: FSMITH 2016/10/07	QUALITY SYMBOLS	GENERAL TOLERANCES (UNLESS SPECIFIED)		DIMENSION STYLE IN/MM		SCALE 4:1	DESIGN UNITS METRIC	THIRD ANGLE PROJECTION
	▽=0	mm	INCH	DRAWN BY AFG	DATE 1996/01/19	<b>MICRO-FIT (3.0) IN-LINE          2 THRU 12 CIRCUIT PLUG          W/ OPTIONAL PANEL MOUNTS</b>  <b>molex</b> DOCUMENT NO. SD-43640-**** SHEET NO. 2 OF 2		
	▽=0	4 PLACES ± --- ± ---	CHECKED BY BAP	DATE 1996/01/19				
	▽=0	3 PLACES ± --- ± .010	APPROVED BY RJF	DATE 1996/01/19				
▽=0	2 PLACES ± 0.25 ± .014	MATERIAL NO. SEE CHART						
REV F6	DESCRIPTION	1 PLACE ± 0.35 ± ---	ANGULAR ± 5 °	DRAFT WHERE APPLICABLE MUST REMAIN WITHIN DIMENSIONS		THIS DRAWING CONTAINS INFORMATION THAT IS PROPRIETARY TO MOLEX INCORPORATED AND SHOULD NOT BE USED WITHOUT WRITTEN PERMISSION		

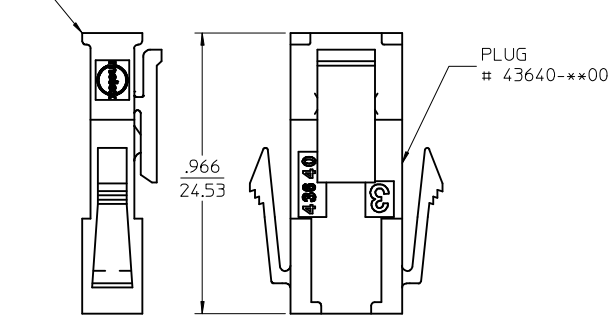
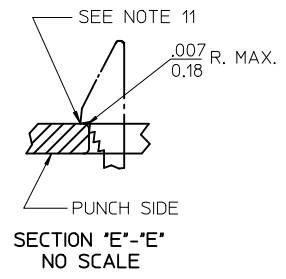
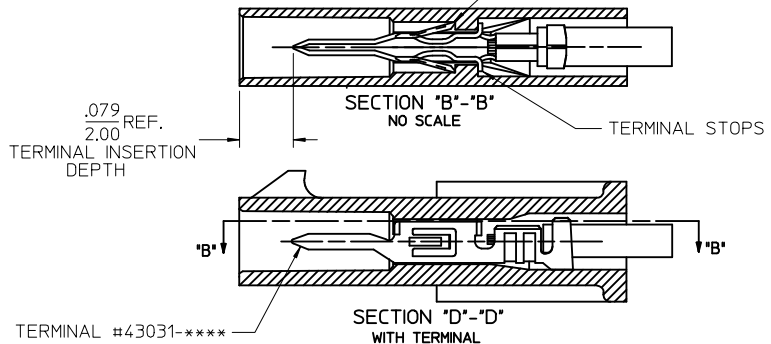
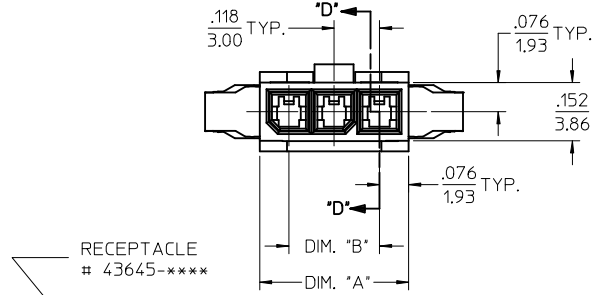
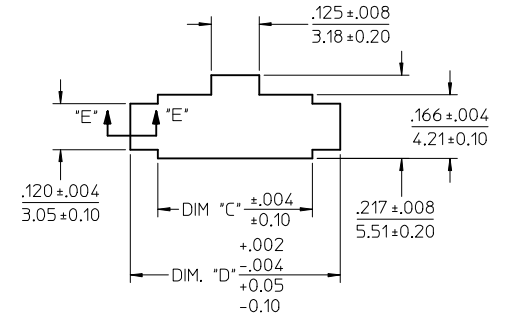
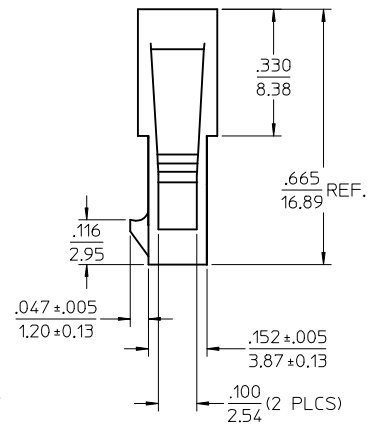
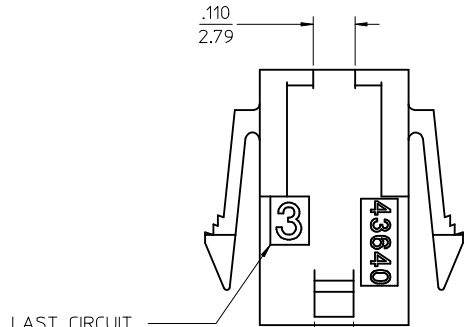
ASSEMBLY ITEM NUMBER	PART CHARACTERISTICS NUMBER OF POSITION
43640-0200	02
43640-0300	03
43640-0400	04
43640-0500	05
43640-0600	06
43640-0700	07
43640-0800	08
43640-0900	09
43640-1000	10
43640-1100	11
43640-1200	12

CKT. NO.	DIM. "A"	DIM. "B"	DIM. "C"	DIM. "D"
2	.270/6.85	.118/3.00	.284/7.21	.429/10.90
3	.388/9.85	.236/6.00	.402/10.21	.547/13.89
4	.506/12.85	.354/9.00	.520/13.21	.665/16.89
5	.624/15.85	.472/12.00	.638/16.21	.783/19.89
6	.742/18.85	.591/15.00	.756/19.21	.901/22.89
7	.860/21.85	.709/18.00	.874/22.20	1.019/25.88
8	.978/24.85	.827/21.00	.992/25.20	1.137/28.88
9	1.096/27.85	.945/24.00	1.110/28.20	1.255/31.88
10	1.215/30.85	1.063/27.00	1.229/31.22	1.373/34.87
11	1.333/33.85	1.181/30.00	1.347/34.22	1.491/37.87
12	1.451/36.85	1.299/33.00	1.465/37.22	1.609/40.87

- NOTES:
- HOUSING MATERIAL: UNFILLED NYLON, RATED UL94V-0 COLOR IS BLACK, (LOW-HALOGEN)
  - FINISH: NONE
  - PRODUCT SPECIFICATION: PS-43650
  - PACKAGING SPECIFICATION: PK-43640-003
  - THIS HOUSING MATES WITH MICRO-FIT RECEPTACLE #43645-\*\*\*\*.
  - THIS HOUSING IS DESIGNED IN METRIC
  - THIS HOUSING TO BE USED WITH MOLEX MALE TERMINAL #43031-\*\*\*\*.
  - PLUG DESIGNED FOR .062/1.57 TO .090/2.30 THICK STAMPED PANEL OR PRINTED CIRCUIT BOARD.
  - SEE SECTION "D"- "D" FOR TERMINAL ORIENTATION IN HOUSING.
  - SEE SHEET 2 FOR PLUG WITHOUT PANEL MOUNTS.
  - PANEL MOUNT FEATURES MUST LOCK ON SIDE OPPOSITE PUNCH SIDE FOR OPTIMUM RETENTION.
  - LAST CIRCUIT INDICATOR IS NOT PRESENT ON 2 CIRCUIT HOUSING.
  - THIS PART CONFORMS TO CLASS B REQUIREMENTS OF COSMETIC SPECIFICATION PS-45499-002.

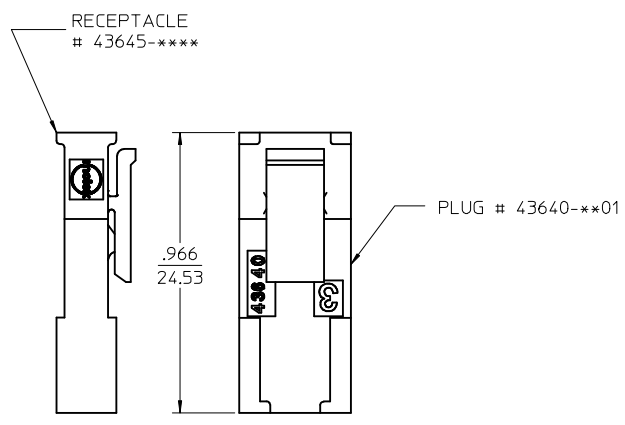
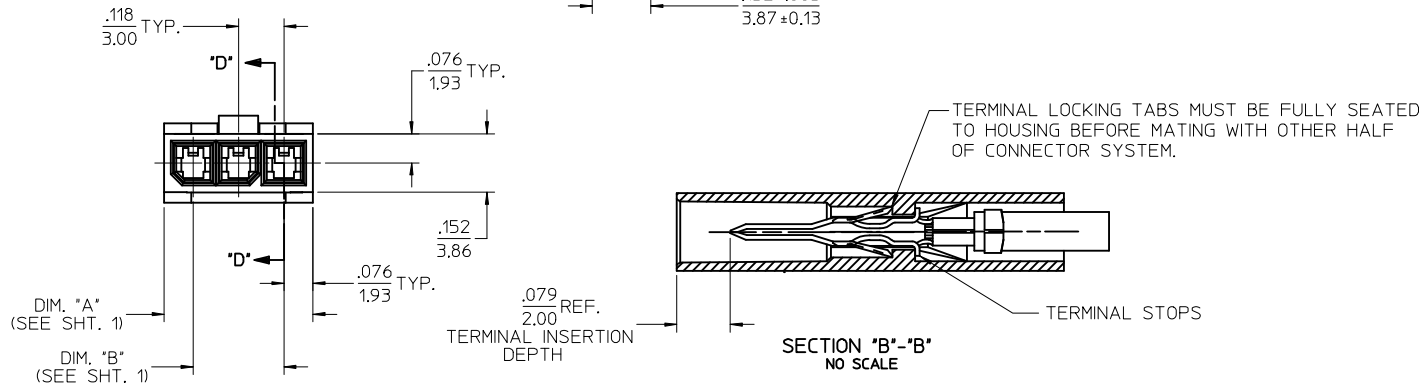
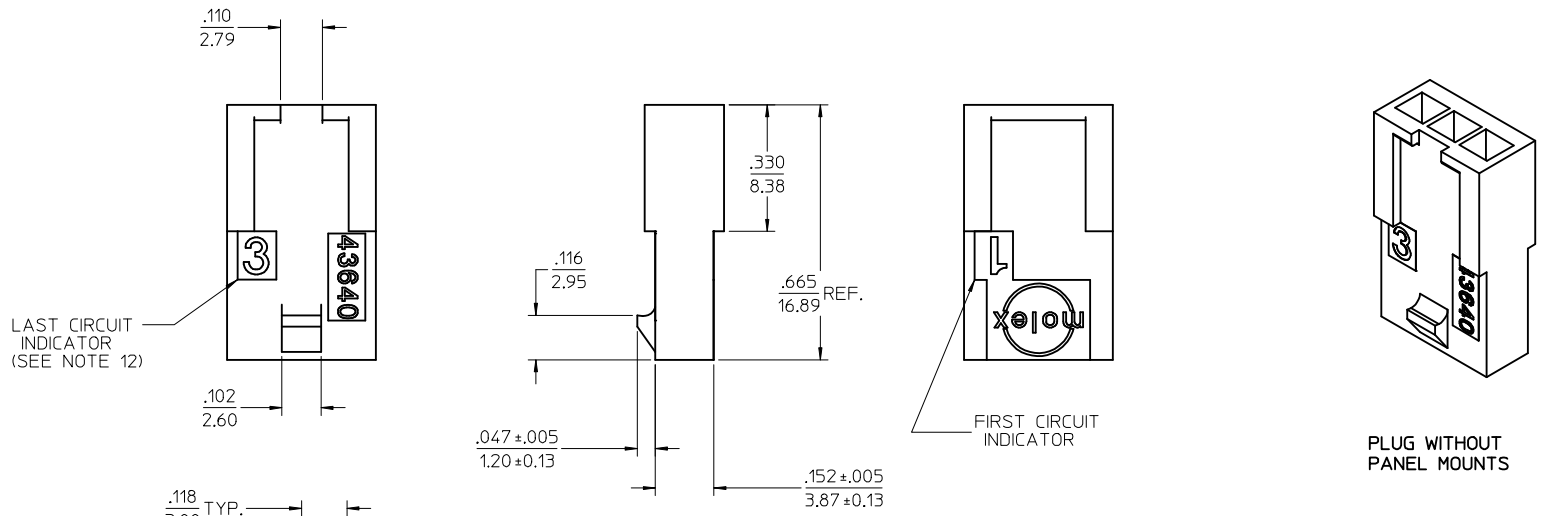


PLUG WITH PANEL MOUNTS



UPDATE PUNCHED HOLE EC NO: UCP2017-0525 DRWN: J001LES 2016/09/13 CHKD: S50USEK 2016/09/13 APPR: FSMITH 2016/10/07	QUALITY SYMBOLS ▽=0 ▽=0 ▽=0	GENERAL TOLERANCES (UNLESS SPECIFIED)	DIMENSION STYLE IN/MM		SCALE 4:1	DESIGN UNITS METRIC	THIRD ANGLE PROJECTION
			mm	INCH			
F6	DESCRIPTION	DRAWING WHERE APPLICABLE MUST REMAIN WITHIN DIMENSIONS	DRAWN BY DATE AFG 1996/01/19		TITLE MICRO-FIT (3.0) IN-LINE 2 THRU 12 CIRCUIT PLUG W/ OPTIONAL PANEL MOUNTS	DOCUMENT NO. SD-43640-****	SHEET NO. 1 OF 2
			CHECKED BY DATE BAP 1996/01/19				
			APPROVED BY DATE RJF 1996/01/19		MATERIAL NO. SEE CHART		
			ANGULAR ± 5 °		THIS DRAWING CONTAINS INFORMATION THAT IS PROPRIETARY TO MOLEX INCORPORATED AND SHOULD NOT BE USED WITHOUT WRITTEN PERMISSION		

ASSEMBLY ITEM NUMBER	PART CHARACTERISTICS NUMBER OF POSITION
43640-0201	02
43640-0301	03
43640-0401	04
43640-0501	05
43640-0601	06
43640-0701	07
43640-0801	08
43640-0901	09
43640-1001	10
43640-1101	11
43640-1201	12



<b>SEE SHEET 1</b> EC NO: UCP2017-0525 DRWN: JUILLES 2016/09/13 CHKD: SSOUSEK 2016/09/13 APPR: FSMITH 2016/10/07 REV: F6	QUALITY SYMBOLS ▽=0 ▽=0 ▽=0	GENERAL TOLERANCES (UNLESS SPECIFIED) <table border="1"> <thead> <tr> <th></th> <th>mm</th> <th>INCH</th> </tr> </thead> <tbody> <tr><td>4 PLACES</td><td>± .005</td><td>± .0005</td></tr> <tr><td>3 PLACES</td><td>± .004</td><td>± .0004</td></tr> <tr><td>2 PLACES</td><td>± 0.25</td><td>± .010</td></tr> <tr><td>1 PLACE</td><td>± 0.35</td><td>± .014</td></tr> <tr><td>0 PLACE</td><td>±</td><td>±</td></tr> </tbody> </table>		mm	INCH	4 PLACES	± .005	± .0005	3 PLACES	± .004	± .0004	2 PLACES	± 0.25	± .010	1 PLACE	± 0.35	± .014	0 PLACE	±	±	DIMENSION STYLE IN/MM DRAWN BY: AFG DATE: 1996/01/19 CHECKED BY: BAP DATE: 1996/01/19 APPROVED BY: RJF DATE: 1996/01/19	SCALE: 4:1 DESIGN UNITS: METRIC THIRD ANGLE PROJECTION	TITLE: <b>MICRO-FIT (3.0) IN-LINE          2 THRU 12 CIRCUIT PLUG          W/ OPTIONAL PANEL MOUNTS</b> <b>molex</b>	MATERIAL NO. <b>SEE CHART</b>	DOCUMENT NO. <b>SD-43640-****</b>	SHEET NO. <b>2 OF 2</b>
		mm	INCH																							
	4 PLACES	± .005	± .0005																							
	3 PLACES	± .004	± .0004																							
2 PLACES	± 0.25	± .010																								
1 PLACE	± 0.35	± .014																								
0 PLACE	±	±																								
DRAFT WHERE APPLICABLE MUST REMAIN WITHIN DIMENSIONS		ANGULAR ± 5 °	THIS DRAWING CONTAINS INFORMATION THAT IS PROPRIETARY TO MOLEX INCORPORATED AND SHOULD NOT BE USED WITHOUT WRITTEN PERMISSION																							