

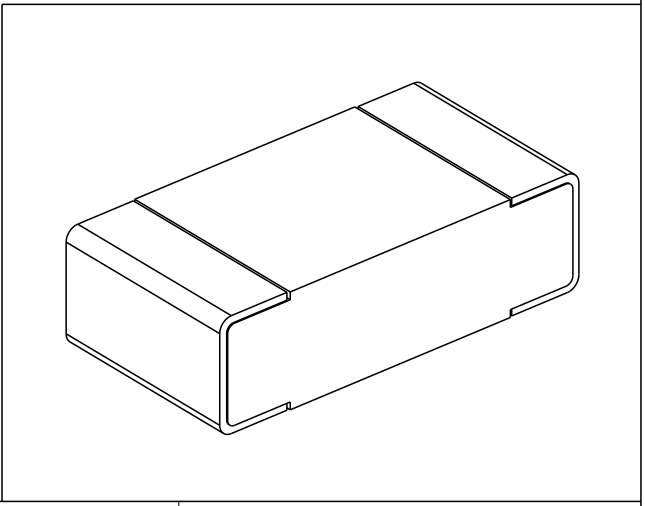
REVISIONS

| P | LTR | DESCRIPTION   | DATE      | DWN | APVD |
|---|-----|---------------|-----------|-----|------|
|   | BA1 | ECR-14-009193 | 19JUN2014 | KR  | TN   |

FOR FURTHER INFORMATION SEE DATA SHEET FOR CPF SERIES-THIN FILM PRECISION CHIP RESISTORS



RoHS Compliant



2008  
 RELEASED FOR PUBLICATION  
 ALL RIGHTS RESERVED.  
 BY -  
 COPYRIGHT 2008

|   |                  |           |                  |           |            |               |
|---|------------------|-----------|------------------|-----------|------------|---------------|
| DIMENSIONS:<br>mm   | DWN              | 29-Sep-08 | MATERIAL         | -         | FINISH     | -             |
|   | CHK              | 29-Sep-08 | TE Connectivity  |           |            |               |
| TOLERANCES UNLESS OTHERWISE SPECIFIED:<br>0 PLC ±0.2<br>1 PLC ±0.1<br>2 PLC ±<br>3 PLC ±<br>4 PLC ±<br>ANGLES ±5° | APVD             | 29-Sep-08 |                  |           |            |               |
|   | STEPHEN.P        |           | SIZE             | CAGE CODE | DRAWING NO | RESTRICTED TO |
|   | PRODUCT SPEC     | -         | A 4              | 00779     | C=1879337  | -             |
|   | APPLICATION SPEC | -         | Customer Drawing |           |            |               |
|   | WEIGHT           | -         | SCALE            | 40:1      | SHEET      | 1 OF 1        |
|   |                  |           |                  |           | REV        | BA1           |

# Mouser Electronics

Authorized Distributor

Click to View Pricing, Inventory, Delivery & Lifecycle Information:

[TE Connectivity:](#)

[5-1879337-7](#)