

CUSTOMER TERMINAL	RoHS	LEAD(Pb)-FREE
Sn96%, Ag4%	Yes	Yes

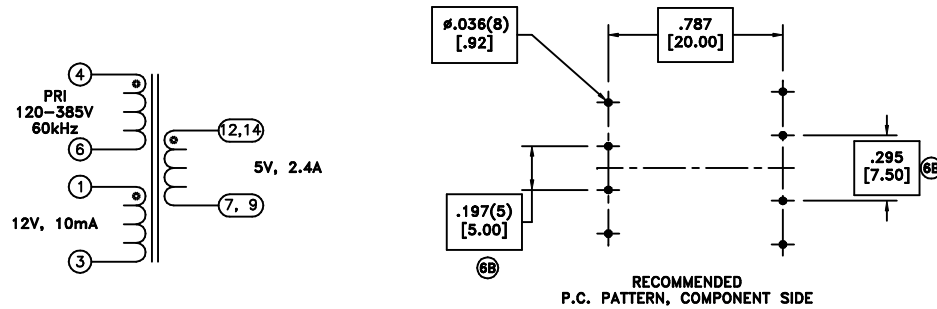
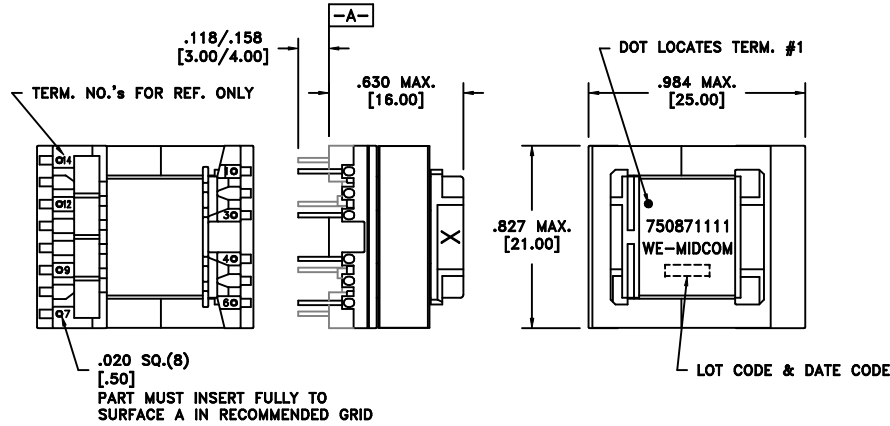
more than you expect



**Midcom**

**ELECTRICAL SPECIFICATIONS @ 25°C unless otherwise noted:**

PARAMETER	TEST CONDITIONS	VALUE
D.C. RESISTANCE	4-6 @20°C	2.4 ohms max.
D.C. RESISTANCE	1-3 @20°C	1.35 ohms max.
D.C. RESISTANCE	7-12 @20°C	0.06 ohms max.
INDUCTANCE	4-6 10kHz, 100mVAC, Ls	1.70mH ±10%
⑥B LEAKAGE INDUCTANCE	4-6 tie(1+3+12+7), 100kHz, 100mVAC, Ls	27uH typ., 45uH max.
DIELECTRIC	4-7 tie(4+1), 4800VAC, 1 second	4000VAC, 1 minute
DIELECTRIC	1-4 1875VAC, 1 second	1500VAC, 1 minute
TURNS RATIO	(4-6):(1-3)	5.19:1, ±2%
TURNS RATIO	(4-6):(12-7)	13.5:1, ±2%



REV.	DATE	Packaging Specifications Method: Tray PKG-0736 www.we-online.com/midcom		Tolerances unless otherwise specified: Angles: ±1° Fractions: ±1/64	Decimals: ±.005 [.13] Footprint: ±.001 [.03]	DRAWING TITLE <b>TRANSFORMER</b>	PART NO. <b>750871111</b>
6C	10/10						
6B	1/09						
6A	10/08	SEE REVISION SHEET FOR	CONVENTION PLACEMENT REVISION LEVEL	This drawing is dual dimensioned. Dimensions in brackets are in millimeters.		eiSos p/n: 750871111	compliant RoHS
							SPECIFICATION SHEET 1 OF 1

# Mouser Electronics

Authorized Distributor

Click to View Pricing, Inventory, Delivery & Lifecycle Information:

[Wurth Electronics:](#)

[750871111](#)