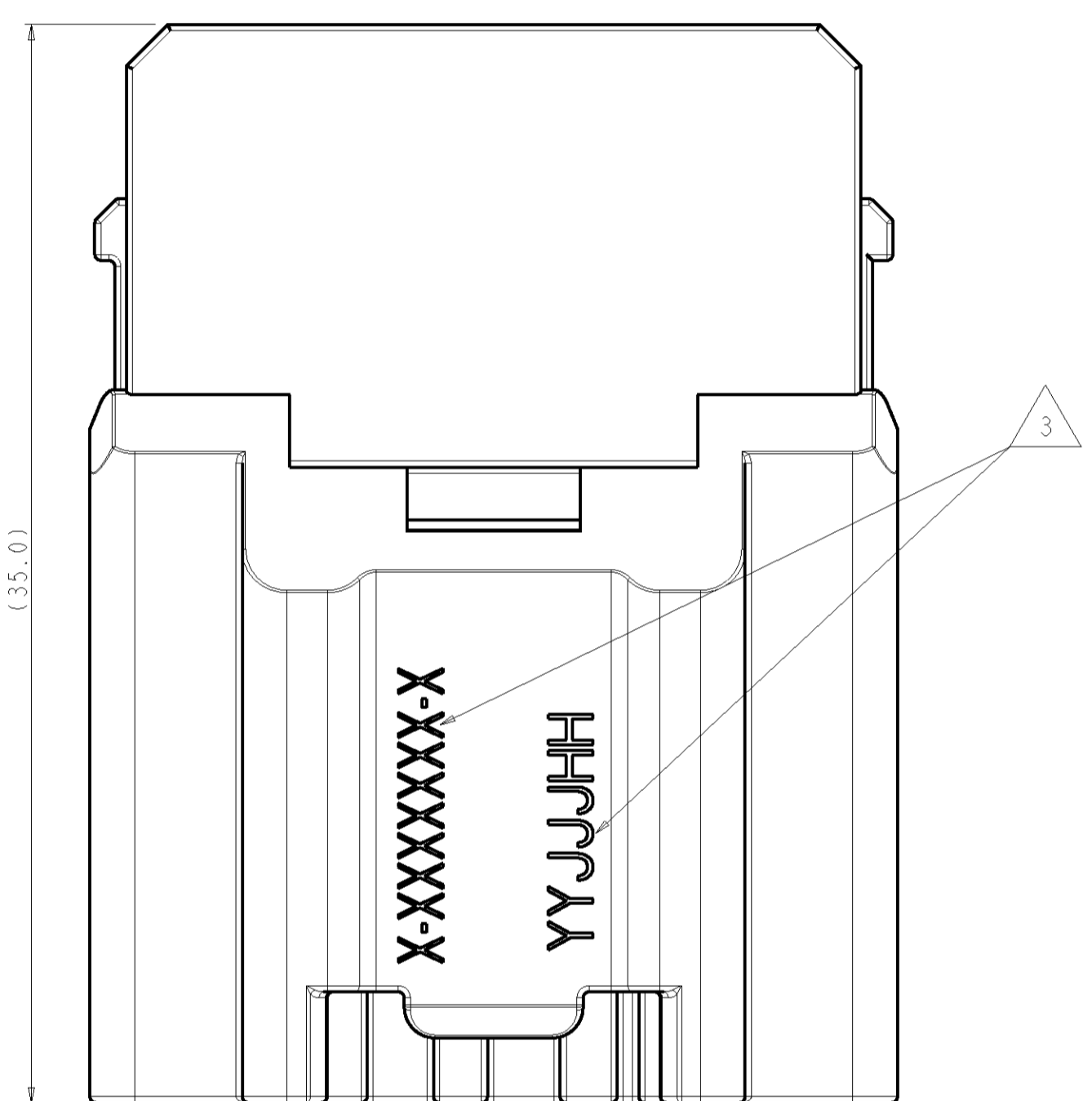
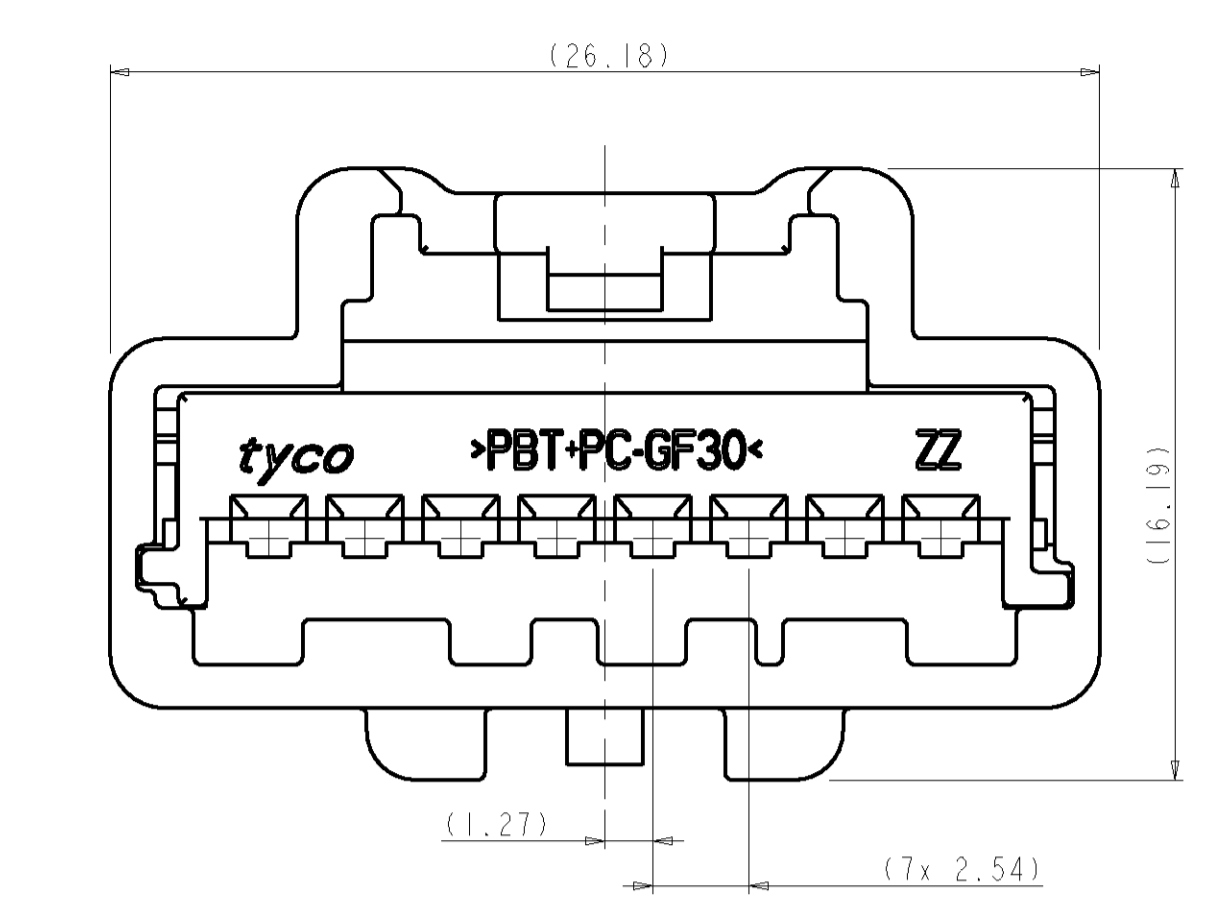
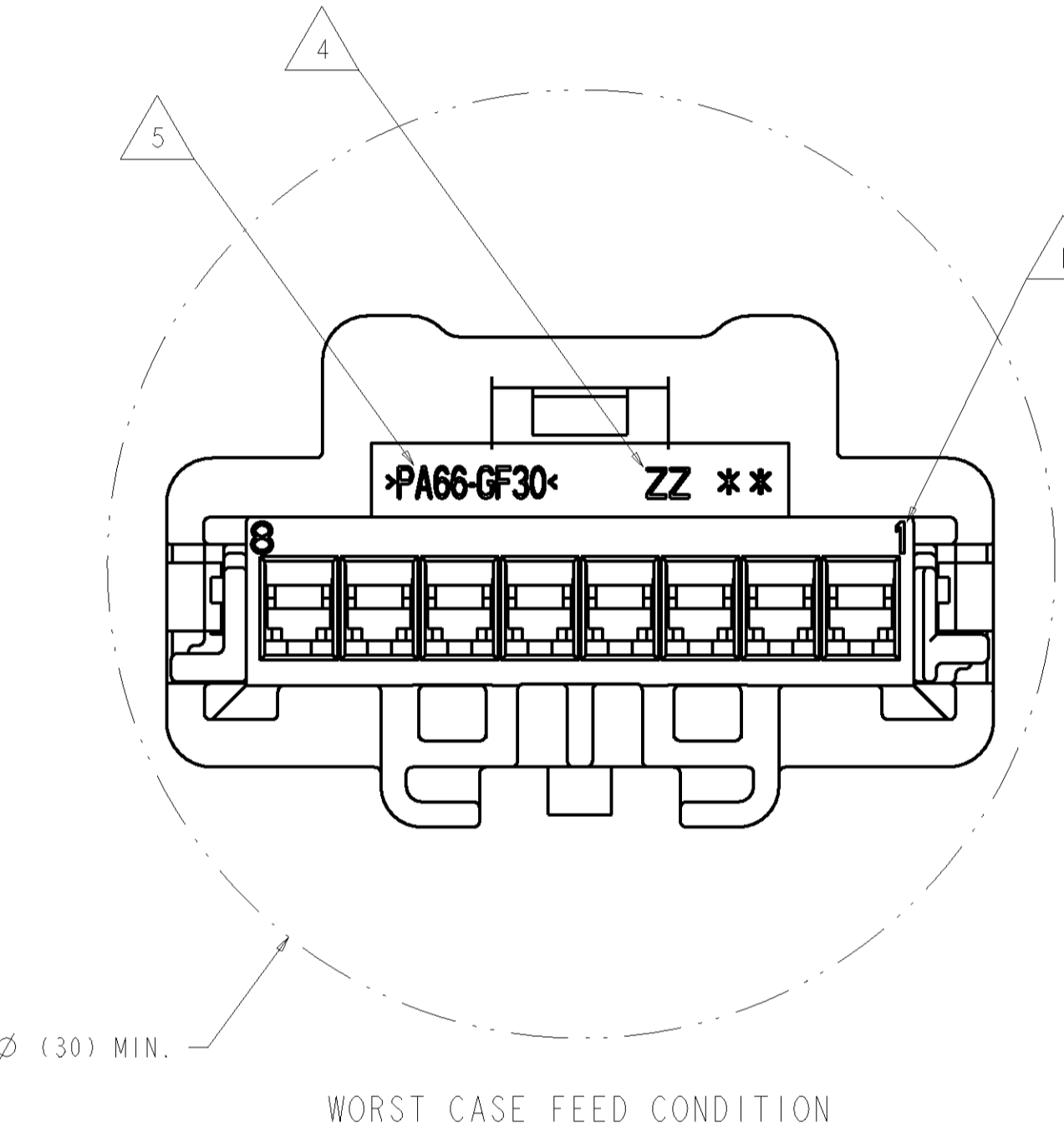
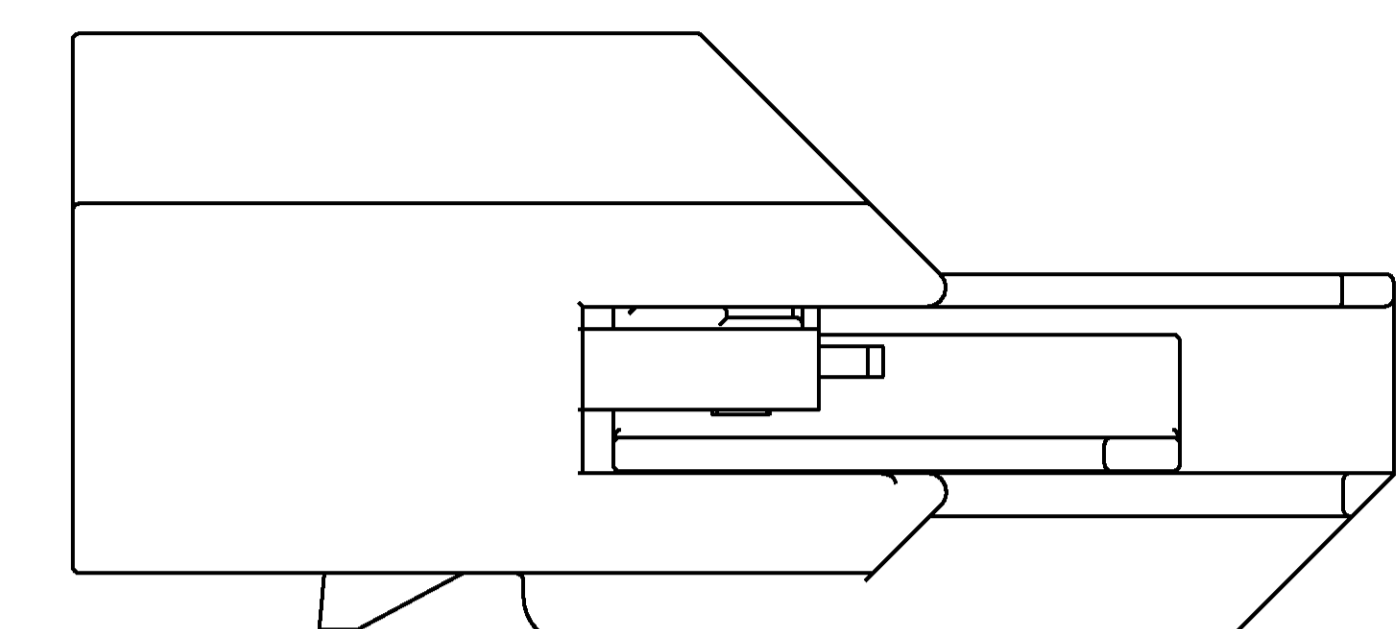
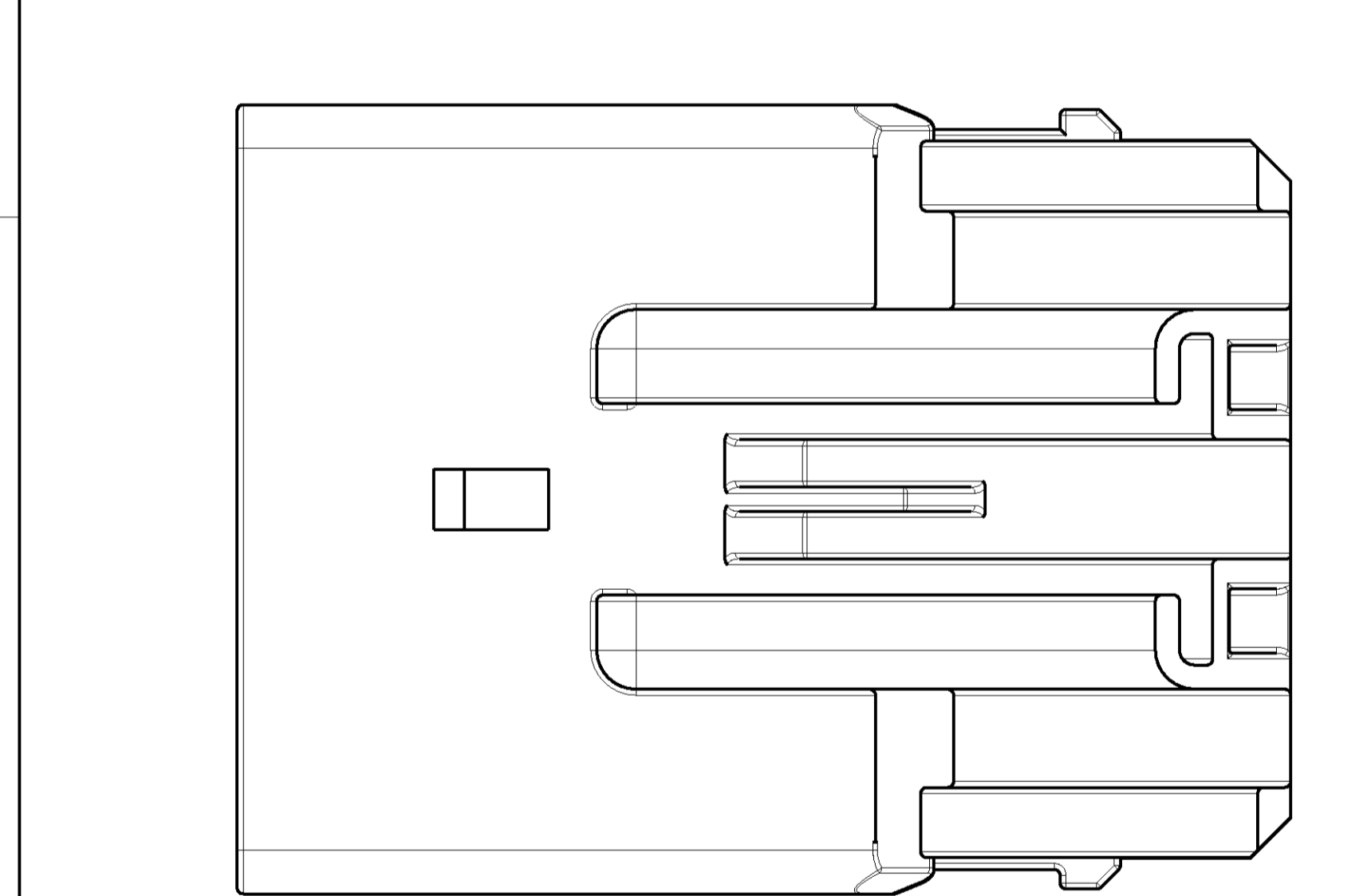
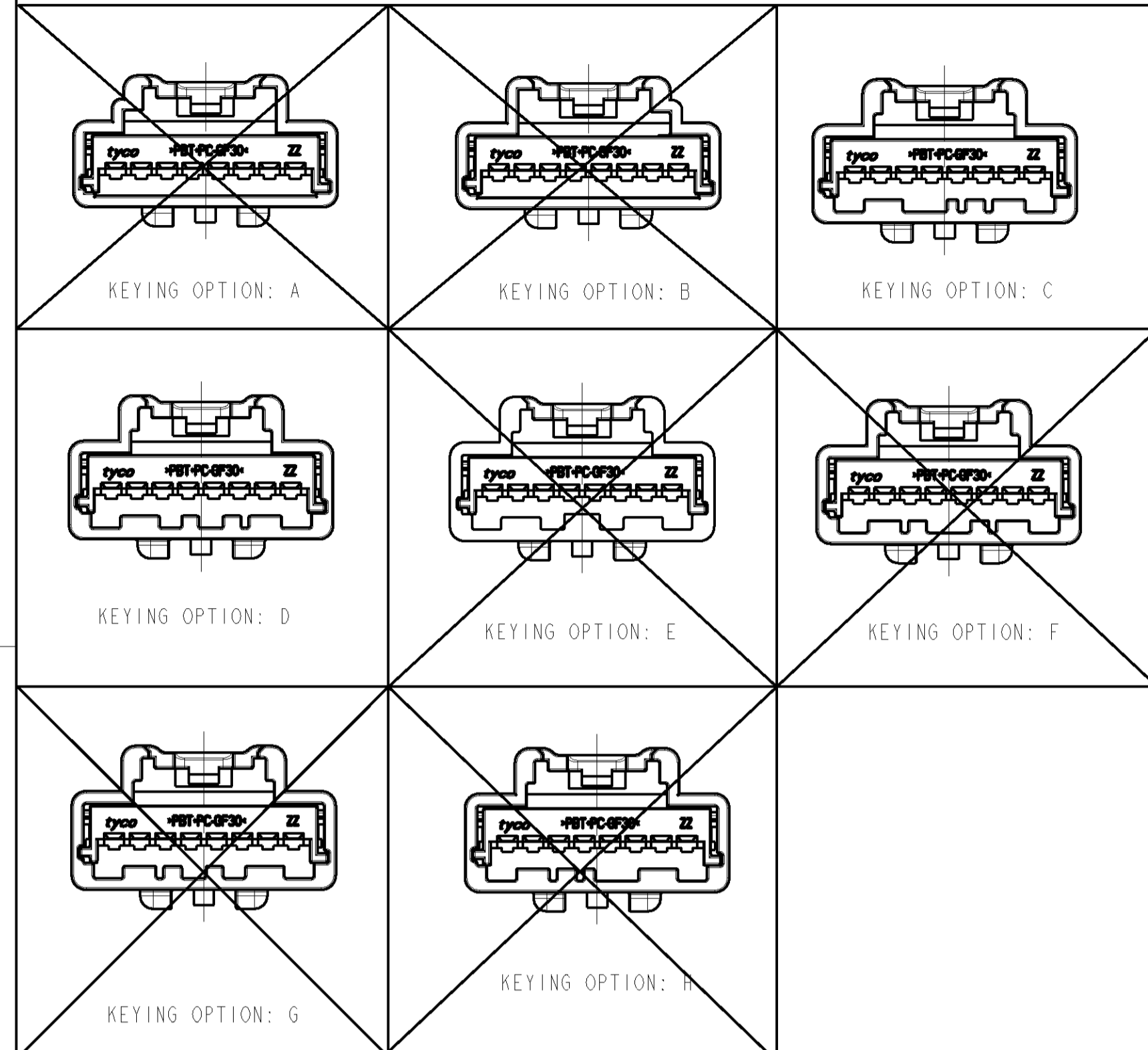
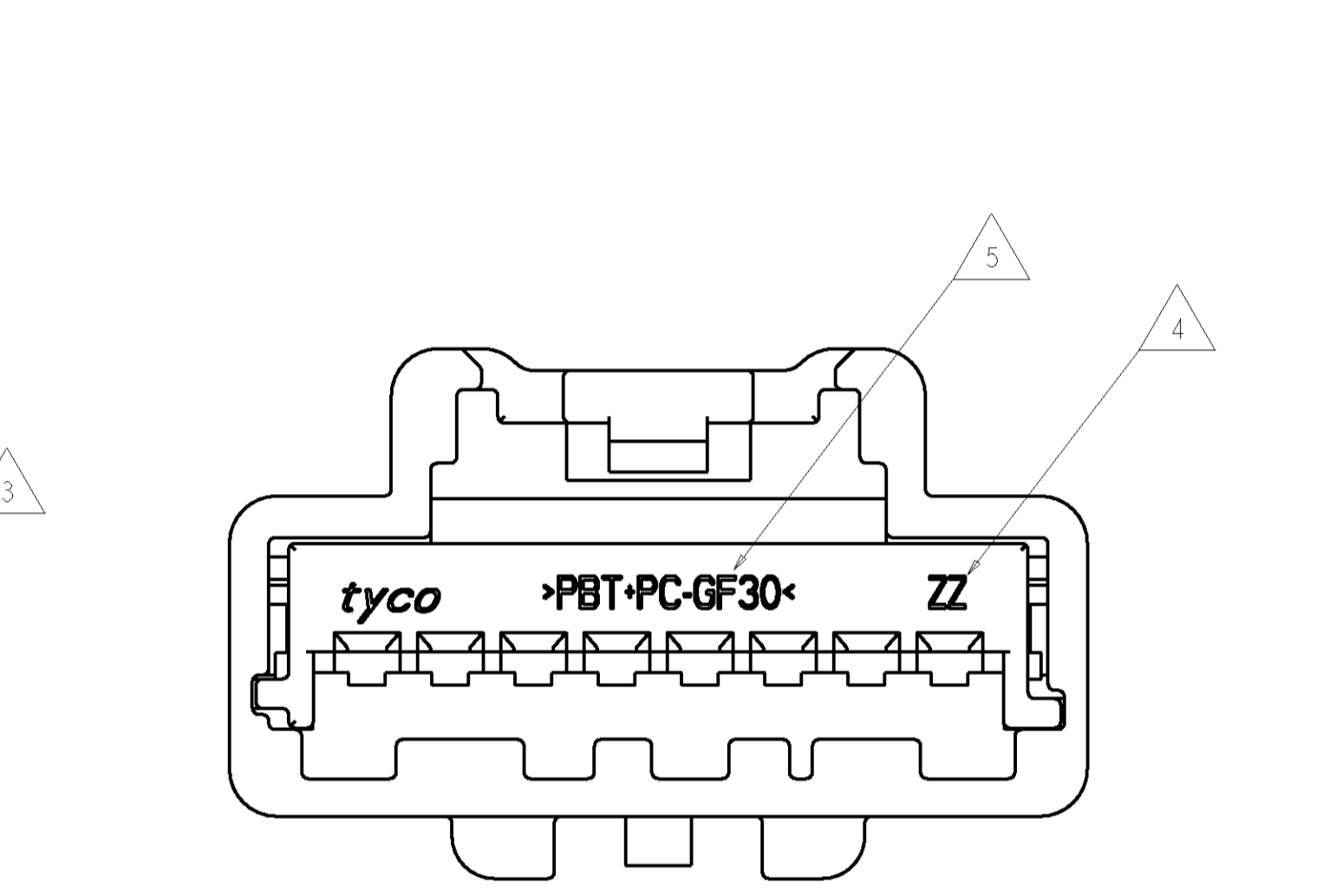
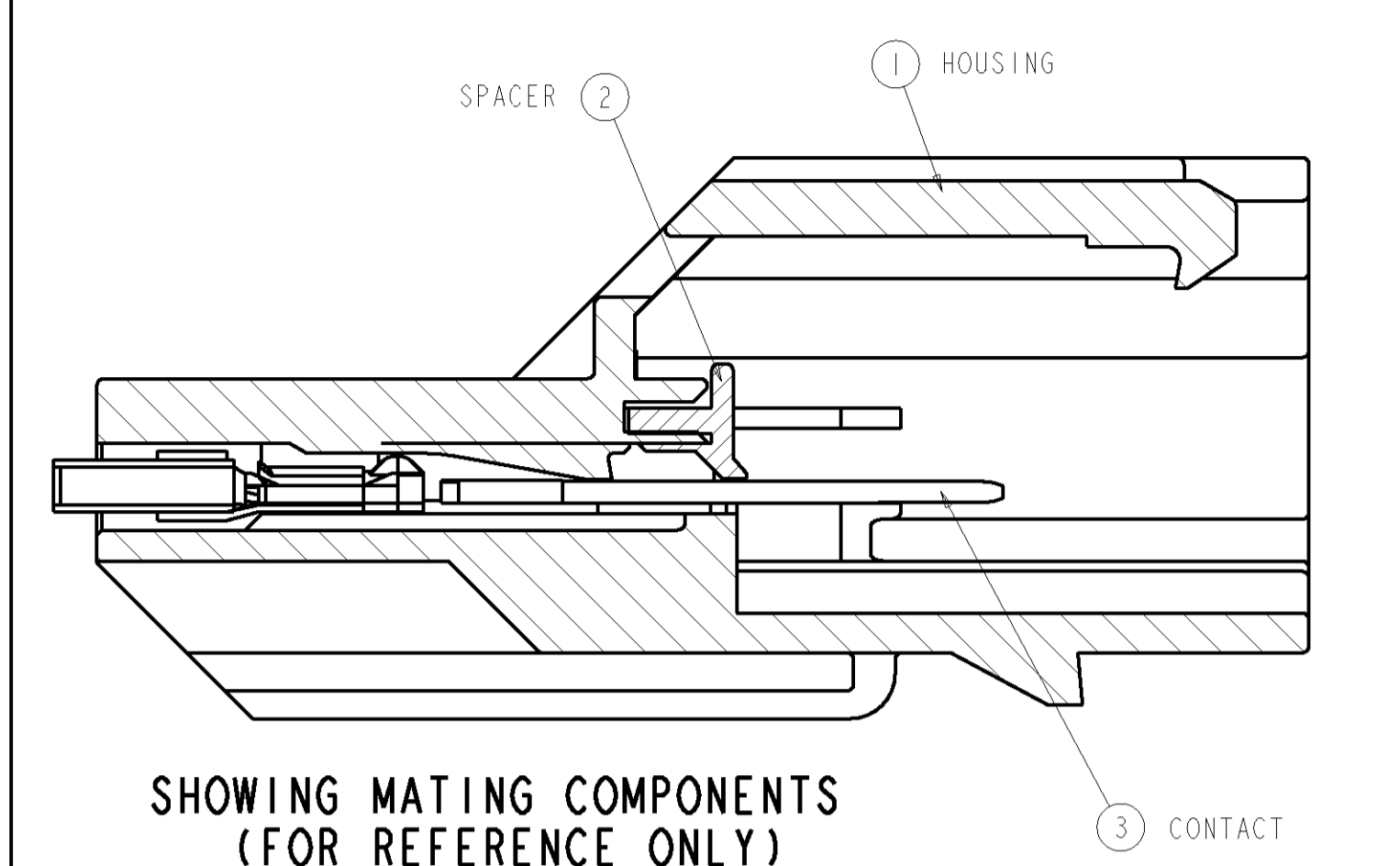


KEYING OPTIONS  
(2:1)



LOC		DIST		REVISIONS			
F	LTR	DATE	BY	CHK	APPV	DATE	BY
C		23JAN2007	DLD	DCS			



CODING D IS SHOWN

- NOTE(S):
- 1 TERMINAL ID
  - 2 DELIVERY CONDITION SPACER IN PRE-ASSEMBLED POSITION
  - 3 PART NUMBER AND TRACEABILITY CODE
  - 4 CAVITY ID
  - 5 MATERIAL IDENTIFICATION
  - 6 PACKING: CONNECTOR ASSEMBLIES BULK PACKED IN CARDBOARD BOX

KEYING OPTIONS								ITEM	DESCRIPTION	MATERIAL	COLOR
A	B	C	D	E	F	G	H				
9-1419166-6	9-1419166-7	9-1419166-0	9-1419166-1	9-1419166-2	9-1419166-3	9-1419166-4	9-1419166-5	2	SPACER	>PBT+PC-GF30<	RED
-	-	-	-	-	-	-	-	1	MALE HOUSING COD.H	>PA66-GF30<	BLACK
-	-	-	-	-	-	-	-	1	MALE HOUSING COD.G	>PA66-GF30<	BLACK
-	-	-	-	-	-	-	-	1	MALE HOUSING COD.F	>PA66-GF30<	BLACK
-	-	-	-	-	-	-	-	1	MALE HOUSING COD.E	>PA66-GF30<	BLACK
-	-	-	-	-	-	-	-	1	MALE HOUSING COD.D	>PA66-GF30<	BLACK
-	-	-	-	-	-	-	-	1	MALE HOUSING COD.C	>PA66-GF30<	BLACK
-	-	-	-	-	-	-	-	1	MALE HOUSING COD.B	>PA66-GF30<	BLACK
-	-	-	-	-	-	-	-	1	MALE HOUSING COD.A	>PA66-GF30<	BLACK

--- TYCO PART NUMBER

DIMENSIONS:	TOLERANCES UNLESS OTHERWISE SPECIFIED:	DWN	16MAR2002		Tyco Electronics
mm	0-ELC ±	CHK	16MAR2002		Harrisburg, PA 17105-3608
MATERIAL	FINISH	NAME		IX8 POSITION, GET, MALE CONNECTOR, UNSEALED, ASSEMBLY	
		PRODUCT SPEC		SIZE	RESTRICTED TO
		APPLICATION SPEC		00779	
		WEIGHT		SCALE	
		CUSTOMER DRAWING		5:1	

# Mouser Electronics

Authorized Distributor

Click to View Pricing, Inventory, Delivery & Lifecycle Information:

[TE Connectivity:](#)

[9-1419166-0](#)