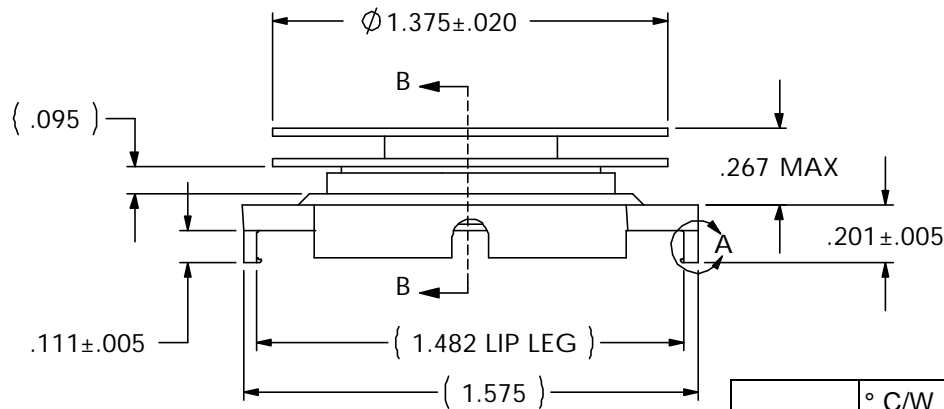
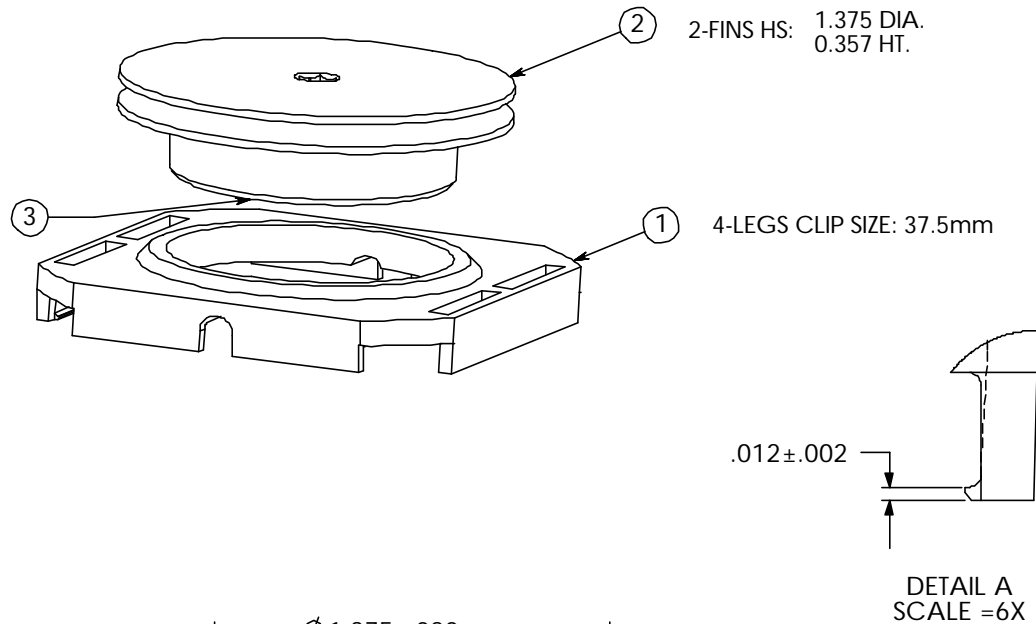
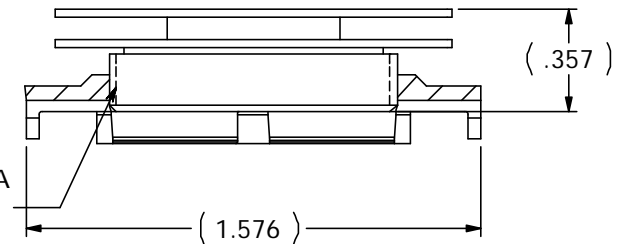


REVISION(S)			
LTR	DESCRIPTION	INIT	APP'D
O	ECN: 0S60-0055-04	E.T 03/03/04	B.P 03/04/04
A	ECR-06-011163	E.T 5/18/06	V.K 5/18/06



$\phi 1" - 27 \text{ UNS} - 2A$   
THREAD



SECTION B-B

Power	° C/W @ Ambient	° C/W @ 200 LFM	° C/W @ 400 LFM	° C/W @ 600 LFM
5 Watts	12.04	6.32	4.30	3.00
10 Watts	10.94	6.44	4.49	3.24
15 Watts	10.07	6.44	4.59	3.26

### CUSTOMER DRAWING

SPECIFICATIONS ARE SUBJECT TO CHANGE WITHOUT NOTICE

ITEM	DESCRIPTION	QTY
1	MOUNTING CLIP	1
2	HEAT SINK	1
3	INTERFACE	1

DO NOT SCALE

**tyco** / Electronics

Attleboro Falls Massachusetts 02763

UNLESS OTHERWISE SPECIFIED TOLERANCES ARE:

.XX ±  
.XXX ±  
.XXXX ±  
ANGLES ± °

DRAWN BY:  
E.TAO

DATE  
03/03/04

MATERIAL:  
SEE NOTE

ENGINEER:  
B.P

DATE  
03/04/04

FINISH:  
SEE NOTE

FILENAME

PROJECT

SYSTEM

CONFIDENTIAL PROPERTY OF TYCO ELECTRONICS. NOT TO BE DISCLOSED TO OTHERS. REPRODUCED OR USED FOR ANY PURPOSES EXCEPT AS AUTHORIZED IN WRITING BY AN AUTHORIZED OFFICIAL OF TYCO. MUST BE RETURNED TO TYCO ON DEMAND, ON COMPLETION OF ORDERS OR OTHER PURPOSES FOR WHICH LENT.

TITLE:

**37.5mm HS ASS'Y  
(HTS365-U)**

DIMENSIONS ARE IN:  
INCHES

SCALE:  
1.5:1

PART NO:  
**1-1542002-1**

SHEET:  
1 OF 1

THIRD ANGLE PROJECTION

SIZE:  
**A**

DWG. NO.  
**C-1-1542002-1**

REV:  
**A**

# Mouser Electronics

Authorized Distributor

Click to View Pricing, Inventory, Delivery & Lifecycle Information:

[TE Connectivity:](#)

[1-1542002-1](#)