

| LOC | DIST | REVISIONS | | | | | |
|-----|------|-----------|-----|---------------------------|-----------|-----|------|
| A1 | - | P | LTN | DESCRIPTION | DATE | OWN | APVD |
| | | B4 | | REVISED PER ECO-11-005150 | 31MAR2011 | RK | HMR |
| | | B5 | | SEE ECR-11-016793 | 23AUG2011 | GS | GS |
| | | C | | SEE ECR-14-012287 | 01SEP2014 | SS | GS |
| | | C1 | | ECR-15-010934 | 23JUL2015 | SS | GS |

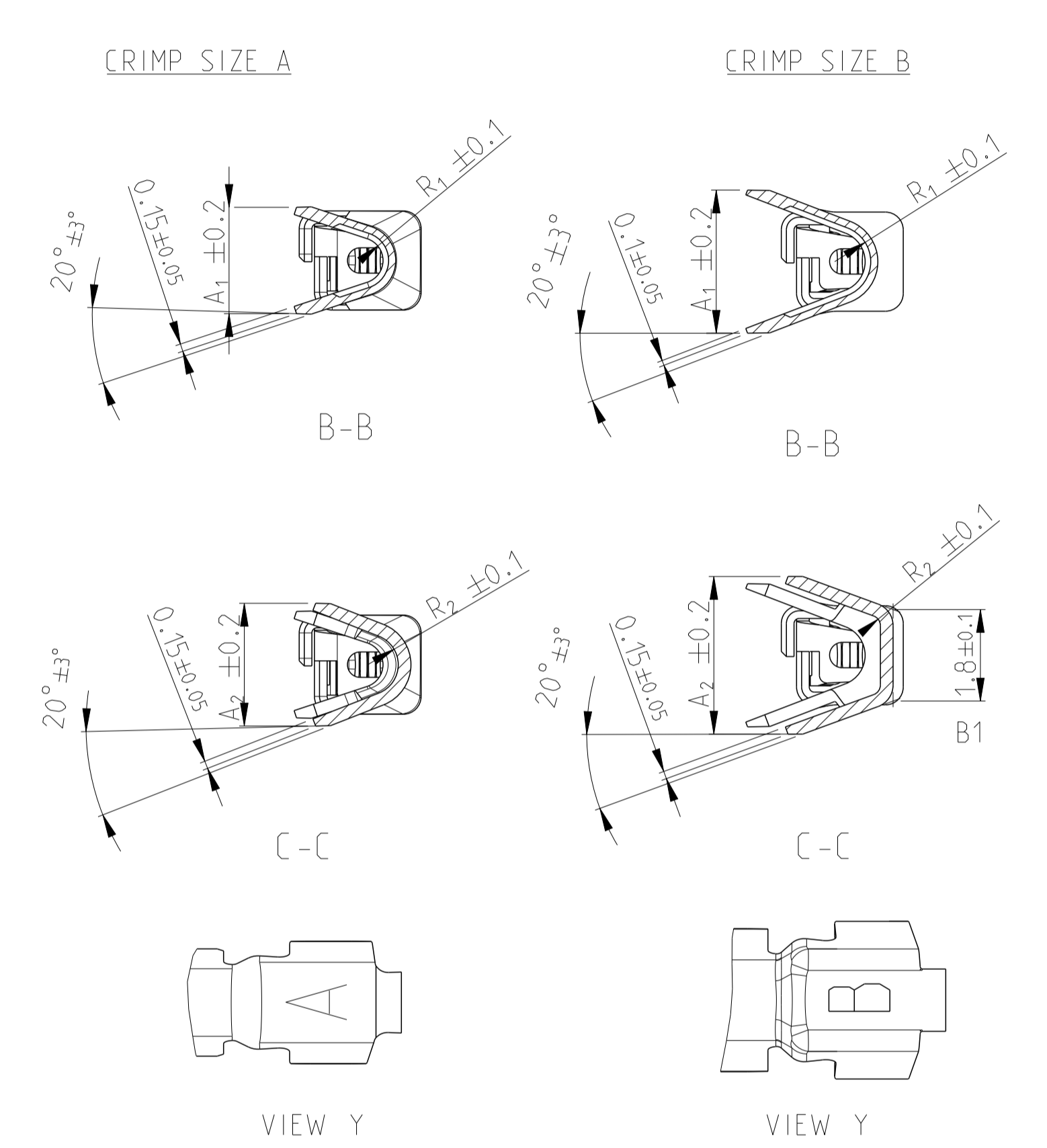
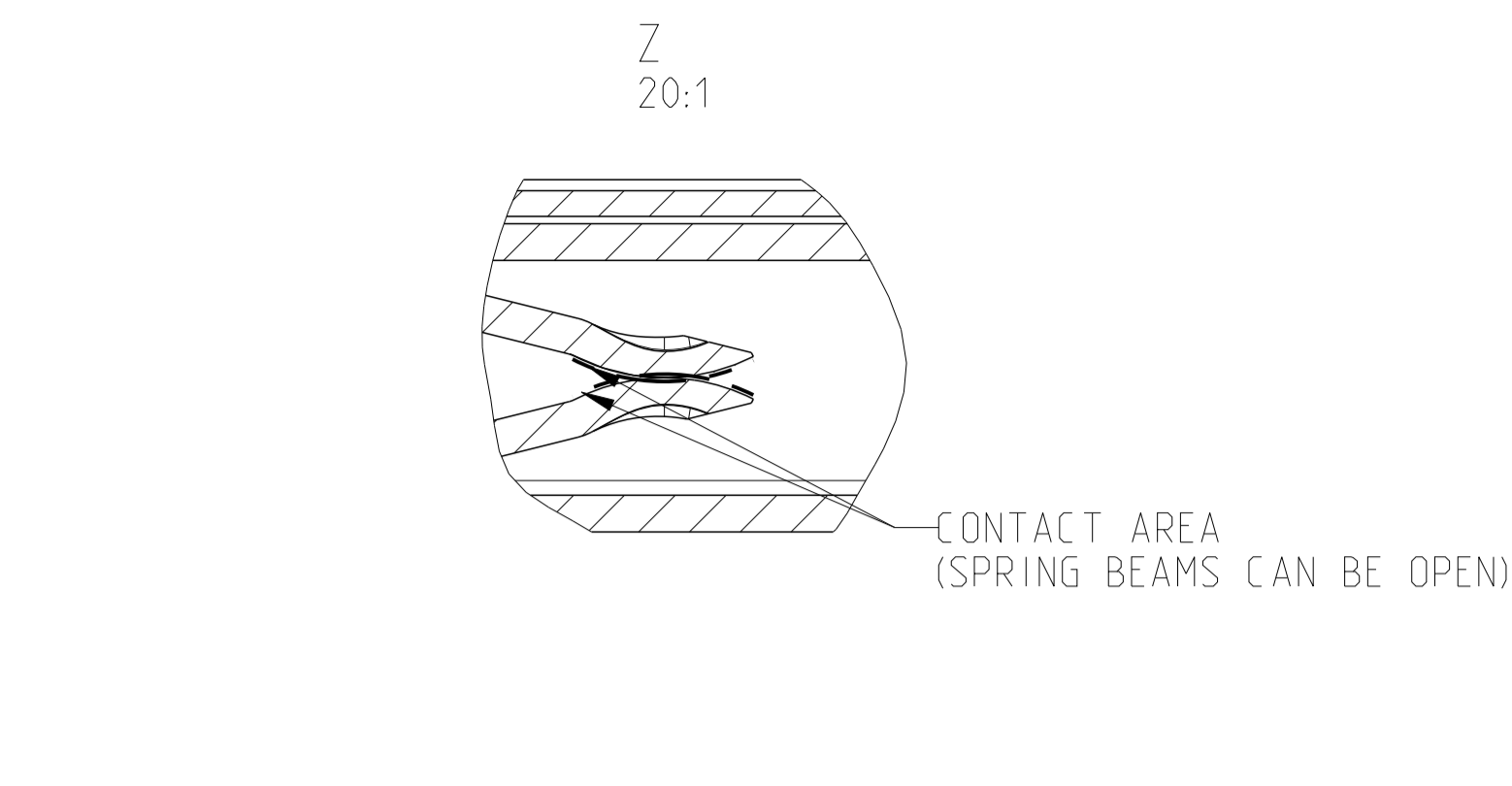
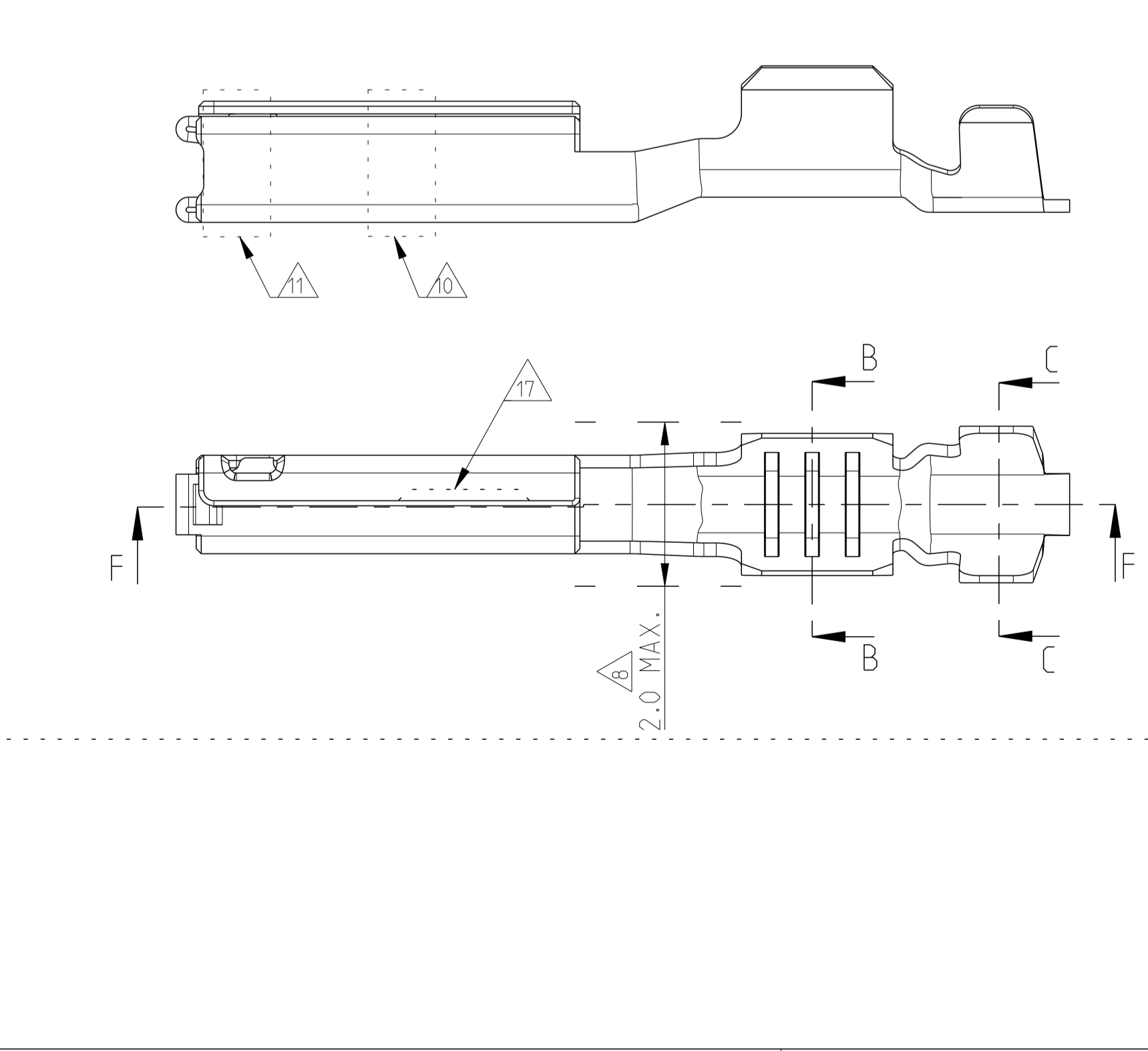
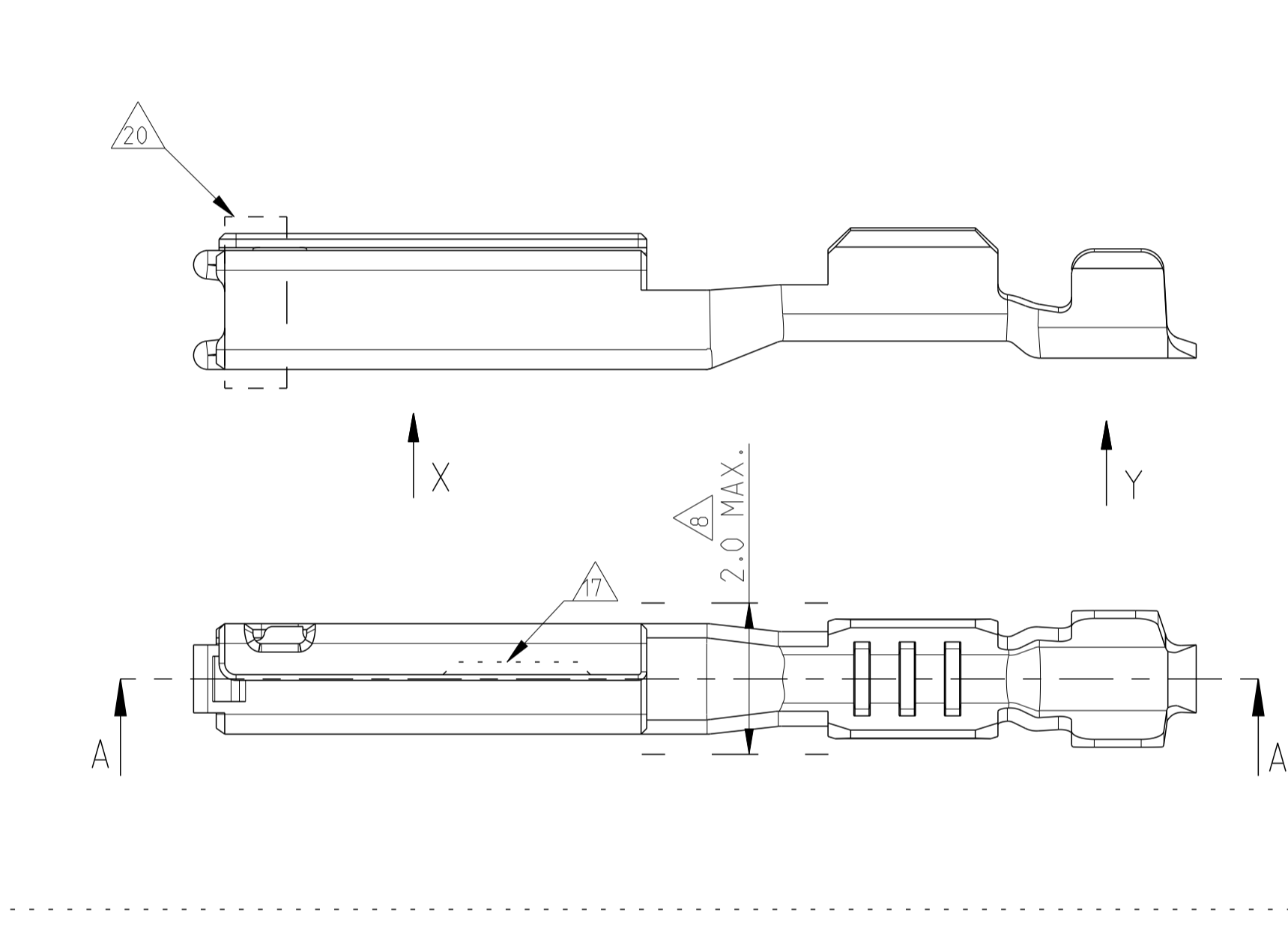
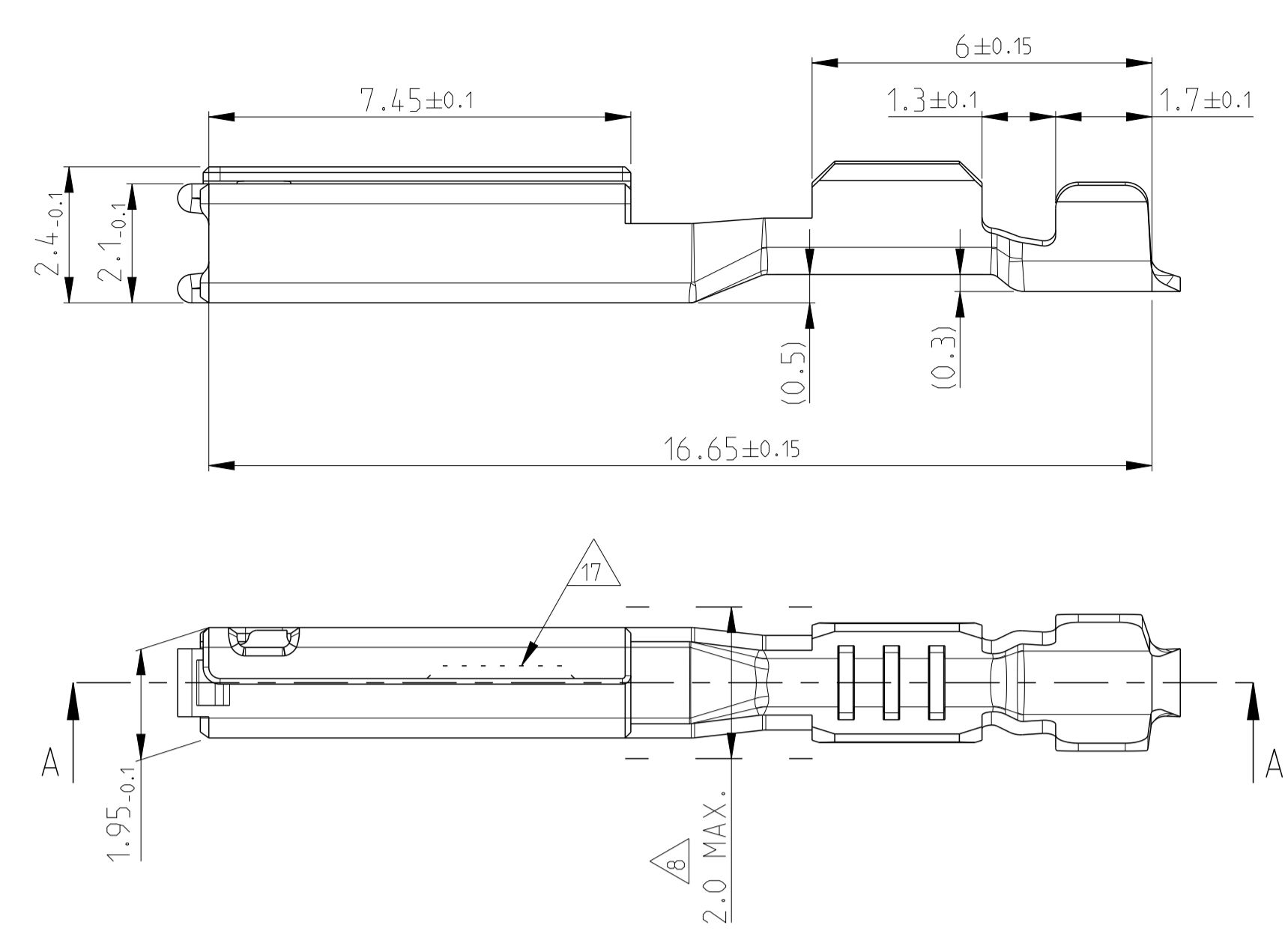
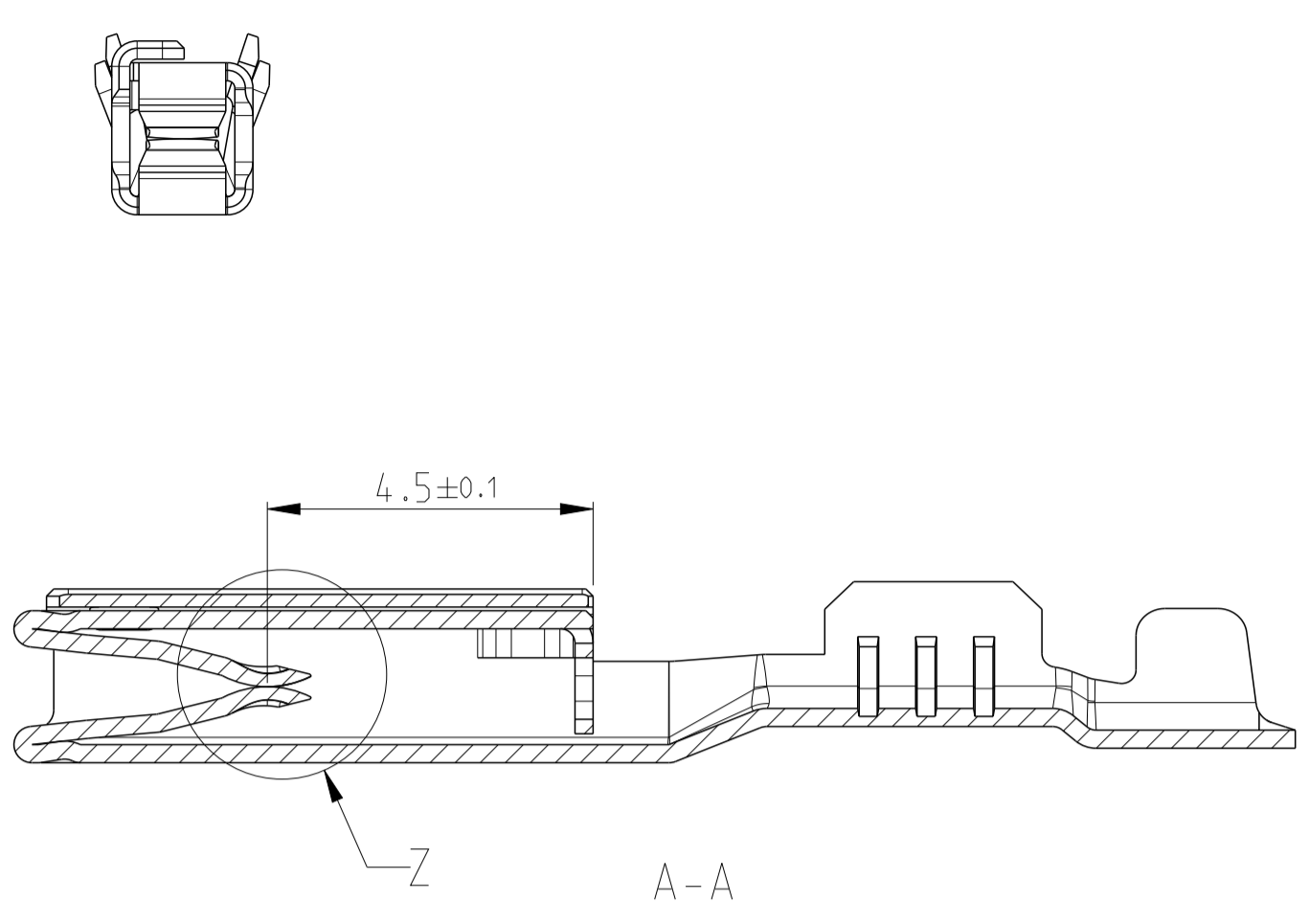


TABLE 1: TERMINAL CRIMP & GRIP REFERENCE TABLE.

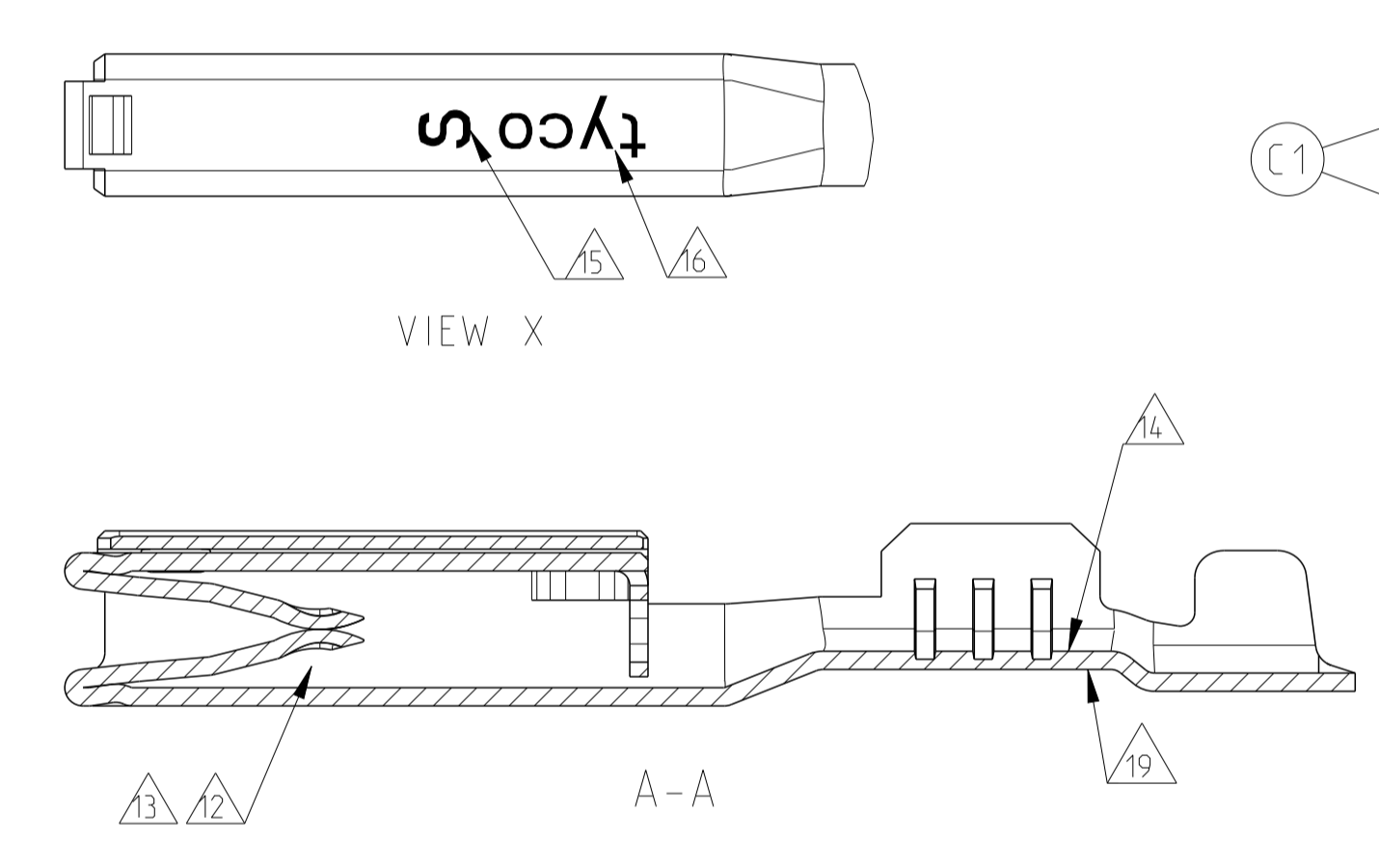
| PART NO. | PART-REV. | PLATING SPECIFICATION | WEIGHT | CONDUCTOR WIRE SIZE | DIMENSIONS | | | | | CONDUCTOR CRIMP INFO | INSULATION CRIMP INFO | MATERIAL TYPE |
|-------------|-----------|-----------------------|--------|---------------------|------------|------|------|-----|-----------|------------------------------------|------------------------|---------------|
| | | | | | A1 | A2 | R1 | R2 | GRIP SIZE | | | |
| 0-1393364-1 | A | GOLD PLATING | 0.22g | 0.22 | 2.11 | 2.4 | 0.45 | 0.6 | A | SEE TE Connectivity SPEC 114-13060 | CuNi35SiMg DIN 1777 | |
| 0-1393364-2 | A | GOLD PLATING | | AWG 22 | 2.11 | 2.4 | 0.45 | 0.6 | A | | | |
| 0-1393367-2 | B | SILVER PLATING | 0.22 | 2.11 | 2.4 | 0.45 | 0.6 | A | | | | |
| 2-1393367-2 | B | SILVER PLATING | 0.35 | 2.11 | 2.4 | 0.45 | 0.6 | A | | | | |
| 0-1393367-1 | B | TIN PLATING | 0.22 | 2.11 | 2.4 | 0.45 | 0.6 | A | | | | |
| 0-1393367-1 | B | TIN PLATING | 0.35 | 2.11 | 2.4 | 0.45 | 0.6 | A | | | | |
| 0-1393365-1 | A | GOLD PLATING | 0.22g | AWG 20 | 2.8 | 3.1 | 0.6 | 0.2 | B | | | |
| 0-1393365-1 | A | GOLD PLATING | | 0.50 | 2.8 | 3.1 | 0.6 | 0.2 | B | | | |
| 0-1393365-2 | A | GOLD PLATING | 0.75 | 2.8 | 3.1 | 0.6 | 0.2 | B | | | | |
| 0-1393366-2 | B | SILVER PLATING | 0.22g | AWG 20 | 2.8 | 3.1 | 0.6 | 0.2 | B | | | |
| 2-1393366-2 | B | SILVER PLATING | 0.50 | 2.8 | 3.1 | 0.6 | 0.2 | B | | | | |
| 0-1393366-2 | B | SILVER PLATING | 0.75 | 2.8 | 3.1 | 0.6 | 0.2 | B | | | | |
| 0-1393366-1 | B | TIN PLATING | 0.22g | AWG 20 | 2.8 | 3.1 | 0.6 | 0.2 | B | | | |
| 0-1393366-1 | B | TIN PLATING | 0.50 | 2.8 | 3.1 | 0.6 | 0.2 | B | | | | |
| 0-1393366-1 | B | TIN PLATING | 0.75 | 2.8 | 3.1 | 0.6 | 0.2 | B | | | | |



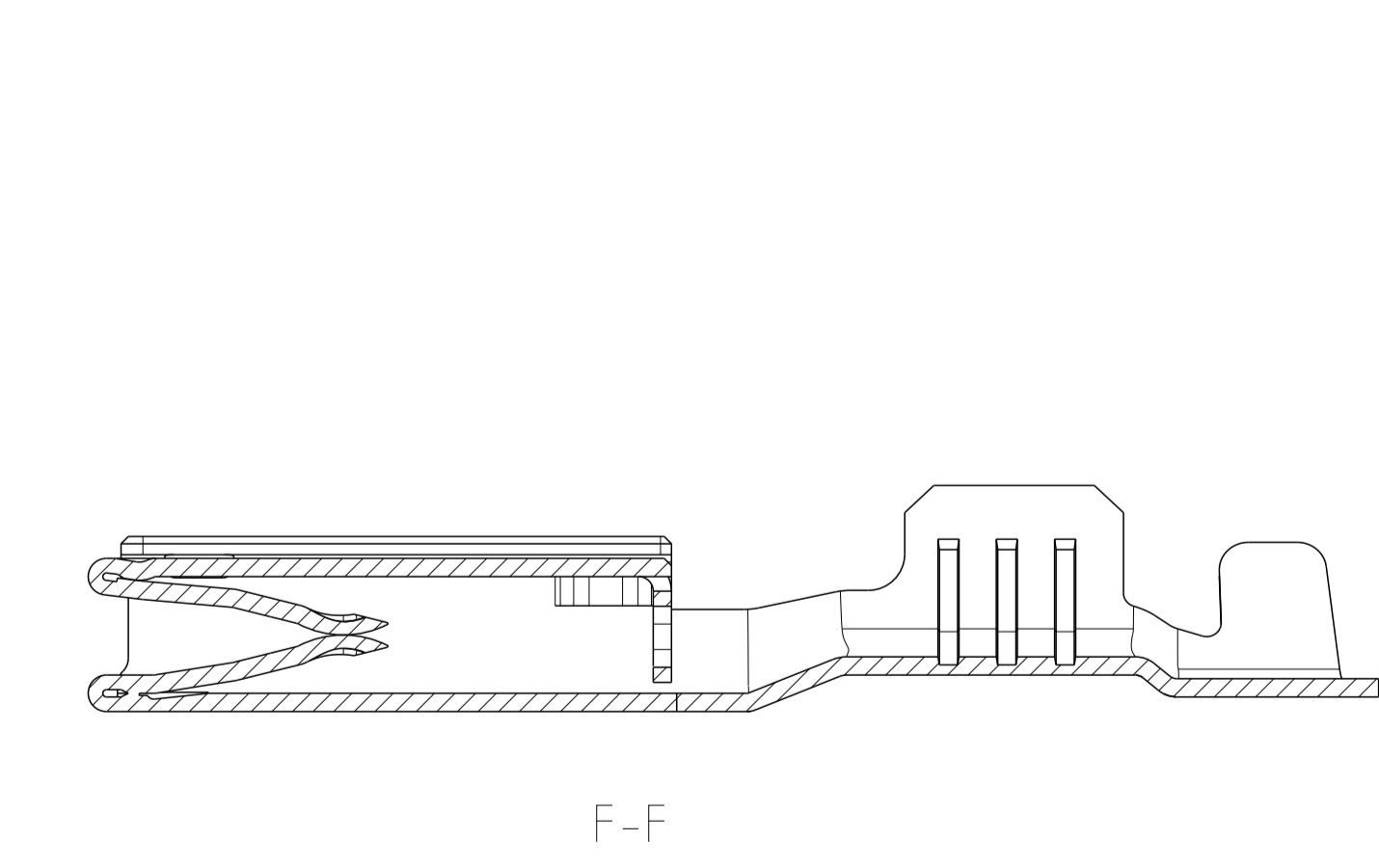
TIN-VERSION



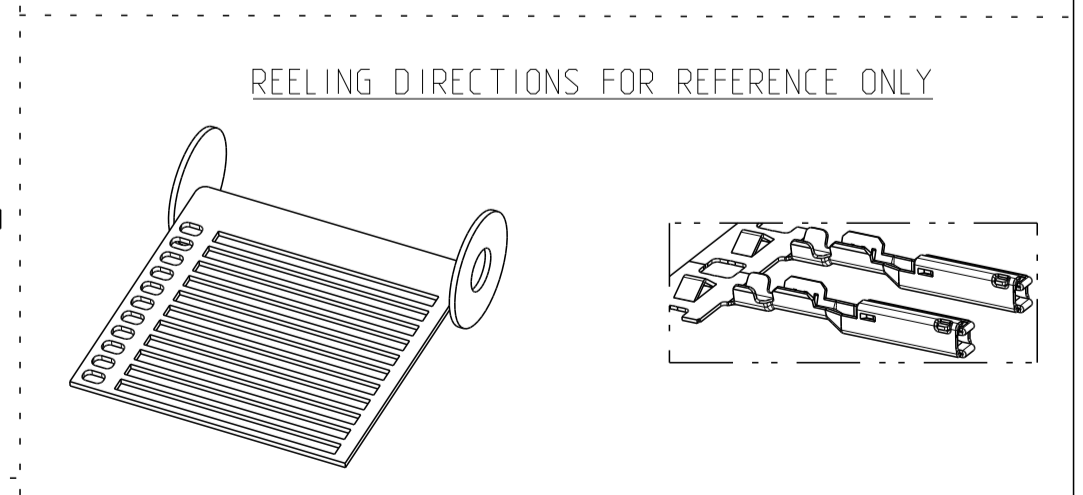
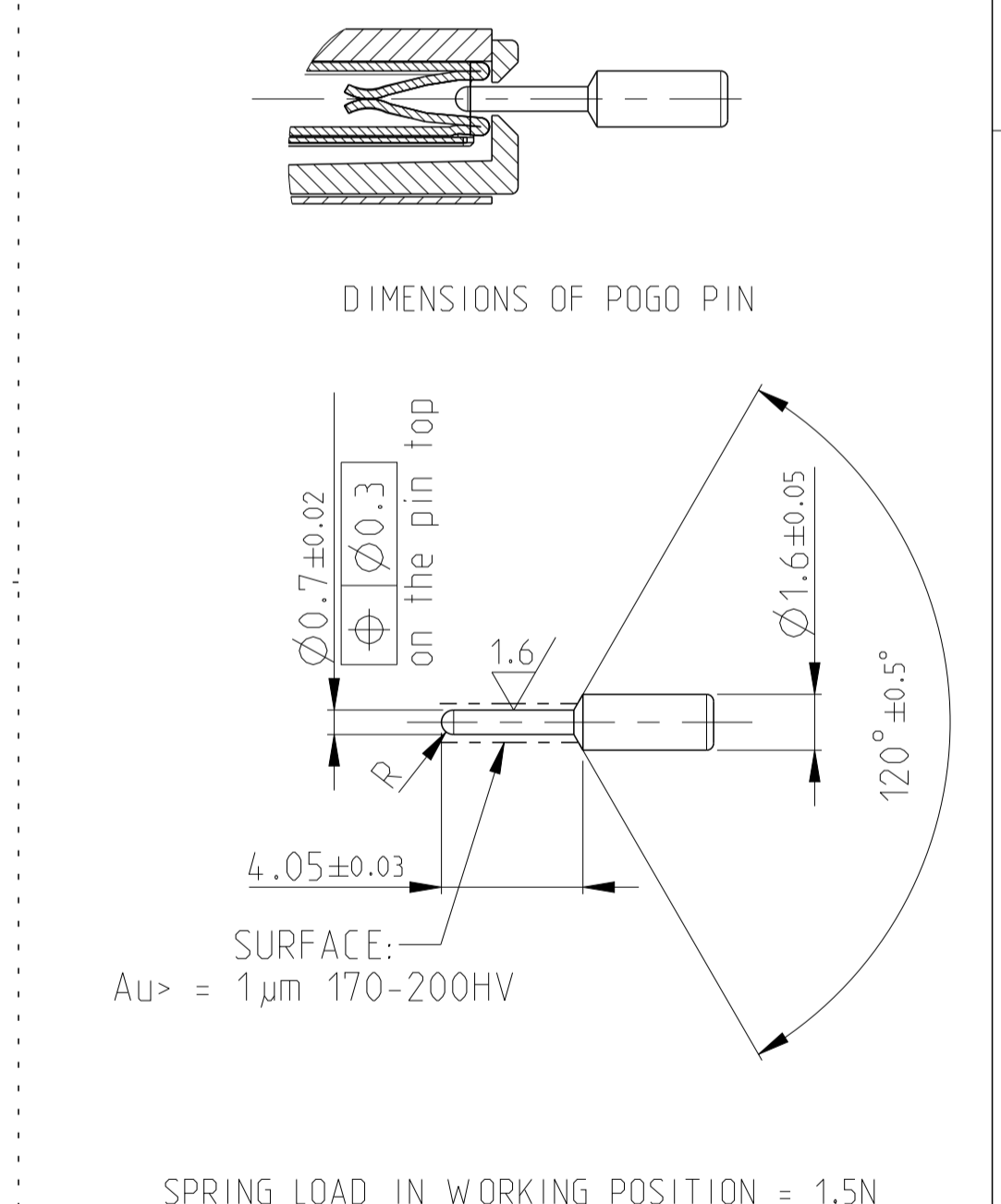
SILVER-VERSION



GOLD-VERSION



- NOTES:
- MATERIAL: COPPER ALLOY. MATERIAL THICKNESS t=0.25±0.01
 - MUST BE FREE OF CRACKS AND BURRS THAT AFFECT FUNCTIONS.
 - WHEN A TIN/GOLD PLATED TERMINAL IS USED ON THE MALE SIDE THEN THE CORRESPONDING PLATING (TIN OR GOLD) MUST BE USED ON THE FEMALE TERMINAL.
 -
 - 0.2 mm MAX RADIUS PERMISSIBLE ON EDGES AND FILLETS SHOWN AS SHARP FOR STAMPING PARTS.
 -
 - LUBRICATION: OPTIMAL
 - THE WIDTH OF THE TRANSITION (INDICATED AREA) MAY NOT EXCEED 2.0MM
 - TE CONNECTIVITY-CRIMP SPECIFICATION: 114-13060
 - AU FLASH STRIPE ALL ROUND TO IDENTIFY Au VERSION
 - GOLD PLATING (≥ 0.38 μm Au) FOR GOLD SHORTING BAR APPLICATIONS VALID FOR 1393364-2 AND 1393365-2 ONLY
 - SILVER PLATING 3-5 μm OVER NICKEL (CONTACT AREA ONLY)
 - TARNISH FOR SILVER VERSION
 - TIN PLATING 2-4 μm OVER NICKEL (CRIMP AREA ONLY)
 - SILVER MARKING
 - ALTERNATE LOGO "TE" OR "T" IS ALLOWED
 - OPTIONAL NOTCH DESIGN ALLOWED
 - FOR SILVER PLATING: ELECTRICAL PERFORMANCE IS NOT AFFECTED BY GRAY OR BLACK TARNISH ON THE SILVER PLATING SURFACE. ACCEPTABLE SILVER SURFACE CAN INCLUDE GRAY OR BLACK TARNISH.
 - TIN PLATING 0.6 μm MIN. OVER NICKEL (CRIMP AREA ONLY)
 - SILVER PLATING (≥ 0.5 μm Ag) FOR SILVER SHORTING BAR APPLICATIONS. VALID FOR 1393366-2 AND 1393367-2 ONLY.
 - DEM REQUIRED PART NUMBER FOR TRACEABILITY. THIS PART NUMBER IS SAME AS P/N 0-1393367-2
 - DEM REQUIRED PART NUMBER FOR TRACEABILITY. THIS PART NUMBER IS SAME AS P/N 0-1393366-2.



| | | | |
|--|--|----------------------|---|
| THIS DRAWING IS A CONTROLLED DOCUMENT. | | OWN: B. VAN SEBROECK | 05FEB01 |
| DIMENSIONS: mm | | CHK: G. STEINBACH | 05FEB01 |
| TOLERANCES UNLESS OTHERWISE SPECIFIED: | | APVD: G. MUMMER | 05FEB01 |
| MATERIAL: - | | FINISH: - | NAME: GET FEMALE TERMINAL GET BUCHSEN KONTAKT |
| APPLICATION SPEC: 114-13060 | | WEIGHT: SEE TABLE | SIZE: A1 |
| CUSTOMER DRAWING | | SCALE: 10:1 | SHEET: 1 OF 1 |

Mouser Electronics

Authorized Distributor

Click to View Pricing, Inventory, Delivery & Lifecycle Information:

[TE Connectivity:](#)

[1393367-1 \(Mouser Reel\)](#) [1393367-1 \(Cut Strip\)](#)