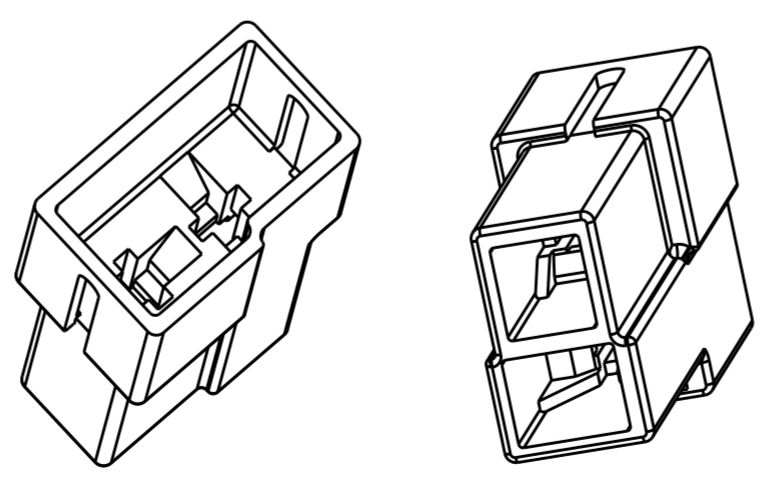
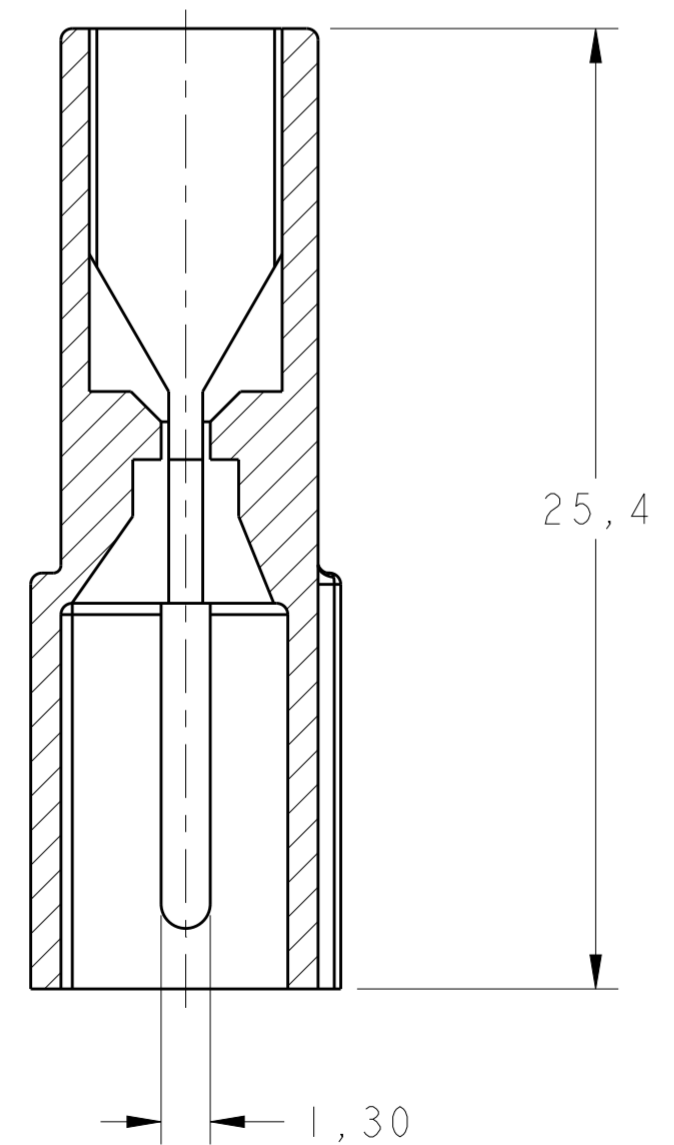
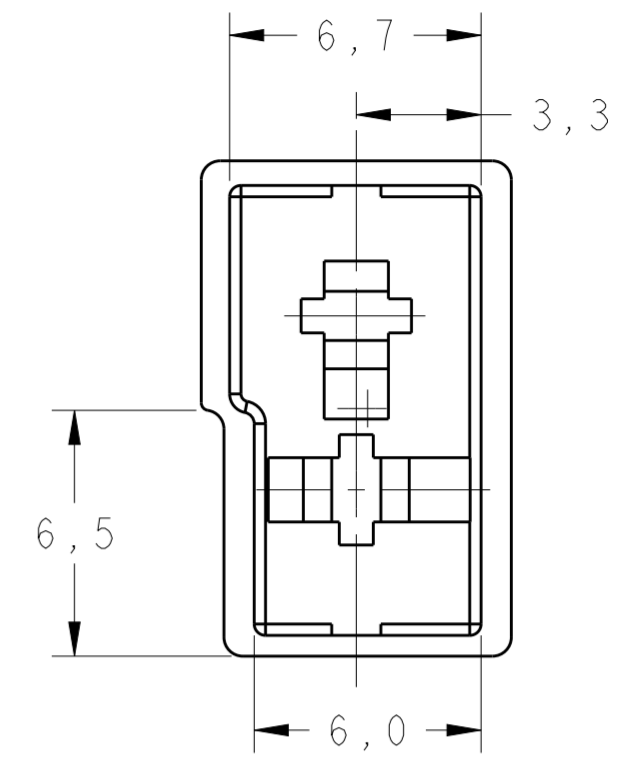
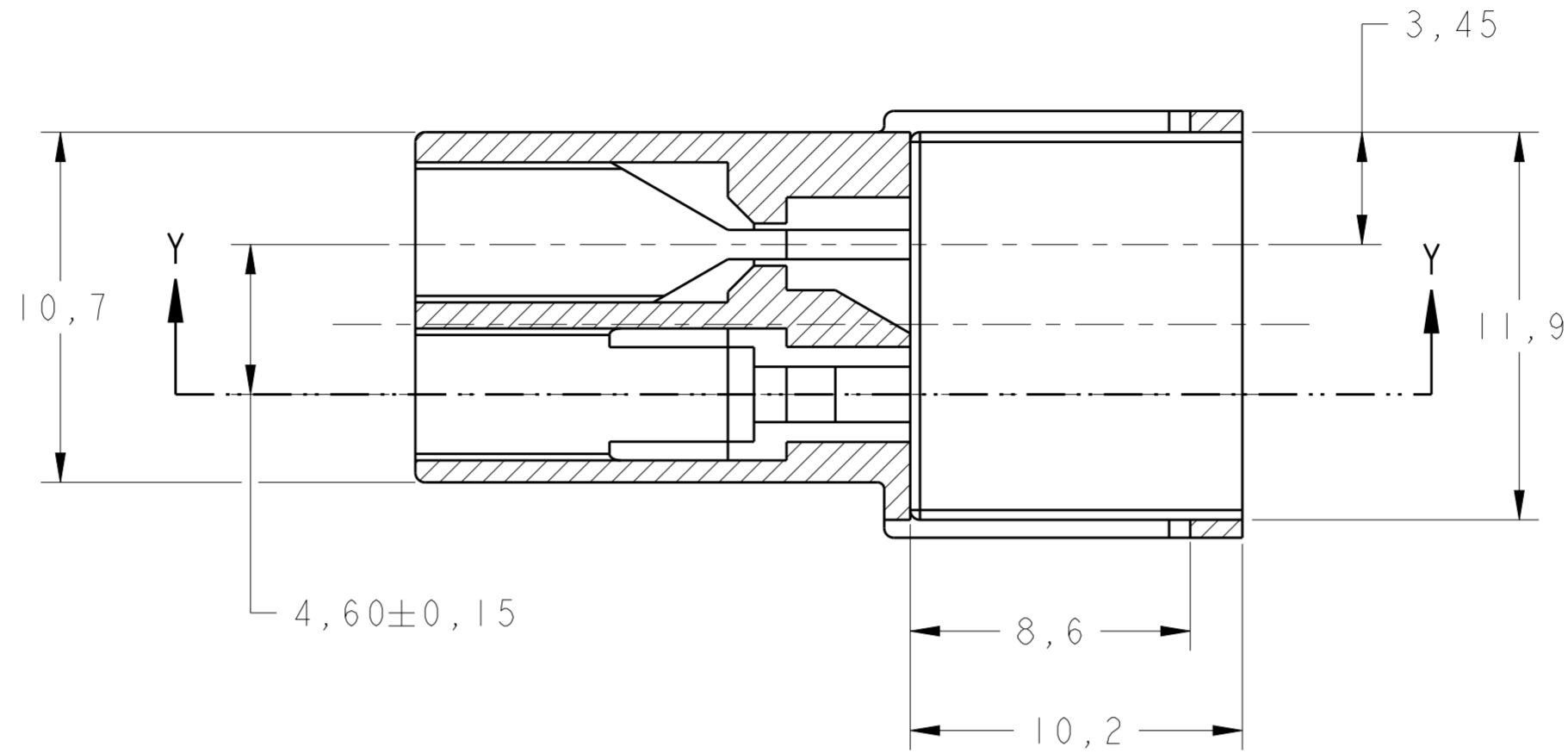
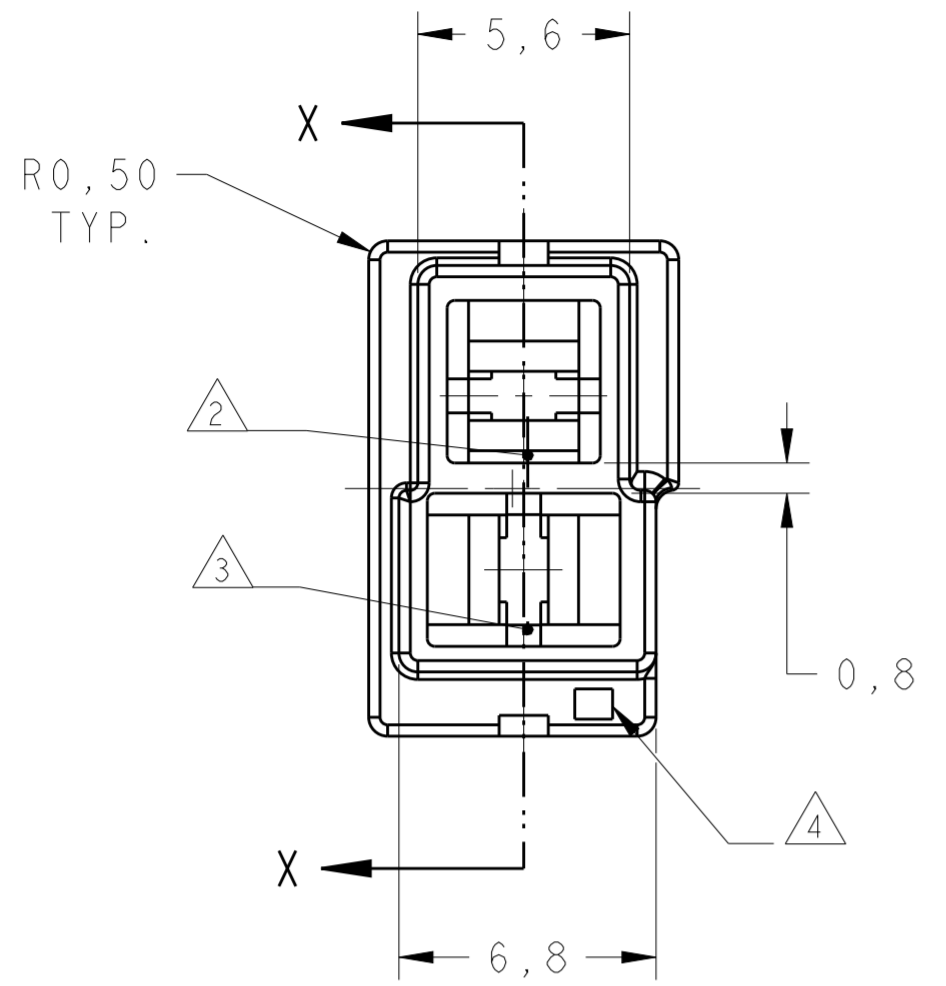


THIS DRAWING IS UNPUBLISHED. RELEASED FOR PUBLICATION 20
 © COPYRIGHT 20 BY - ALL RIGHTS RESERVED.

creo
 CreoParametri2.0
DO NOT REVERSE
EXCEPT BY CAD

REVISIONS					
P	LTR	DESCRIPTION	DATE	DWN	APVD
M		REVISED DESIGN ECO-14-005638	16APR2014	NCL	GOJ
M1		REVISED DRAWING ECO-14-012763	16OCT2014	NCL	DAO
M2		REV. BY ECO 14-019128	09JAN2015	HC	WLS



- ①- MATERIA PRIMA CONFORME ESPECIF. IEC 60335-1
 GWT 750° C, SEM CHAMAS.
 - RAW MATERIAL ACC. TO SPEC 60335-1
 GWT 750° C, WITHOUT FRAME.
- ②- CIRCUITO 1-SOMENTE PARA REFERENCIA.
 - CIRCUIT 1- FOR REFERENCE ONLY.
- ③- CIRCUITO 2- SOMENTE PARA REFERENCIA.
 - CIRCUIT 2- FOR REFERENCE ONLY.
- ④- NÚMERO DA CAVIDADE DO MOLDE.
 - MOLD CAVITY NUMBER.
- ⑤- OBSOLETE PARTS: OBSOLETE CIS STREAMLINING
 PER D.RENAUD/D.SINISI

6-WORK BETTER WHEN USED WITH
 TAB PN-881719 OR PN-880638.

FINISH	MATERIAL	PART NUMBER
NATURAL	PA6.6 V-0	① 1-626065 -2
NATURAL	PA6.6-ZYTEL 103 HSL	⑤ 1-626065 -1
NATURAL	PBT V-0	⑤ 1-626065 -0
ORANGE	POLIAMIDA 6.6	⑤ 626065 -9
VIOLET	POLIAMIDA 6.6	⑤ 626065 -8
GRAY	POLIAMIDA 6.6	⑤ 626065 -7
BROWN	POLIAMIDA 6.6	⑤ 626065 -6
BLACK	POLIAMIDA 6.6	626065 -5
YELLOW	POLIAMIDA 6.6	⑤ 626065 -4
BLUE	POLIAMIDA 6.6	⑤ 626065 -3
GREEN	POLIAMIDA 6.6	⑤ 626065 -2
RED	POLIAMIDA 6.6	⑤ 626065 -1
NATURAL	POLIAMIDA 6.6	626065 -0

SECTION Y-Y

PERSPECTIVE VIEW
 SCALE 3:1

THIS DRAWING IS A CONTROLLED DOCUMENT.

DIMENSIONS: mm	TOLERANCES UNLESS OTHERWISE SPECIFIED: 0 PLC ±0,2 1 PLC ±0,3 2 PLC ± 3 PLC ± 4 PLC ± ANGLES ±30' FINISH	DWN NCLAPRESA 18FEB2011 CHK JRGOLDSCHIMDT 18FEB2011 APVD MBGODOY 18FEB2011	TE Connectivity NAME - HOUSING 2 POSN., FASTIN-ON .110 TAB
MATERIAL SEE TABLE		PRODUCT SPEC - APPLICATION SPEC - WEIGHT - Customer Drawing	

SIZE A2	CAGE CODE 00779	DRAWING NO C-626065	RESTRICTED TO -
SCALE 5:1	SHEET 1	OF 1	REV M2

Mouser Electronics

Authorized Distributor

Click to View Pricing, Inventory, Delivery & Lifecycle Information:

[TE Connectivity:](#)

[1-626065-2](#)