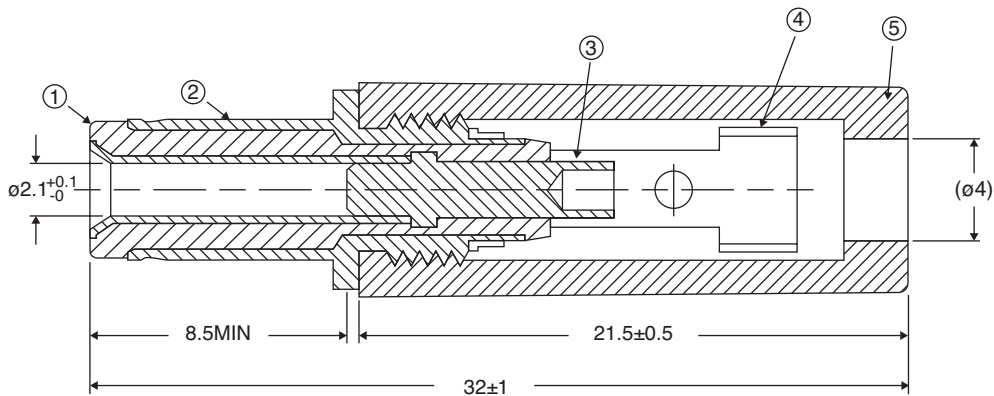
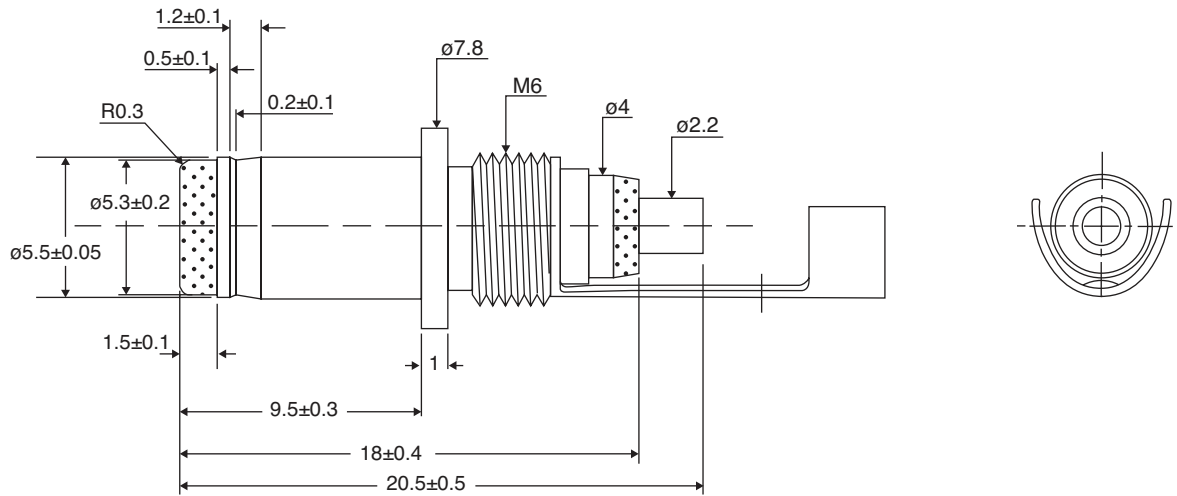


DC Power Plug

171-PA5521B-1-E



DC Power Plug



DIMENSIONS: mm

MATERIAL SPECIFICATIONS	
1:	POM Black
2:	Brass Nickel
3:	Brass Nickel
4:	Brass Nickel
5:	ABS Black
RoHS Compliant	

171-PA5521B-1-E

Date Last Revised: 05-23-12

Available from Mouser Electronics
1-800-346-6873 / www.mouser.com

KC-301417

Specifications are subject to change without notice. No liability or warranty implied by this information. Environmental compliance based on producer documentation.

Mouser Electronics

Authorized Distributor

Click to View Pricing, Inventory, Delivery & Lifecycle Information:

[Kobiconn:](#)

[171-PA5521B-1-E](#)