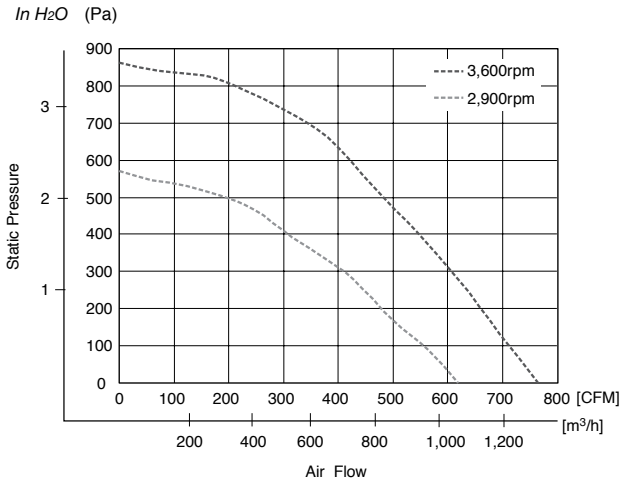




Characteristic Curves



General Specifications

Motor Protection:

Locked Rotor, Reverse Polarity

Insulation Resistance:

10M Ω min measured with 500V DC between all leads shorted together and case

Dielectric Withstand Voltage: AC 700V 1 minute

Allowable Ambient Temperature Range:

-30°C ~ +70°C (Operating)
-40°C ~ +80°C (Storage)

Expected Life

Failure Rate: 10%

40°C 70,000 Hours (L10)

Material

Impeller : Plastic

Bearing : Ball Bearing

Lead Wire: UL1015, AWG18, +Red, -Black,
Speed Control = Yellow,
Speed Signal = White

Specifications

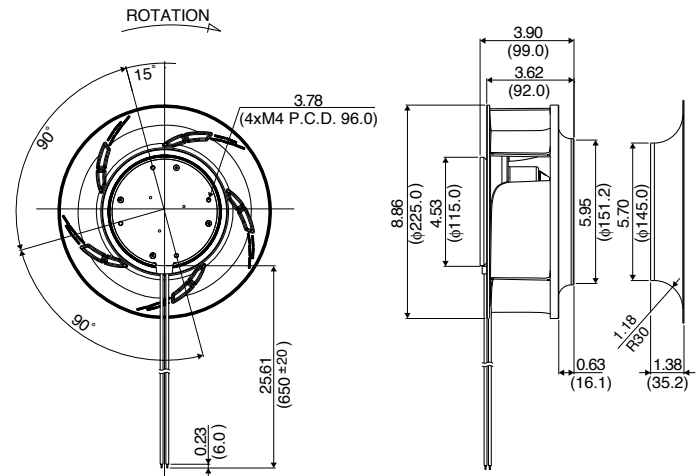
MODEL	Rated Voltage	Operating Voltage	Current	Input Power	Speed	Max. Air Flow		Max. Static Pressure		Noise	Mass
	(V)	(V)	(A) ^{*1}	(W) ^{*1}	(min ⁻¹) ^{*1}	CFM ^{*1}	(m³/min) ^{*1}	in H ₂ O	(Pa) ^{*1}	(dB) ^{*1}	(g)
F225A2-092-D0730	48	30 ~ 72	4.15	201.6	3600	763	21.61	3.44	860	79	2100
F225A3-092-D0720	48	30 ~ 72	2.15	105.6	2900	618	17.50	2.30	575	74	2100
F225A4-092-D0530	24	18 ~ 30	7.20	172.8	3600	763	21.61	3.44	860	79	2100
F225A5-092-D0520	24	18 ~ 30	3.85	93.6	2900	611	17.50	2.30	575	74	2100

Rotation: Clockwise

*1: Average Values in Free Air and Rated Voltage Condition

Outline

Units: $\frac{\text{inch}}{\text{mm}}$



Mouser Electronics

Authorized Distributor

Click to View Pricing, Inventory, Delivery & Lifecycle Information:

[NMB Technologies:](#)

[F225A2-092-D0730](#) [F225A5-092-D0520](#) [F225A4-092-D0530](#) [F225A3-092-D0720](#)