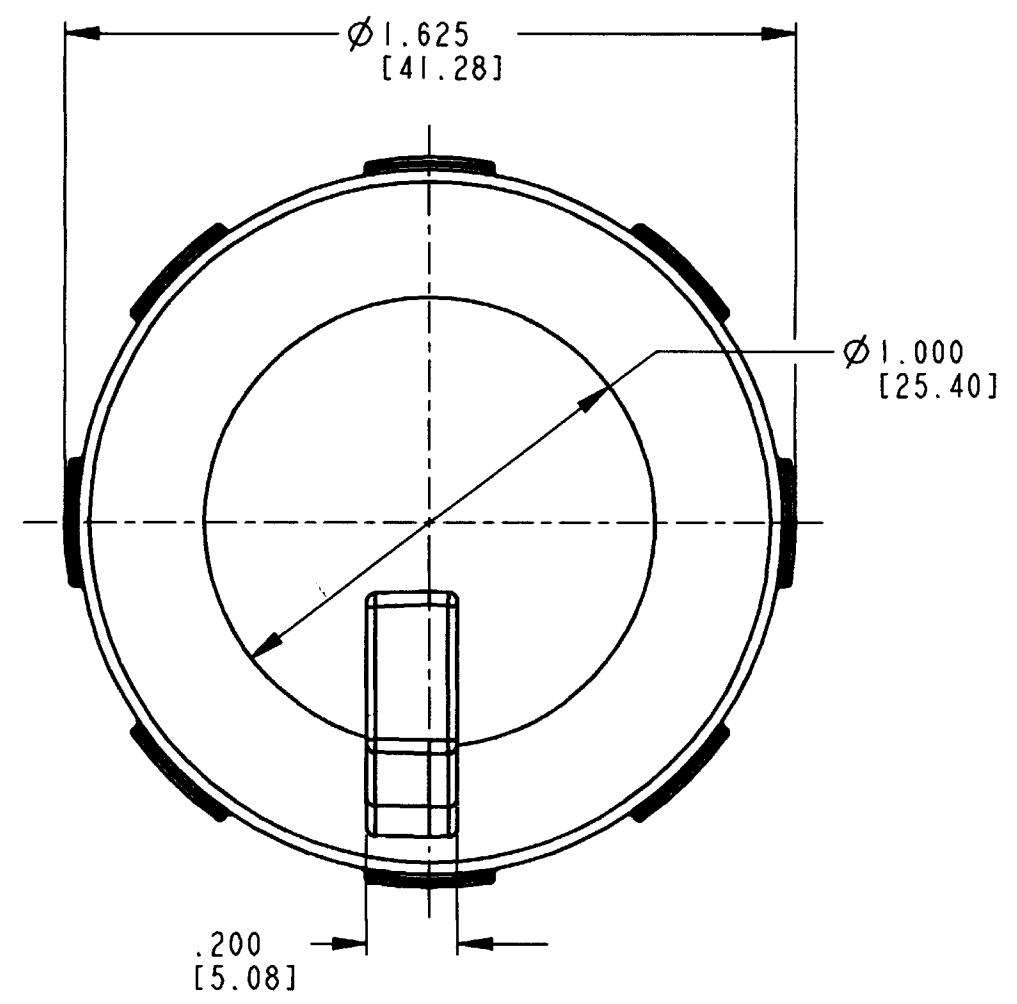
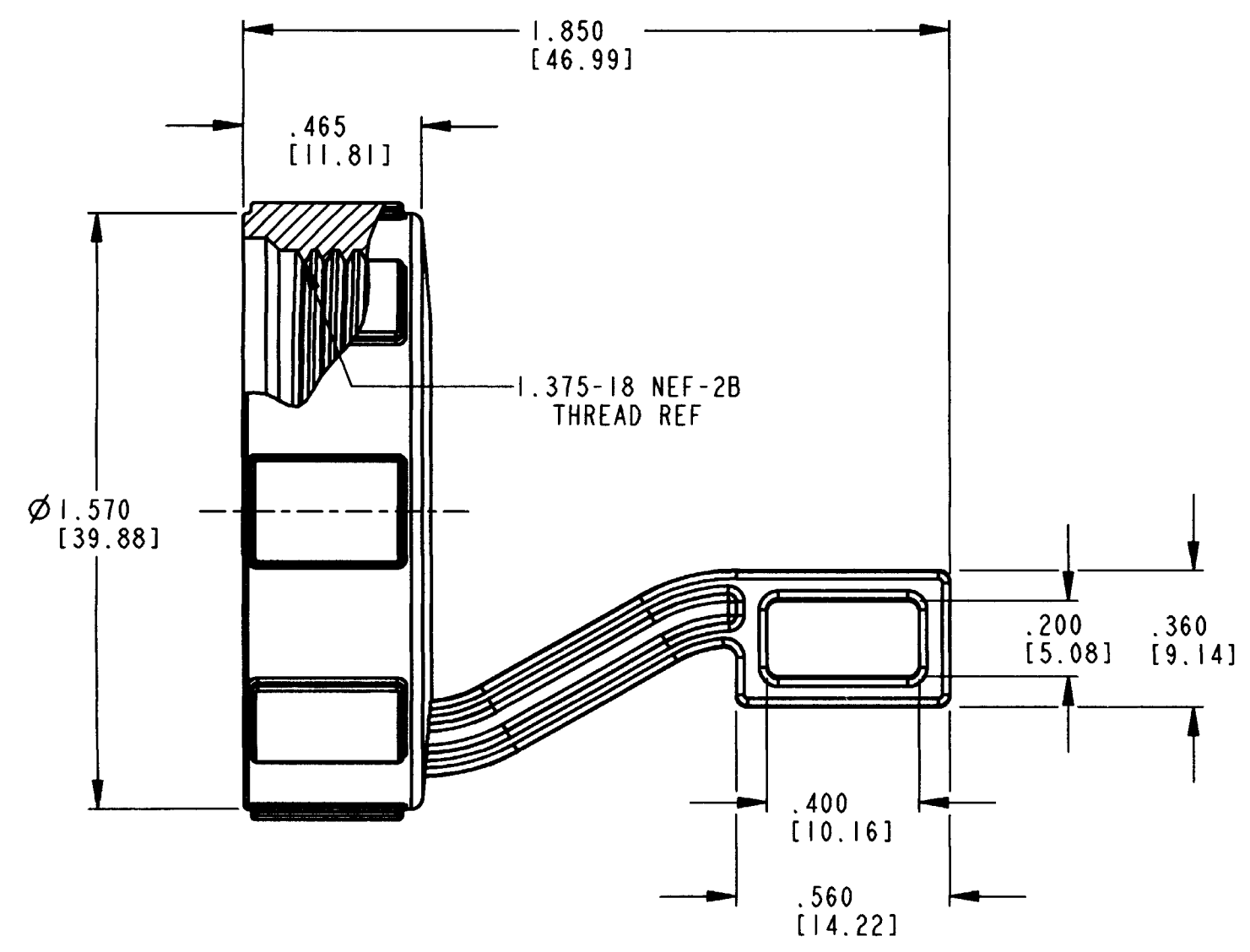


REV
E HD18-009

REVISIONS			
SYM	DESCRIPTION	DATE	APPROVED
D	REVISED AND REDRAWN PER E.O. A13795	04/30/92	J.R.A.
E	REVISED PER E.O. P17063	1/9/01	DM



- NOTES:
1. ALL DIMENSIONS ARE IN INCHES [MILLIMETERS].
 2. ALL DIMENSION TOLERANCES ARE $\pm .025$ [0.63].
 3. MATERIAL: PLASTIC; COLOR: GRAY.
 4. THE FOLLOWING PARTS WILL ACCEPT THIS BACKSHELL:
HD10-4-4P, HD16-4-4S, HD10-9-96P, HD14-9-96P, HD16-9-96S

SIGNATURE & DATE	
DR	J. NORRIS 30APR92
CHK	D Meyer 1/5/01
PE	Spencer 1-4-01
APPD	D Meyer 1/9/01
SCALE	NONE

BACK SHELL
HD10 SERIES
SIZE 9

ENVELOPE

CP	MATL. CODE
The Deutch Company DEUTSCH I.P.D. 3850 INDUSTRIAL AVE. HEMET, CALIF. 92545	
B	HD18-009
DWG SIZE	CODE 11139 SHEET OF

Mouser Electronics

Authorized Distributor

Click to View Pricing, Inventory, Delivery & Lifecycle Information:

[TE Connectivity:](#)

[HD18-009](#)