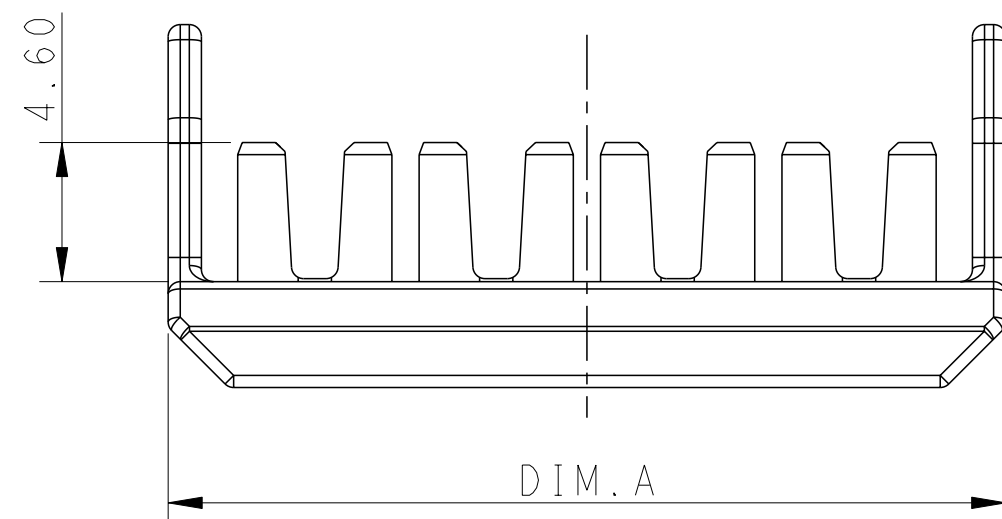
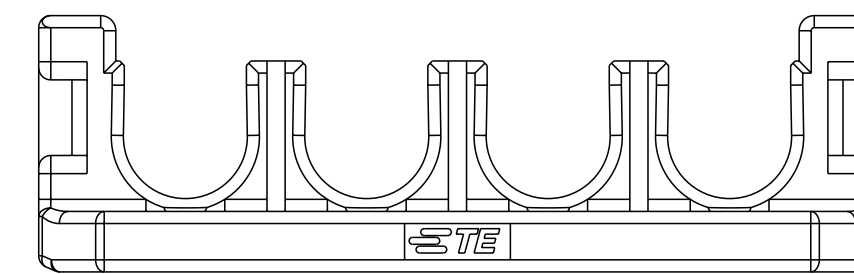
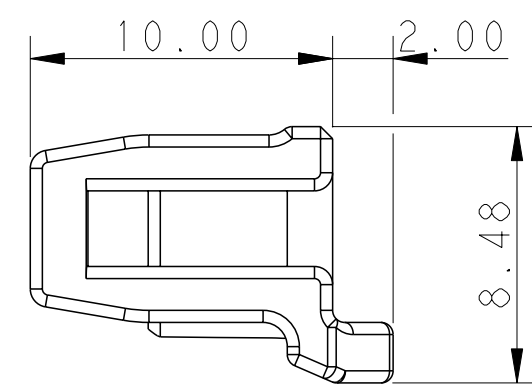
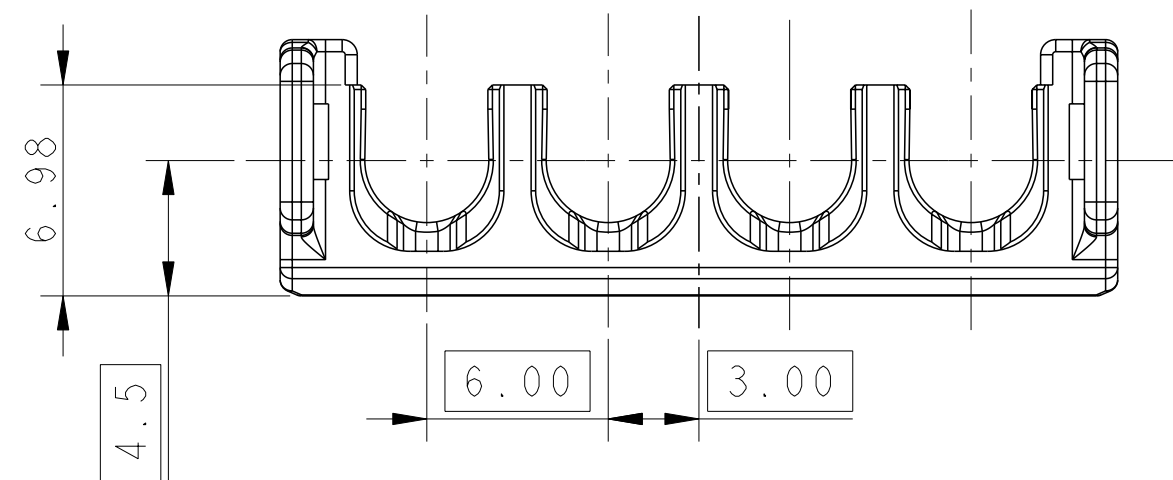
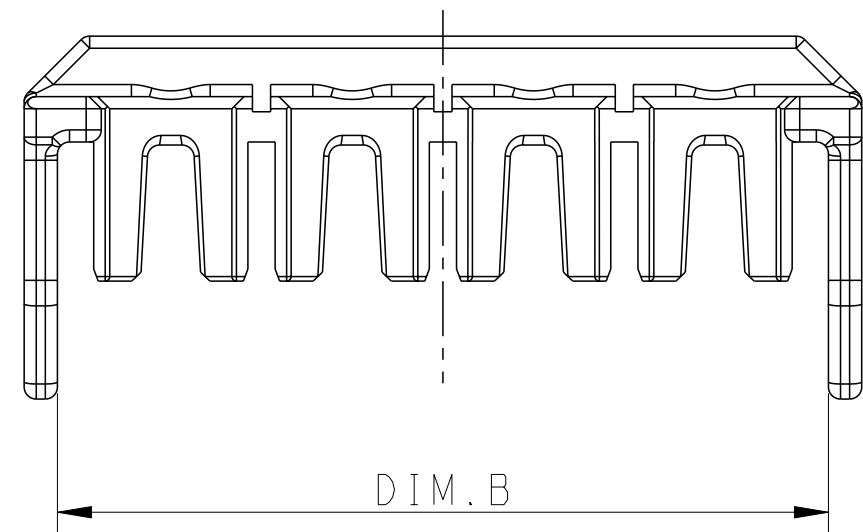


THIS DRAWING IS UNPUBLISHED. RELEASED FOR PUBLICATION 20
 © COPYRIGHT 20 BY - ALL RIGHTS RESERVED.

| LOC | | DIST | | REVISIONS | | | |
|-----|-----|---------------------------|-----------|-----------|------|--|--|
| P | LTR | DESCRIPTION | DATE | DWN | APVD | | |
| B1 | | REVISED PER ECR-18-004190 | 26MAR2018 | BW | GJ | | |
| | | | | | | | |
| | | | | | | | |



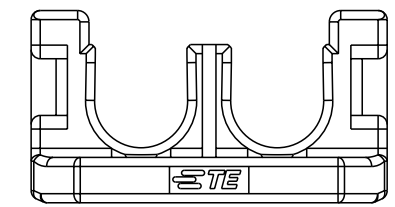
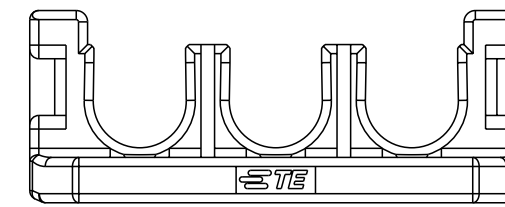
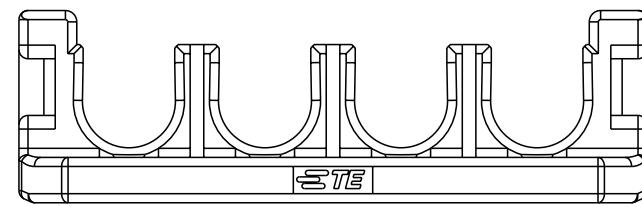
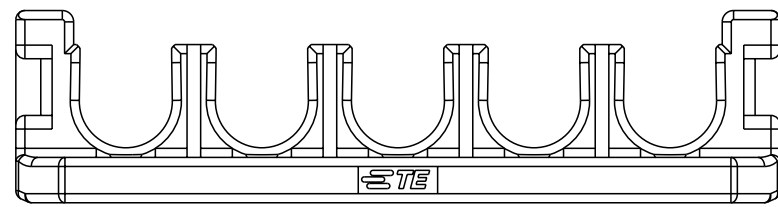
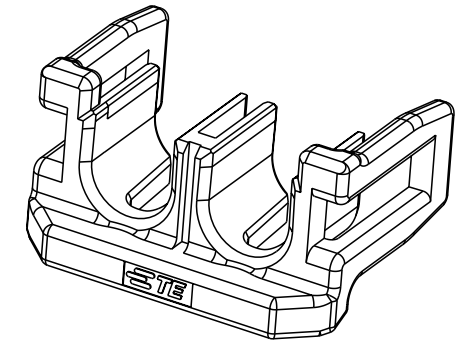
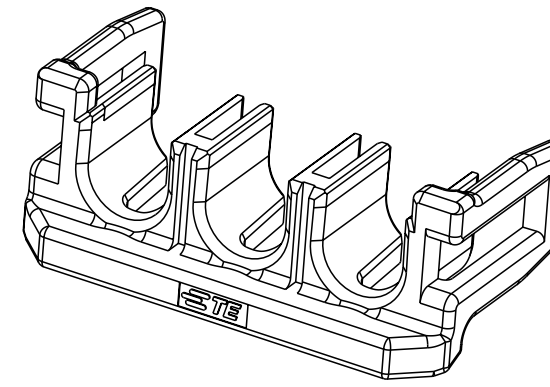
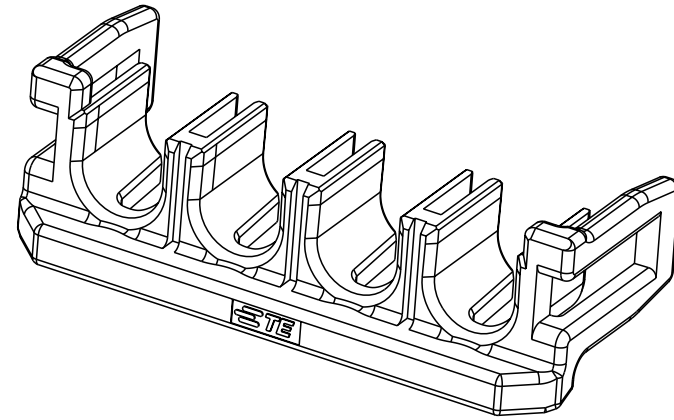
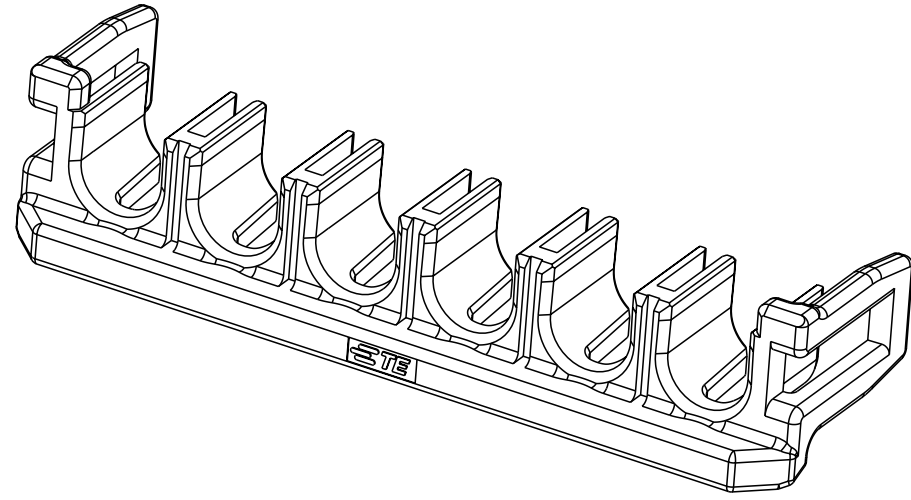
- NOTE
- 1 HIGH TEMP VERSIONS ARE RATED 150°C MAX AND ARE RECOMMENDED FOR USE WITH STANDARE TEMP, HIGH TEMP AND GLOW WIRE RATED HOUSINGS.
 - 2 HOT WIRE IGNITION(HWI) VERSIONS ARE MOLDED IN A RESIN THAT COMPLIES WITH TE HOT WIRE IGNITION TEST 109-32026 AND ARE RECOMMENDED FOR USE WITH HWI HOUSINGS THAT ALSO COMPLY.
 - 3. MATING CONN, P/N
 CAP HSG: *-1971*7*-*/*-22322***-*/*-22323***-
 PLUG HSG: *-1971*7*-*/*-22322***-*/*-22323***-*
 - 4. PRODUCT SPEC: 108-106118
 - 5. APPLICATION SPEC: 114-106118
 - 6. FLAMMABILITY RATING: UL94V-0
 - 7 THIS PRODUCT HAS NOT PASSED VALIDATION TESTING

| POS. | DIM.A | DIM.B |
|------|-------|-------|
| 1*5 | 33.70 | 31.5 |
| 1*4 | 27.70 | 25.5 |
| 1*3 | 21.70 | 19.5 |
| 1*2 | 15.70 | 13.5 |

| | | | | |
|--|--|-----------------------------|--|--|
| THIS DRAWING IS A CONTROLLED DOCUMENT. | | DWN TOMMY WU 09JUL2012 | STE TE Connectivity | |
| DIMENSIONS: mm | | CHK HAPYE WU 09JUL2012 | | |
| TOLERANCES UNLESS OTHERWISE SPECIFIED: | | APVD YUHONG MAO 09JUL2012 | NAME DOUBLE LOCK PLATE, SINGLE ROW POWER TRIPLE LOCK | |
| 0 PLC ± | | PRODUCT SPEC 108-106118 | SIZE CAGE CODE DRAWING NO RESTRICTED TO | |
| 1 PLC ±0.35 | | APPLICATION SPEC 114-106118 | A200779C-1971777 | |
| 2 PLC ±0.25 | | WEIGHT - | SCALE - SHEET 1 OF 2 REV B1 | |
| 3 PLC ± | | MATERIAL SEE TABLE | | |
| 4 PLC ± | | | | |
| ANGLES ± | | | | |
| FINISH | | | | |

THIS DRAWING IS UNPUBLISHED. RELEASED FOR PUBLICATION 20
 © COPYRIGHT 20 BY - ALL RIGHTS RESERVED.

| LOC | | DIST | | REVISIONS | | | |
|-----|-----|-------------|------|-----------|------|--|--|
| P | LTR | DESCRIPTION | DATE | DWN | APVD | | |
| - | - | SEE SHEET 1 | - | - | - | | |
| | | | | | | | |
| | | | | | | | |



1*5 POSITIONS

1*4 POSITIONS

1*3 POSITIONS

1*2 POSITIONS

| | | | | | |
|---------|----------|-----------|----|-----------|-------------|
| BLACK | PBT GF | HWI | △2 | 1*2 | 3-1971777-2 |
| NATURAL | PBT GF | HWI | △2 | 1*5 | 2-1971777-5 |
| NATURAL | PBT GF | HWI | △2 | 1*4 | 2-1971777-4 |
| NATURAL | PBT GF | HWI | △2 | 1*3 | 2-1971777-3 |
| NATURAL | PBT GF | HWI | △2 | 1*2 | 2-1971777-2 |
| BLACK | NYLON | HIGH TEMP | △1 | 1*5 | 1971777-5 |
| BLACK | NYLON | HIGH TEMP | △1 | 1*4 | 1971777-4 |
| BLACK | NYLON | HIGH TEMP | △1 | 1*3 | 1971777-3 |
| BLACK | NYLON | HIGH TEMP | △1 | 1*2 | 1971777-2 |
| COLOR | MATERIAL | TYPE | △1 | POSITIONS | P/N |

THIS DRAWING IS A CONTROLLED DOCUMENT.

| | | | | |
|--------------|------------|-----------|---------------------|---|
| DWN | TOMMY WU | 09JUL2012 | TE Connectivity | NAME DOUBLE LOCK PLATE, SINGLE ROW POWER TRIPLE LOCK |
| CHK | HAPYE WU | 09JUL2012 | | |
| APVD | YUHONG MAO | 09JUL2012 | | |
| PRODUCT SPEC | 108-106118 | | | |
| MATERIAL | SEE TABLE | | SIZE | A2 |
| | | | CAGE CODE | 00779 |
| | | | DRAWING NO | G-1971777 |
| | | | RESTRICTED TO | - |
| | | | SCALE | - |
| | | | SHEET | 2 OF 2 |
| | | | REV | B1 |

Customer Drawing

Mouser Electronics

Authorized Distributor

Click to View Pricing, Inventory, Delivery & Lifecycle Information:

[TE Connectivity:](#)

[2-1971777-2](#)