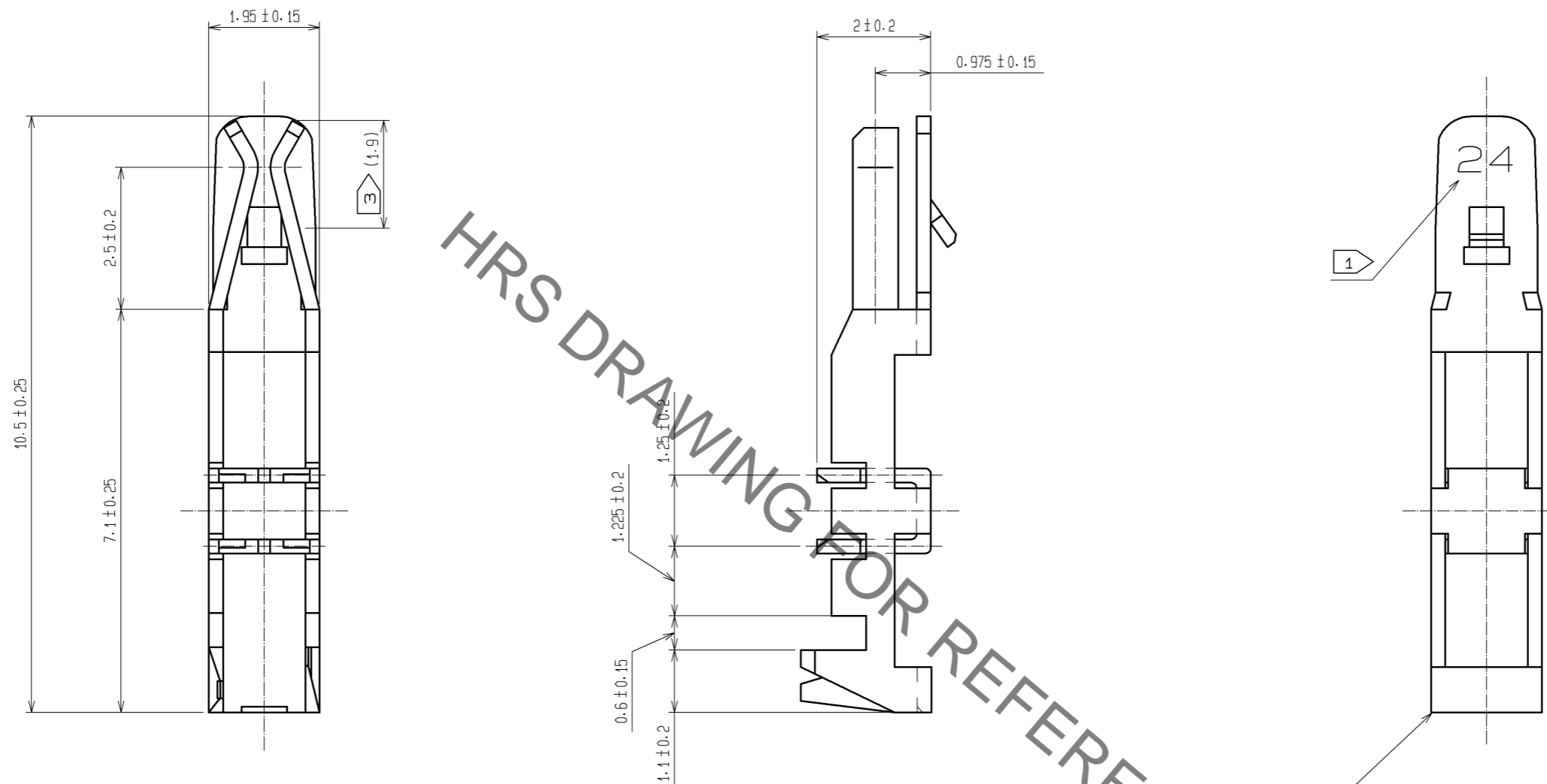


Apr.1.2020 Copyright 2020 HIROSE ELECTRIC CO., LTD. All Rights Reserved.
 In case of consideration for using Automotive equipment / device which demand high reliability, kindly contact our sales window correspondents.



HRS DRAWING FOR REFERENCE

HRS No.	PART NO.	1 STAMPED CHARACTER	2 APPLICABLE CABLE
CL541-0266-4-06	DF1B-R28A(06)	28	UL1007 AWG28

- NOTES
- 1 INDICATE APPLICABLE CABLE AWG No.
 - 2 JACKET DIAMETER $\phi 0.9$ to $\phi 1.39$.
 - 3 RANGE OF GOLD PLATED.
 - 4. 1PACK:100 CONNECTORS.

1	PHOSPHOR BRONZE	CONTACT AREA:GOLD PLATED 0.2 μ m min OTHER AREA:TIN PLATED 2.0 μ m min UNDER PLATING:NICKEL PLATED 1.0 μ m min
---	-----------------	--

NO.	MATERIAL	FINISH . REMARKS	NO.	MATERIAL	FINISH . REMARKS	
UNITS mm		SCALE 10:1	COUNT \triangle	DESIGNED	CHECKED	DATE
HRS HIROSE ELECTRIC CO., LTD.		APPROVED : KI. AKIYAMA	12.10.22	DRAWING NO.		EDC3-020660-01
		CHECKED : HK. UMEHARA	12.10.22	PART NO.		DF1B-R28A(06)
		DESIGNED : KY. SHIMAKURA	12.10.22	CODE NO.		CL541-0266-4-06
		DRAWN : MI. SAKIMURA	12.10.19			\triangle 1/1