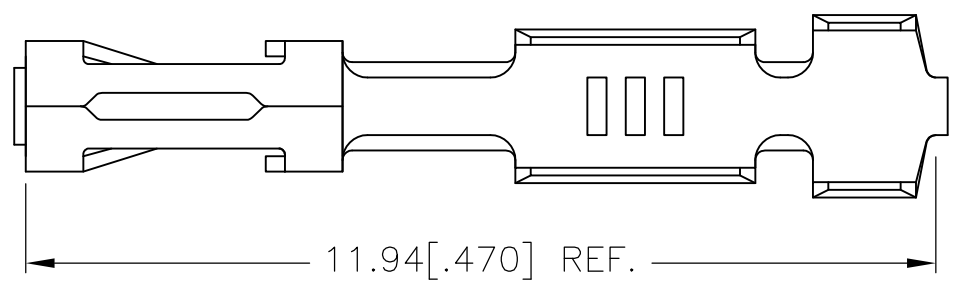
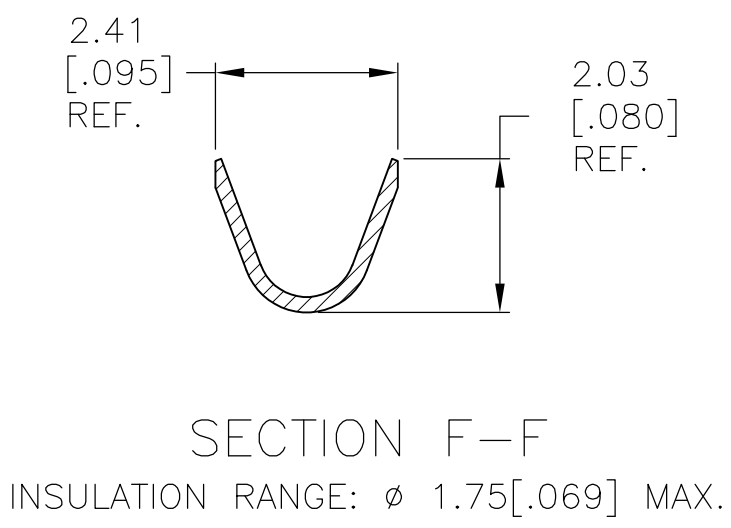
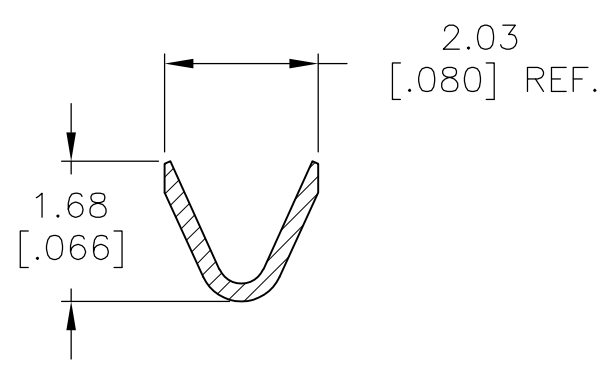
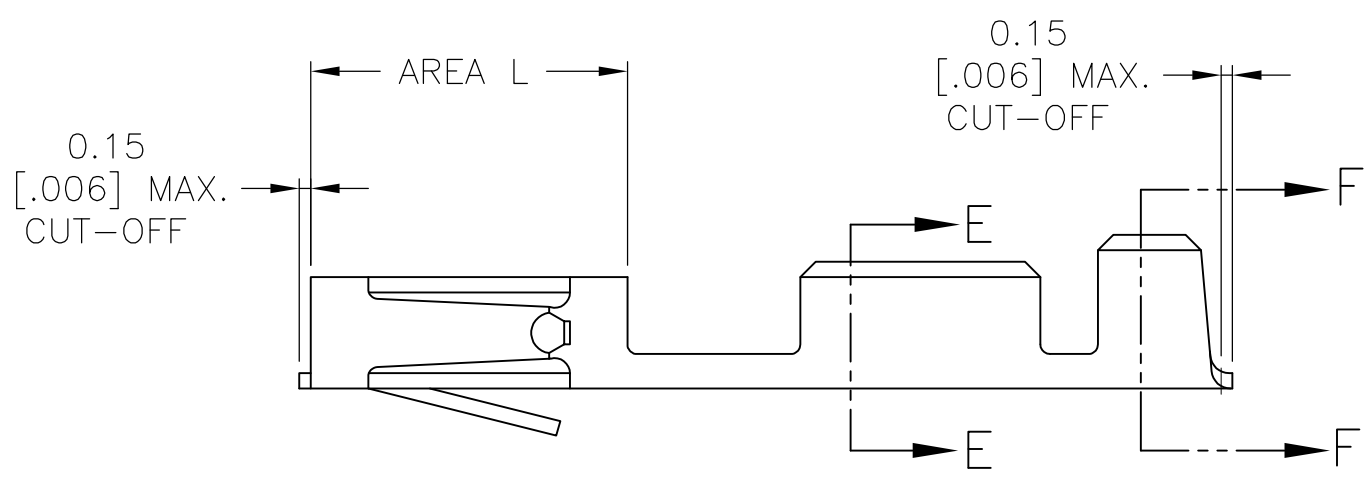


THIS DRAWING IS UNPUBLISHED. RELEASED FOR PUBLICATION
 © COPYRIGHT - By - ALL RIGHTS RESERVED.

LOC	DIST	REVISIONS					
AD	39	P	LTR	DESCRIPTION	DATE	DWN	APVD
			E	REVISED PER ECO-15-004633	30MAY2015	NK	JO



- 1 GOLD FLASH OVER NICKEL, 0.00038 [.000015] GOLD IN CONTACT AREAS.
- 2 0.00076 [.000030] GOLD OVER 0.00127 [.000050] NICKEL.
- 3 GOLD FLASH OVER NICKEL, 0.00076 [.000030] GOLD IN CONTACT AREA.
- 4 PREPLATED:(HALT) 0.00198 [.000078]-0.00401 [.000158] BRIGHT TIN.
- 5 GOLD FLASH OVER ENTIRE RECPT BOX (AREA L), 0.00076 [.000030] GOLD ON CONTACT AREA, ALL OVER 0.00127 [.000050] NICKEL ENTIRE CONTACT.
- 6 GOLD FLASH OVER ENTIRE CONTACT, 0.00127 [.000050] GOLD ON CONTACT AREA, ALL OVER 0.00127 [.000050] NICKEL.



OBSOLETE	6	87046-6
	5	87046-5
	4	87046-4
	3	87046-3
	2	87046-2
	1	87046-1
	FINISH REF	PART NUMBER

SECTION E-E
 WIRE RANGE : #20 - #24

THIS DRAWING IS A CONTROLLED DOCUMENT.		DWN E. BRANDBERG 18-JAN-96	STE TE Connectivity		
DIMENSIONS: mm [INCHES]		CHK S. SHUEY 18-JAN-96			
TOLERANCES UNLESS OTHERWISE SPECIFIED:		APVD D. TROUT 18-JAN-96	NAME CONTACT, MOD IV-1/2, CRIMP SNAP-IN, LOOSE PIECE		
0 PLC ± -		PRODUCT SPEC 108-25021	SIZE A3		
1 PLC ± -		APPLICATION SPEC 114-25003	CAGE CODE 00779	DRAWING NO C-87046	RESTRICTED TO -
2 PLC ± -		WEIGHT -	SCALE 10:1		
3 PLC ± -		MATERIAL CU-NI-SI	SHEET 1 OF 1		
4 PLC ± -			REV E		
ANGLES ± -		CUSTOMER DRAWING			
FINISH SEE TABLE					

Mouser Electronics

Authorized Distributor

Click to View Pricing, Inventory, Delivery & Lifecycle Information:

[TE Connectivity:](#)

[87046-2](#)