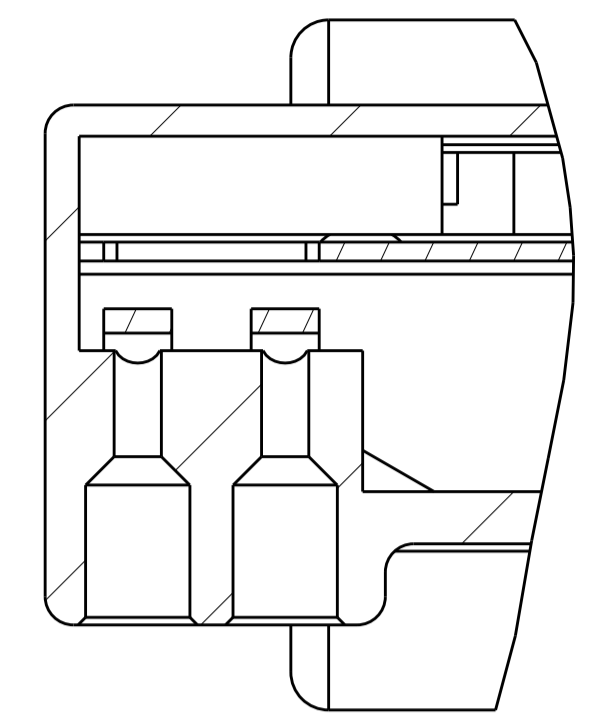


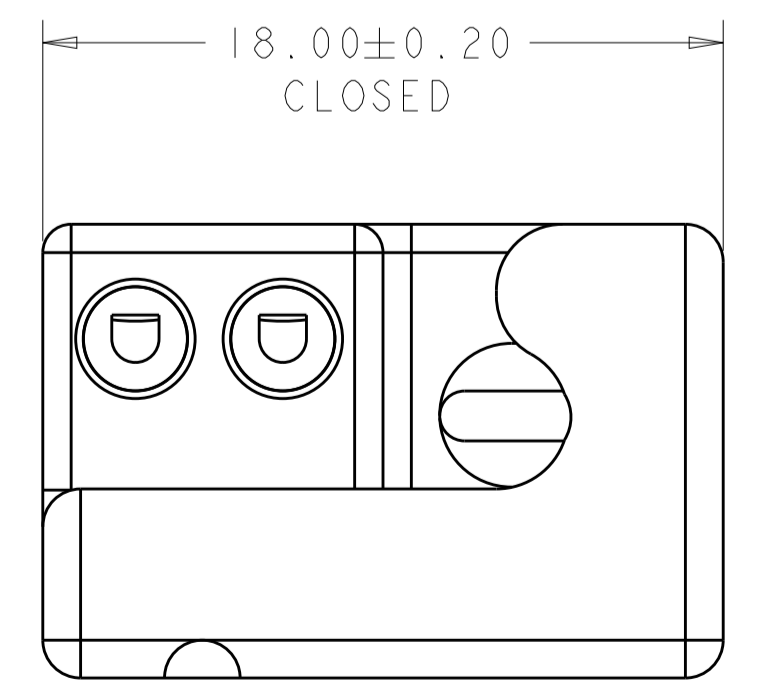
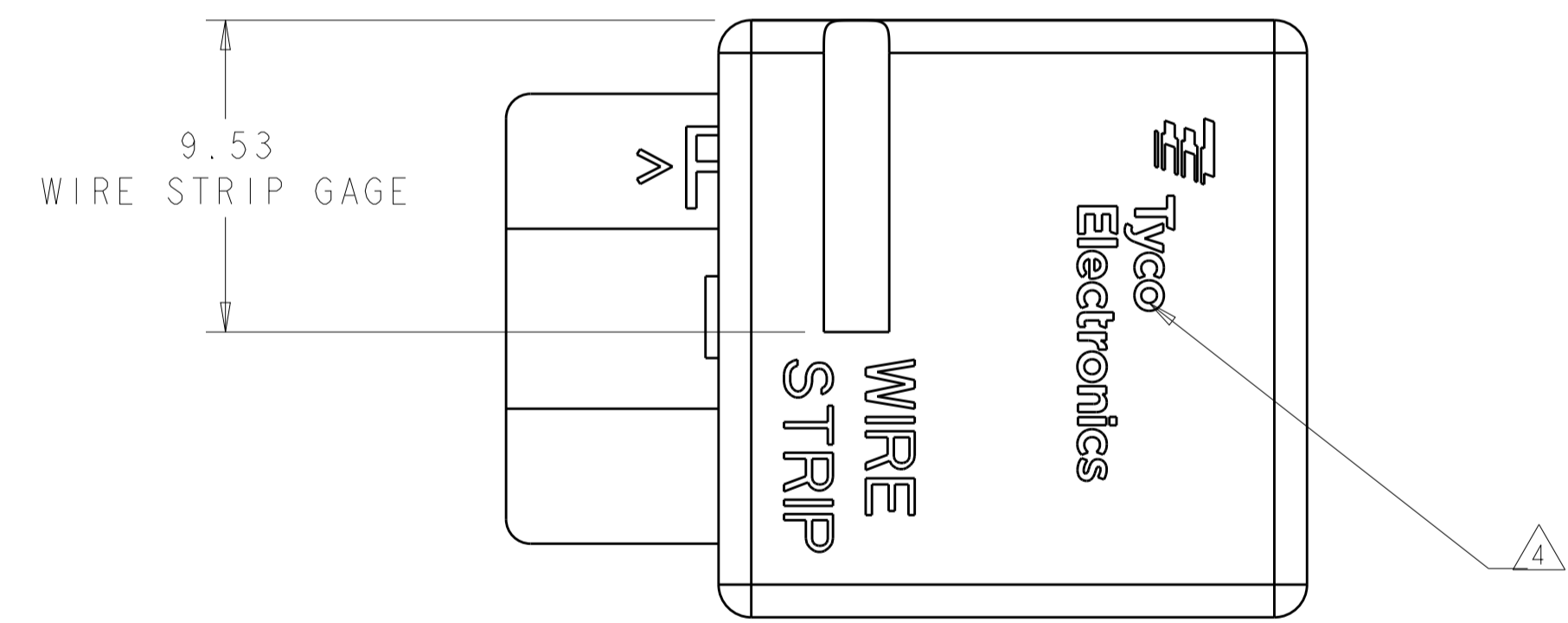
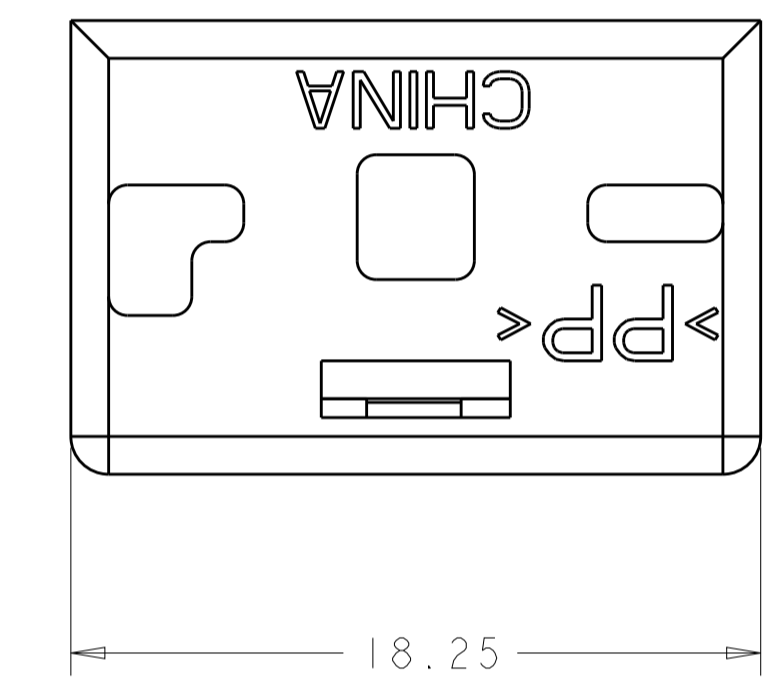
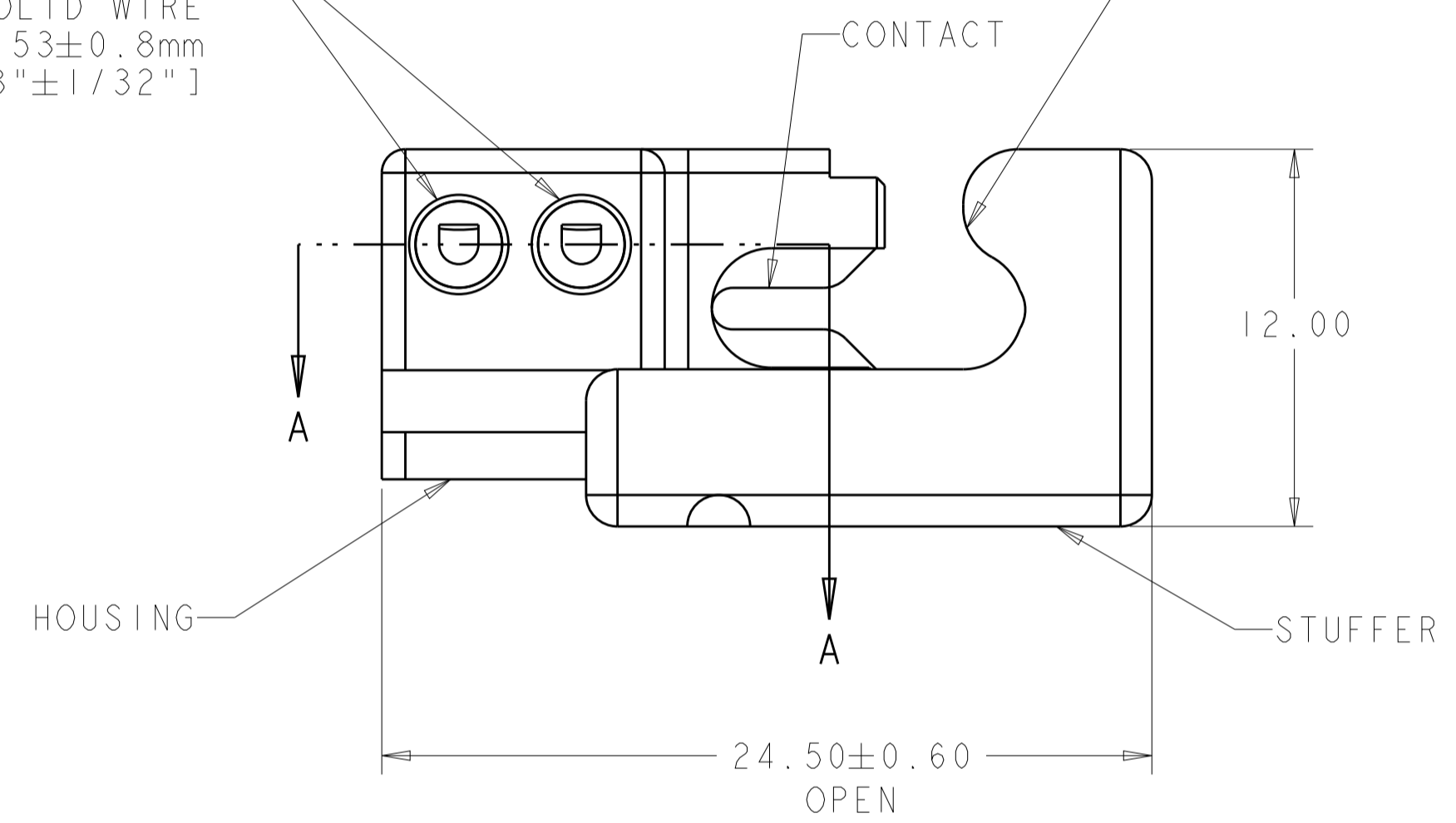
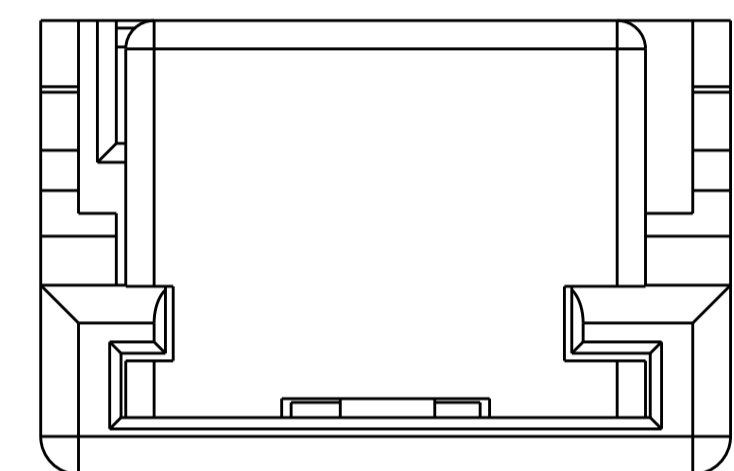
REVISONS		DATE	OWN	APVD
P	LTN	DESCRIPTION		
B2		REVISED PER ECO-17-012433	24AUG2017	SK DD



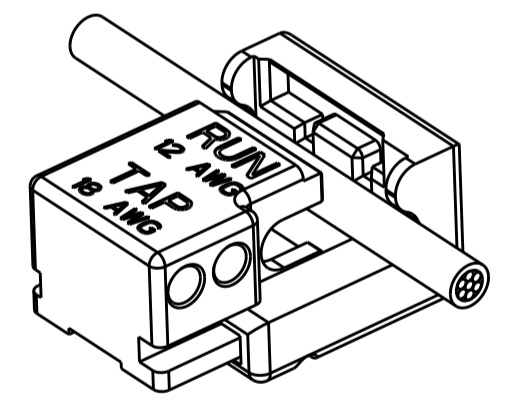
SECTION A-A

POKE-IN CAVITIES
 ACCEPTS 18 AWG PRE-STRIPPED
 SOLID WIRE
 STRIP LENGTHS: 9.53±0.8mm
 [3/8"±1/32"]

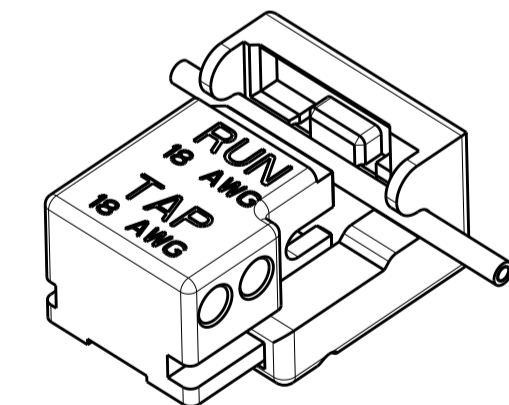
IDC AREA
 1811027-1 ACCEPTS 12 AWG SOLID OR STRANDED (19 STRANDS MAX), THHN WIRE
 1811027-2 ACCEPTS 18 AWG SOLID TFN/TEWN WIRE
 CONTINUOUS (FEEDTHRU) WIRE



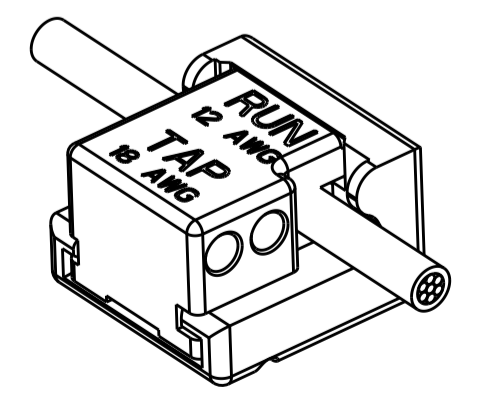
TERMINATED DETAIL



SCALE 2:1

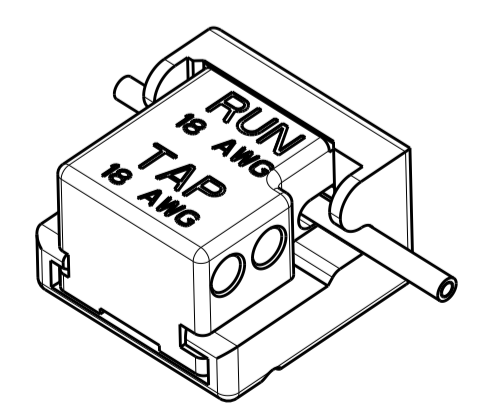


SCALE 2:1



SCALE 2:1

1811027-1



SCALE 2:1

1811027-2

- △ MATERIAL:
 HOUSING: THERMOPLASTIC, COLOR: SEE TABLE
 STUFFER: THERMOPLASTIC, COLOR: SEE TABLE
 CONTACT: COPPER ALLOY, 0.50 THICK
- △ FINISH:
 CONTACT: TIN PLATE
- 3. PRODUCT SPECIFICATION: 108-2219
 APPLICATION SPECIFICATION: 114-13151
- △ THE LOGO MAY BE JUST "TYCO" UNTIL COMPONENTS
 ARE CONVERTED.

GRAY	14 AWG	1811027-3
BLUE	18 AWG	1811027-2
BROWN	12 AWG	1811027-1
CONNECTOR COLOR	FEED THRU WIRE SIZE	PART NUMBER

THIS DRAWING IS A CONTROLLED DOCUMENT.		OWN: D. FABIAN 28-Oct-04	TE Connectivity	
DIMENSIONS:		CHK: J. ALLISON 16-Nov-07		
mm	0 PLC ±	APVD: J. ALLISON 16-Nov-07	NAME: ASSEMBLY, WIRE SPLICE	
	1 PLC ±0.13	PRODUCT SPEC: 108-2219	IDC / POKE-IN	
	2 PLC ±0.013	APPLICATION SPEC: 114-13151	SIZE: CAGE CODE DRAWING NO: A100779C=1811027	
	3 PLC ±	ANGLES ±1	RESTRICTED TO: -	
MATERIAL: △	FINISH: △	WEIGHT: -	SCALE: 5:1 SHEET 1 OF 1 REV: B2	
CUSTOMER DRAWING				

Mouser Electronics

Authorized Distributor

Click to View Pricing, Inventory, Delivery & Lifecycle Information:

[TE Connectivity:](#)

[1811027-1](#)