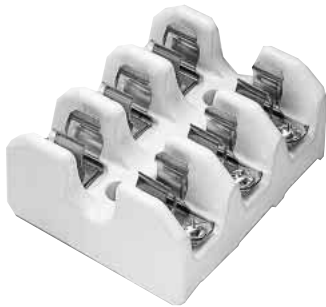


# Supplementary Fuseblocks

For  $\frac{9}{16}$ " x 2" Semiconductor Fuses  
700 Volt AC, 0 to 30 Amps

1976

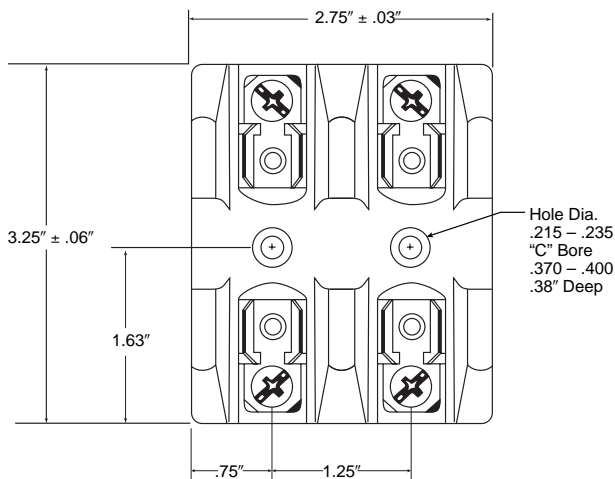
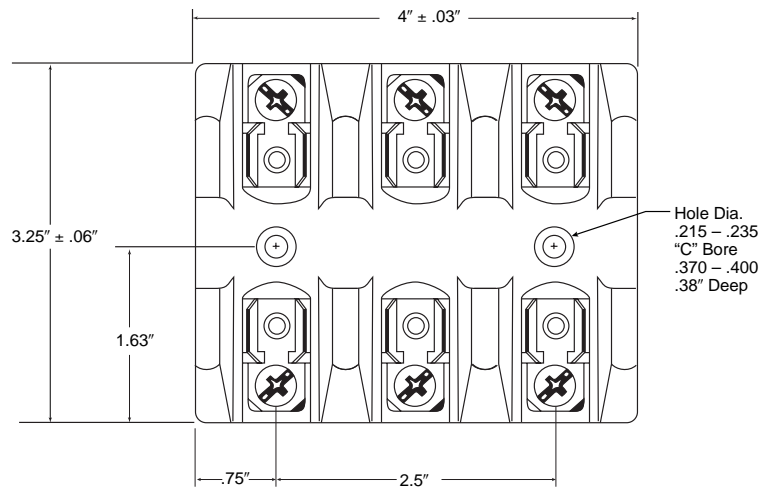
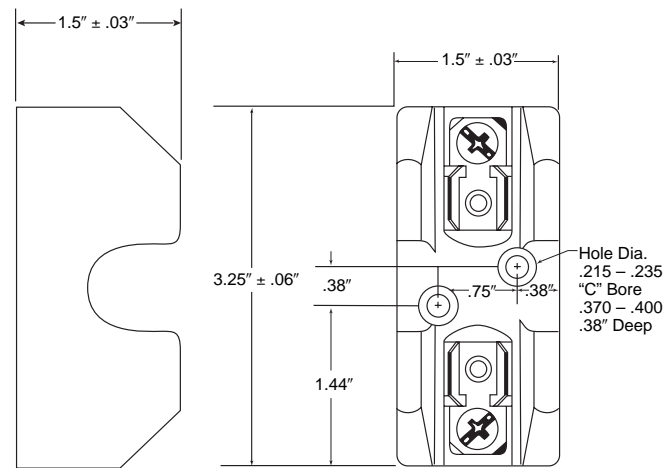


Catalog Symbol: 1976  
 Ampere Rating: 0 to 30 Amperes  
 Voltage Rating: 700 Volts AC  
 For use with Bussmann Semiconductor Fuses:  
 FWX-\_A14F, FWH-\_A14F, FWP-\_A14F  
 Material: Ceramic  
 Agency Approval:  
 U.L. Recognized, Guide IZLT2, File E14853  
 Temperature Rating:  
 Clips: 180°C

Catalog Data

1 pole	1976-1
2 pole	1976-2
3 pole	1976-3

Dimensional Data



CE CE logo denotes compliance with European Union Low Voltage Directive (50-1000 Vac, 75-1500 Vdc). Refer to BIF document #8002 or contact Bussmann Application Engineering at 314-527-1270 for more information.

The only controlled copy of this BIF document is the electronic read-only version located on the Bussmann Network Drive. All other copies of this document are by definition uncontrolled. This bulletin is intended to clearly present comprehensive product data and provide technical information that will help the end user with design applications. Bussmann reserves the right, without notice, to change design or construction of any products and to discontinue or limit distribution of any products. Bussmann also reserves the right to change or update, without notice, any technical information contained in this bulletin. Once a product has been selected, it should be tested by the user in all possible applications.

# Mouser Electronics

Authorized Distributor

Click to View Pricing, Inventory, Delivery & Lifecycle Information:

[Eaton:](#)

[1976-1](#) [1976-3](#) [1976-2](#)