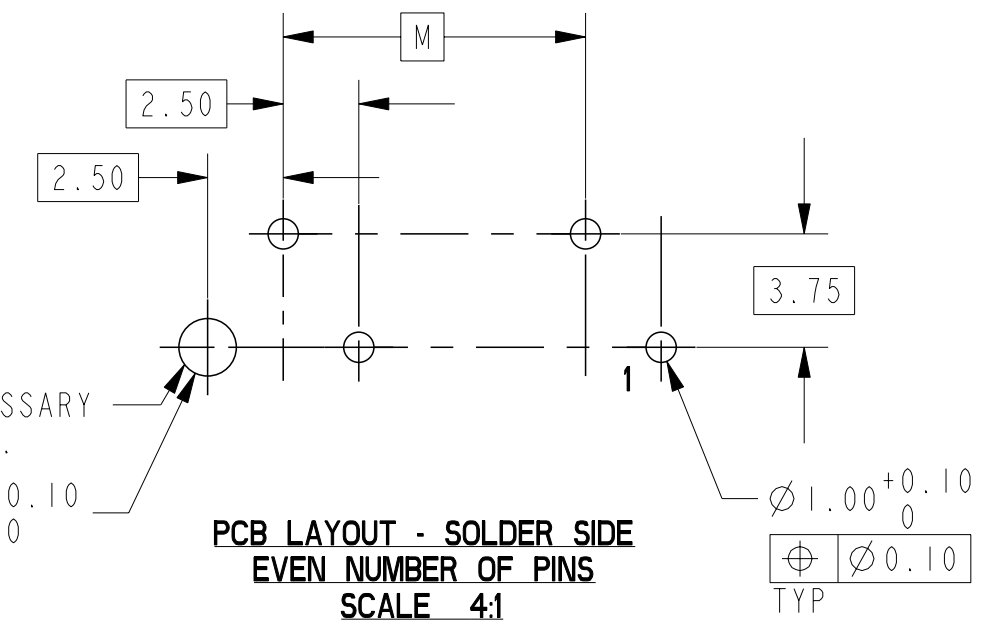
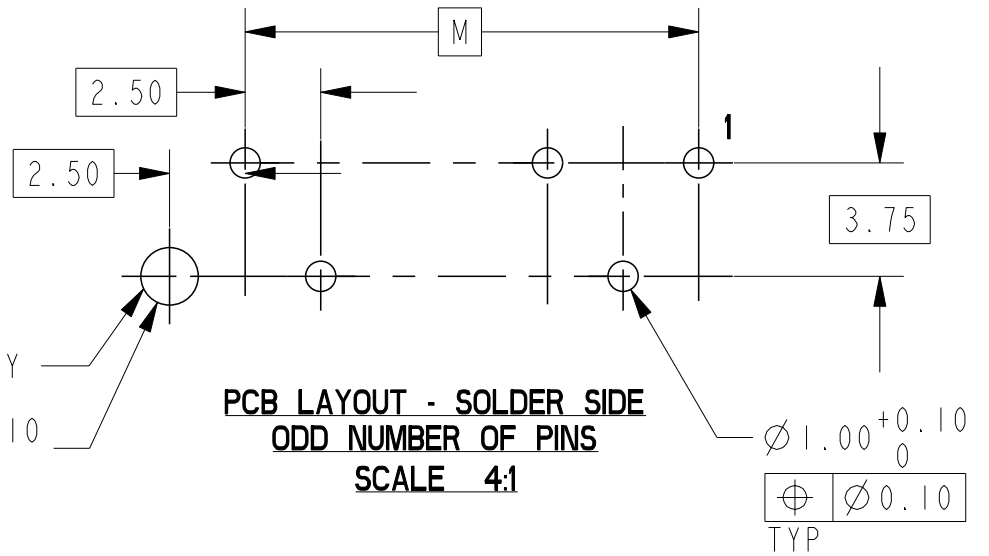
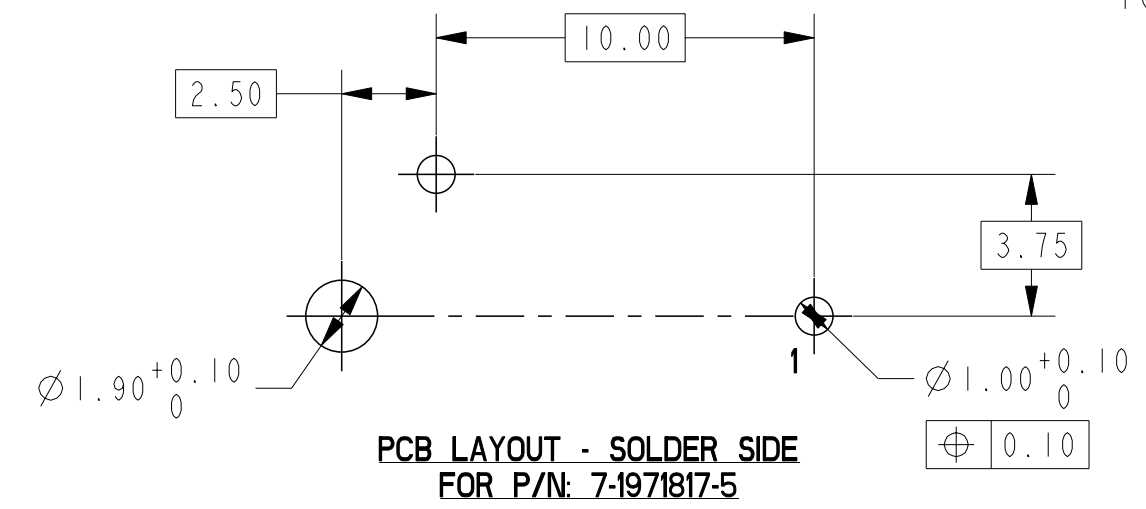
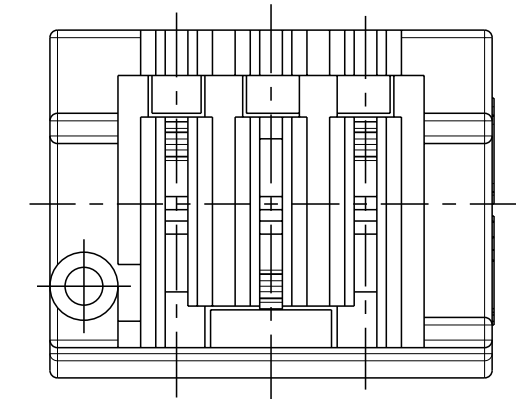
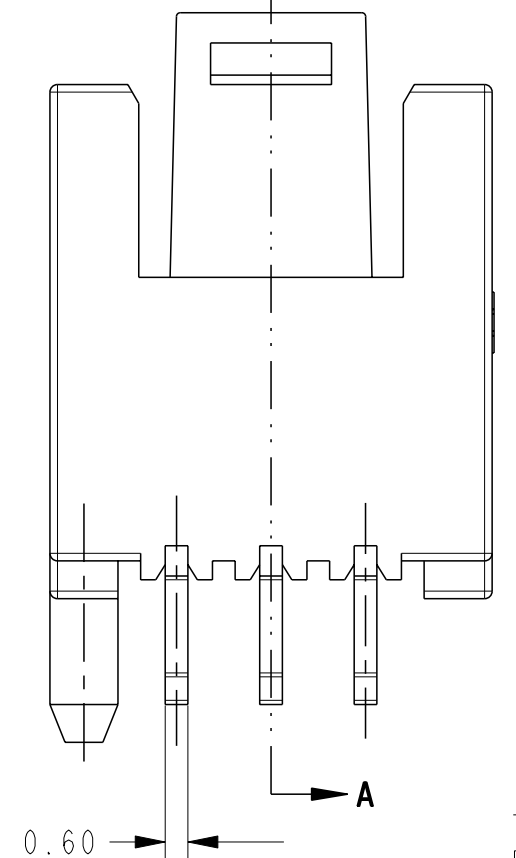
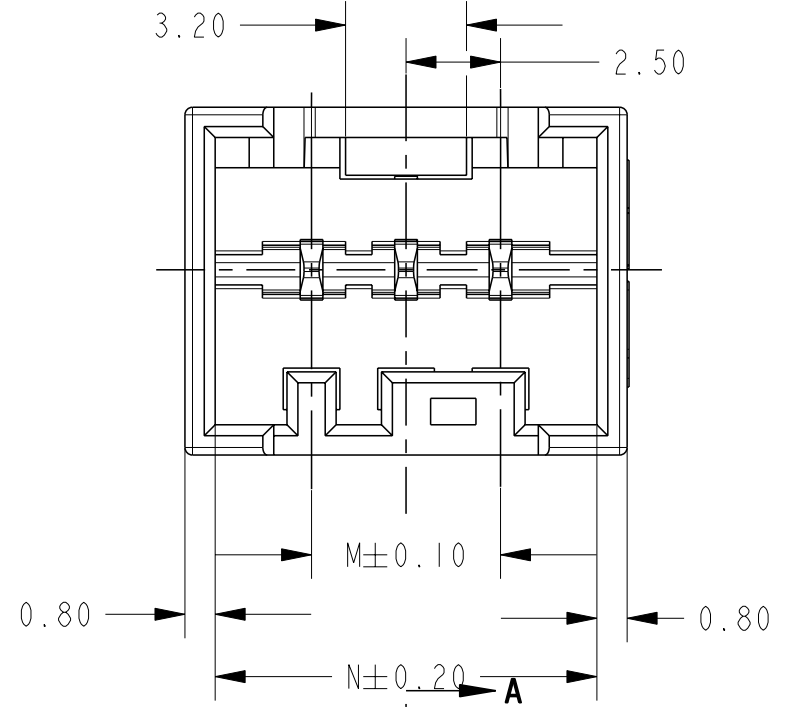
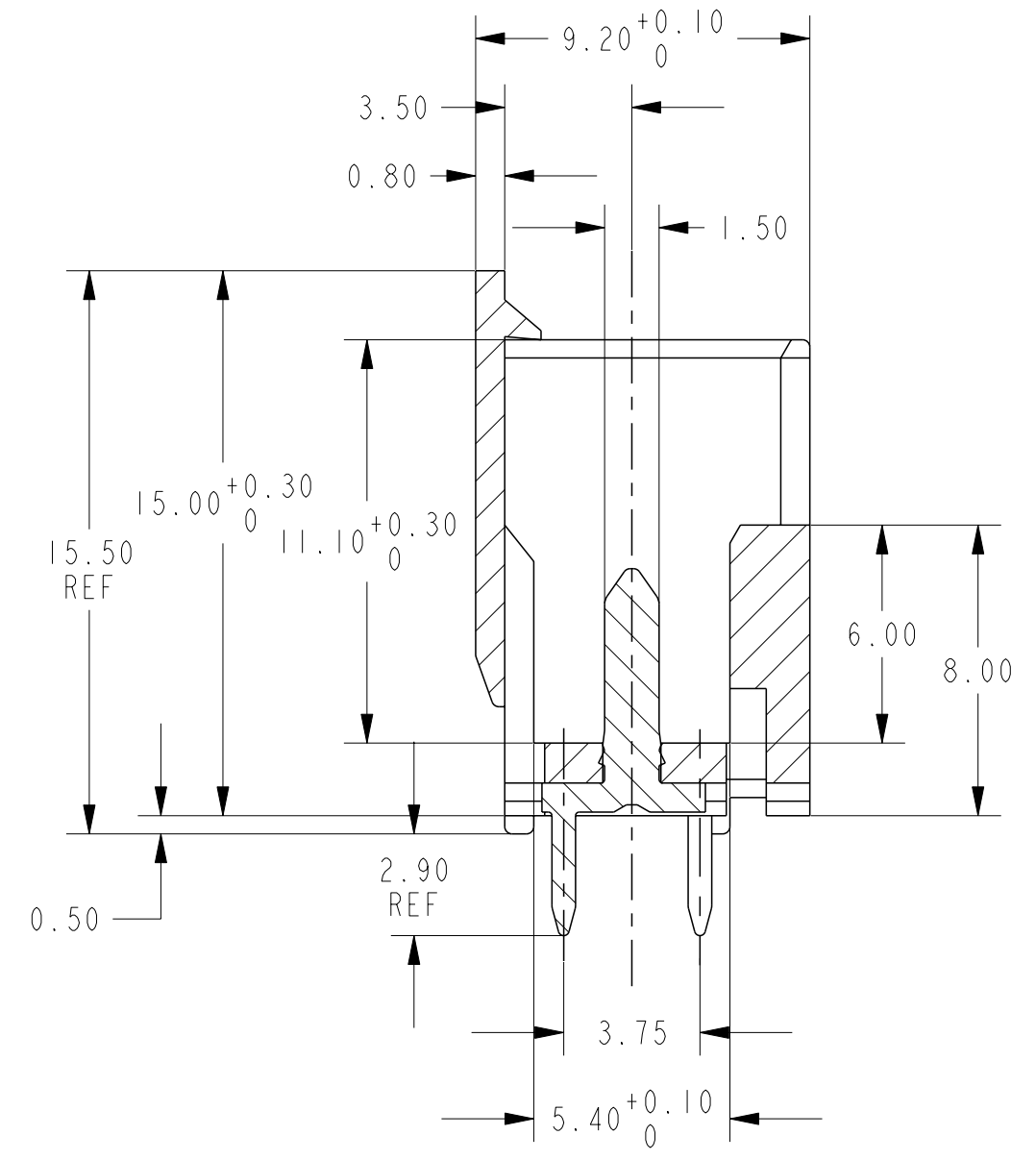
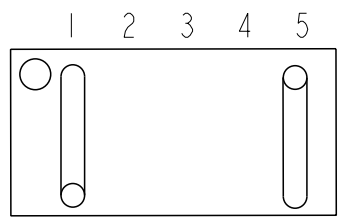


THIS DRAWING IS UNPUBLISHED. RELEASED FOR PUBLICATION 20
 © COPYRIGHT 20 BY - ALL RIGHTS RESERVED.

LOC		DIST		REVISIONS			
P	LTR	DESCRIPTION	DATE	DWN	APVD		
A10	ECR-18-007702		27MAY2018	WW	FL		
A11	ECR-19-000989		21JAN2019	WW	FL		

NOTE

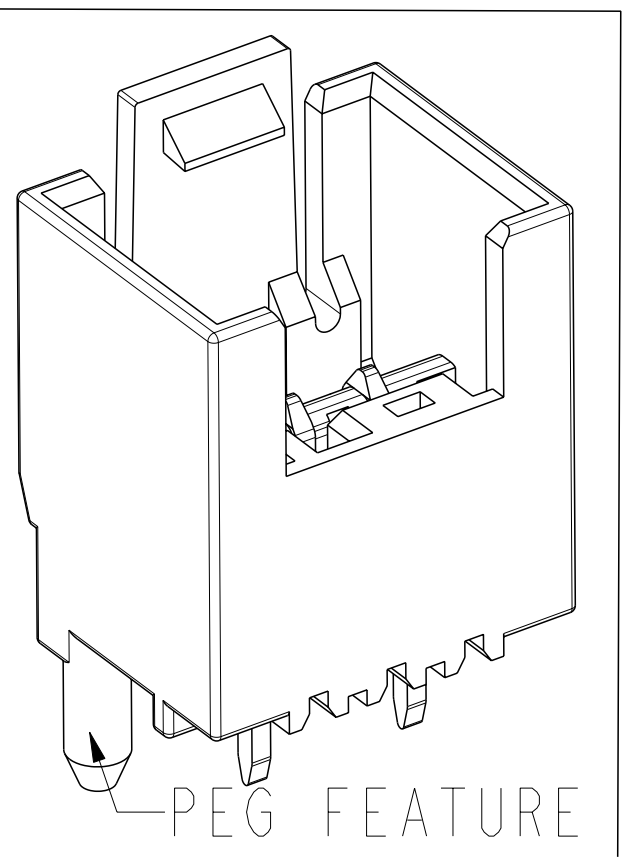
- SEE SHEET 4 FOR AVAILABLE CONFIGURATIONS
- MATERIAL: HOUSING, NYLON, UL94 V0, 750°C GWT NO FLAME
EIGHT COLORS AVAILABLE, INCLUDING: NATURAL, RED, BLUE, YELLOW, BLACK, GREY, GREEN, PURPLE
WHITE VERSION IS PRELIMINARY
CONTACT, COPPER ALLOY, 0.60MM THICK
- FINISH: OPTION 1: TIN PLATING OVER NICKEL UNDERPLATING
OPTION 2: AG PLATING OVER NICKEL UNDERPLATING
- PCB LAYOUT AS SHOWN
- THE PART NUMBERS SHOWING IN SHEET 2 & 3 & 4 ARE FOR NATURAL COLOR. THE PART NUMBER FOR OTHER COLOR ARE BASED ON THE NATURAL ONE: FOR THE SAME CONFIGURATION, THE PREFIX AND POSTFIX OF THE P/N ARE THE SAME, ONLY THE BASE NUMBER IS DIFFERENT ACCORDING TO DIFFERENT COLOR, DETAIL PLEASE SEE SHEET 5
- PACKAGING: LOOSE PIECE OR TUBE. THE PART NUMBERS IN THIS DRAWING ARE WITH LOOSE PIECE PACKAGING EXCEPT THE PN 1-2322471-3. PLEASE CONTACT TE SALES REPRESENTATIVES FOR TUBE PACKAGING REQUIREMENT.
- FOR PN 7-1971817-5 PIN LAYOUT AS FOLLOW
- PRELIMINARY PART NOT RELEASED FOR PRODUCTION
- SPECIAL VERSION WITHOUT PEG FEATURE.



THIS HOLE IS NOT NECESSARY FOR PRODUCT OF NOTE 9.

THIS HOLE IS NOT NECESSARY FOR PRODUCT OF NOTE 9.

40.10	35.00	15
37.60	32.50	14
35.10	30.00	13
32.60	27.50	12
30.10	25.00	11
27.60	22.50	10
25.10	20.00	9
22.60	17.50	8
20.10	15.00	7
17.60	12.50	6
15.10	10.00	5
12.60	7.50	4
10.10	5.00	3
N	M	NO. OF POS.



THIS DRAWING IS A CONTROLLED DOCUMENT.

DIMENSIONS: mm	TOLERANCES UNLESS OTHERWISE SPECIFIED: 0 PLC ± 1 PLC ± 2 PLC ±0.20 3 PLC ± 4 PLC ± ANGLES ±1° FINISH	DWN: WINTER WANG 12NOV2012 CHK: HAPYE WU 12NOV2012 APVD: YUHONG MAO 12NOV2012	NAME: RAST 2.5 TAB HEADER ASSY TH, VERTICAL, EXTERNAL LOCKING
MATERIAL: -	PRODUCT SPEC: 108-106079	APPLICATION SPEC: -	SIZE: A2 CAGE CODE: 00779 DRAWING NO: C-1971817
	WEIGHT: -	CUSTOMER DRAWING	RESTRICTED TO: -

SCALE: 5:1 SHEET 1 OF 5 REV: All

THIS DRAWING IS UNPUBLISHED. RELEASED FOR PUBLICATION 20
 © COPYRIGHT 20 BY - ALL RIGHTS RESERVED.

LOC		DIST		REVISIONS			
ES	00	P	LTR	DESCRIPTION	DATE	DWN	APVD

10	TAB CONTACT w/ SILVER PLATING	1	RAST 2.5 TAB HEADER HOUSING, EXTERNAL LOCKING, 10P (SEE THE DETAIL LAYOUT ON SHEET 4)	10	3-1971837-0 2-1971837-0 1-1971837-0
9		1	RAST 2.5 TAB HEADER HOUSING, EXTERNAL LOCKING, 9P (SEE THE DETAIL LAYOUT ON SHEET 4)	9	7-1971837-9 6-1971837-9 5-1971837-9
6					4-1971837-9 3-1971837-9 2-1971837-9 1-1971837-9
9					5-1971837-8 4-1971837-8 3-1971837-8 2-1971837-8 1-1971837-8
8		1	RAST 2.5 TAB HEADER HOUSING, EXTERNAL LOCKING, 8P (SEE THE DETAIL LAYOUT ON SHEET 4)	8	7-1971837-7 6-1971837-7 5-1971837-7
6					4-1971837-7 3-1971837-7 2-1971837-7 1-1971837-7
7		1	RAST 2.5 TAB HEADER HOUSING, EXTERNAL LOCKING, 7P (SEE THE DETAIL LAYOUT ON SHEET 4)	7	4-1971837-6 3-1971837-6 2-1971837-6 1-1971837-6
6					4-1971837-5 3-1971837-5 2-1971837-5 1-1971837-5
5		1	RAST 2.5 TAB HEADER HOUSING, EXTERNAL LOCKING, 6P (SEE THE DETAIL LAYOUT ON SHEET 4)	6	7-1971837-4 6-1971837-4 5-1971837-4
4					4-1971837-4 3-1971837-4 2-1971837-4 1-1971837-4
15	TAB CONTACT w/ SILVER PLATING	1	RAST 2.5 TAB HEADER HOUSING, EXTERNAL LOCKING, 15P (SEE THE DETAIL LAYOUT ON SHEET 4)	15	3-1971838-5 2-1971838-5 1-1971838-5
9		1	RAST 2.5 TAB HEADER HOUSING, EXTERNAL LOCKING, 14P (SEE THE DETAIL LAYOUT ON SHEET 4)	14	2-1971838-4 1-1971838-4
14					1-1971838-3
13		1	RAST 2.5 TAB HEADER HOUSING, EXTERNAL LOCKING, 13P (SEE THE DETAIL LAYOUT ON SHEET 4)	13	2-1971838-2 1-1971838-2
8					2-1971838-1 1-1971838-1
12		1	RAST 2.5 TAB HEADER HOUSING, EXTERNAL LOCKING, 12P (SEE THE DETAIL LAYOUT ON SHEET 4)	12	2-1971838-1 1-1971838-1
11					2-1971838-1 1-1971838-1
QTY		TAB CONTACT	QTY	HOUSING	POS.

THIS DRAWING IS A CONTROLLED DOCUMENT.

DWN: WINTER WANG 12NOV2012
 CHK: HAPYE WU 12NOV2012
 APVD: YUHONG MAO 12NOV2012

STE TE Connectivity

NAME: RAST 2.5 TAB HEADER ASSY TH, VERTICAL, EXTERNAL LOCKING

SIZE: A2 CAGE CODE: 00779 DRAWING NO: 1971817 RESTRICTED TO: All

SCALE: 5:1 SHEET 2 OF 5

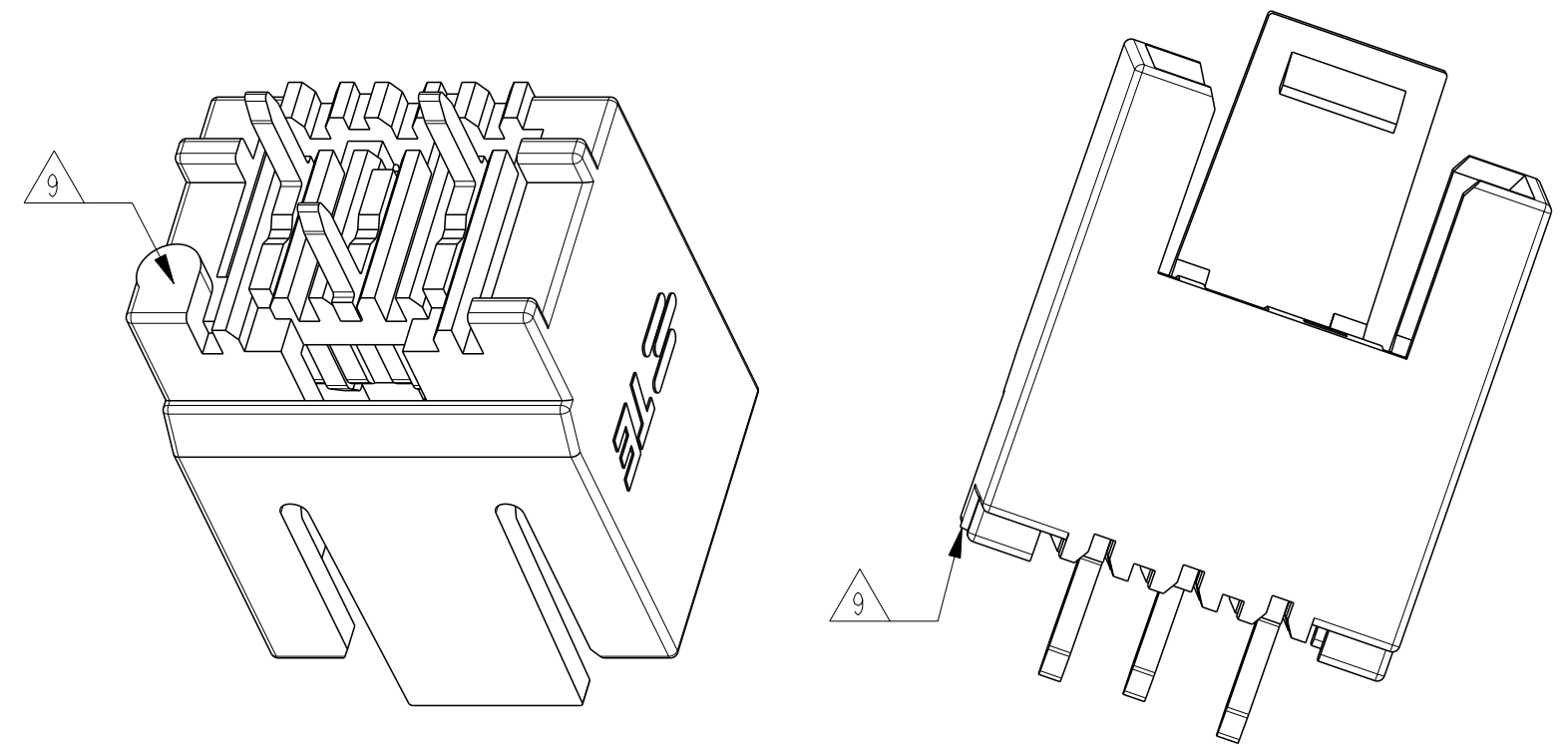
CUSTOMER DRAWING

THIS DRAWING IS UNPUBLISHED. RELEASED FOR PUBLICATION 20
 © COPYRIGHT 20 BY - ALL RIGHTS RESERVED.

LOC	DIST	REVISIONS					
ES	00	P	LTR	DESCRIPTION	DATE	DWN	APVD

10	TAB CONTACT w/ TIN PLATING	1	RAST 2.5 TAB HEADER HOUSING, EXTERNAL LOCKING, 10P (SEE THE DETAIL LAYOUT ON SHEET 4)	10	3-1971817-0 2-1971817-0 1-1971817-0						
9		1	RAST 2.5 TAB HEADER HOUSING, EXTERNAL LOCKING, 9P (SEE THE DETAIL LAYOUT ON SHEET 4)	9	7-1971817-9 6-1971817-9 5-1971817-9 4-1971817-9 3-1971817-9 2-1971817-9 1-1971817-9						
6					1	RAST 2.5 TAB HEADER HOUSING, EXTERNAL LOCKING, 8P (SEE THE DETAIL LAYOUT ON SHEET 4)	8	5-1971817-8 4-1971817-8 3-1971817-8 2-1971817-8 1-1971817-8			
9								1	RAST 2.5 TAB HEADER HOUSING, EXTERNAL LOCKING, 7P (SEE THE DETAIL LAYOUT ON SHEET 4)	7	7-1971817-7 6-1971817-7 5-1971817-7 4-1971817-7 3-1971817-7 2-1971817-7 1-1971817-7
8											1
6					1	RAST 2.5 TAB HEADER HOUSING, EXTERNAL LOCKING, 5P (SEE THE DETAIL LAYOUT ON SHEET 4)	5				
5		1	RAST 2.5 TAB HEADER HOUSING, EXTERNAL LOCKING, 4P (SEE THE DETAIL LAYOUT ON SHEET 4)	4							7-1971817-4 6-1971817-4 5-1971817-4 4-1971817-4 3-1971817-4 2-1971817-4 1-1971817-4
2								1	RAST 2.5 TAB HEADER HOUSING, EXTERNAL LOCKING, 3P (SEE THE DETAIL LAYOUT ON SHEET 4)	3	1-2322471-3 1-2335894-3 2335894-3 1971817-3 9-1971817-3 8-1971817-3 7-1971817-3 6-1971817-3 5-1971817-3 4-1971817-3 3-1971817-3 2-1971817-3 1-1971817-3
5											
4											
3											
QTY	TAB CONTACT	QTY	HOUSING	POS.	TE PART NO. 5						

9 SPECIAL VERSION WITHOUT PEG FEATURE.



OTHER DIMENSIONS SEE SHEET 1, PCB LAYOUT SEE SHEET 1

3	TAB CONTACT w/ TIN PLATING	1	RAST 2.5 TAB HEADER HOUSING, EXTERNAL LOCKING, 3P WITHOUT PEG (SEE THE DETAIL LAYOUT ON SHEET 4)	3	2350434-3 8
QTY	TAB CONTACT	QTY	HOUSING	POS.	TE PART NO. 5

15	TAB CONTACT w/ TIN PLATING	1	RAST 2.5 TAB HEADER HOUSING, EXTERNAL LOCKING, 15P (SEE THE DETAIL LAYOUT ON SHEET 4)	15	3-1971818-5 2-1971818-5 1-1971818-5			
9		1	RAST 2.5 TAB HEADER HOUSING, EXTERNAL LOCKING, 14P (SEE THE DETAIL LAYOUT ON SHEET 4)	14	2-1971818-4			
14					1-1971818-4			
13		1	RAST 2.5 TAB HEADER HOUSING, EXTERNAL LOCKING, 13P (SEE THE DETAIL LAYOUT ON SHEET 4)	13	1-1971818-3			
8					1	RAST 2.5 TAB HEADER HOUSING, EXTERNAL LOCKING, 12P (SEE THE DETAIL LAYOUT ON SHEET 4)	12	2-1971818-2
12								1-1971818-2
11		1	RAST 2.5 TAB HEADER HOUSING, EXTERNAL LOCKING, 11P (SEE THE DETAIL LAYOUT ON SHEET 4)	11	2-1971818-1			
11					1-1971818-1			
QTY		TAB CONTACT	QTY	HOUSING	POS.	TE PART NO. 5		

THIS DRAWING IS A CONTROLLED DOCUMENT.

DWN: WINTER WANG 12NOV2012
 CHK: HAPYE WU 12NOV2012
 APVD: YUHONG MAO 12NOV2012

STE TE Connectivity

NAME: RAST 2.5 TAB HEADER ASSY TH, VERTICAL, EXTERNAL LOCKING

PRODUCT SPEC: -
 APPLICATION SPEC: -
 WEIGHT: -

DIMENSIONS: mm
 TOLERANCES UNLESS OTHERWISE SPECIFIED:
 0 PLC ±
 1 PLC ±
 2 PLC ±0.20
 3 PLC ±
 4 PLC ±
 ANGLES ±1°
 FINISH: -

SIZE: A2 CAGE CODE: 00779 DRAWING NO: 1971817 RESTRICTED TO: -
 SCALE: 5:1 SHEET 3 OF 5 REV: All

CUSTOMER DRAWING

LOC	DIST	REVISIONS					
		P	LYR	DESCRIPTION	DATE	OWN	APVD

D

C

B

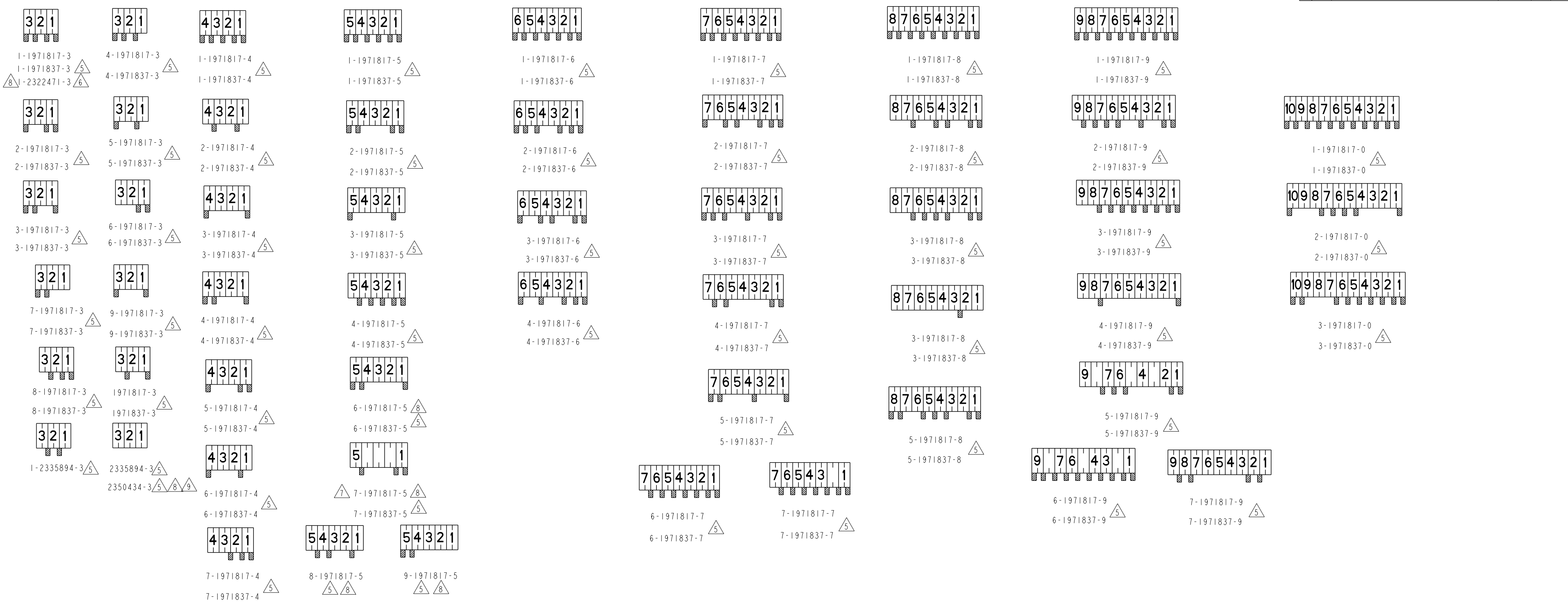
A

D

C

B

A



3 POS

4 POS

5 POS

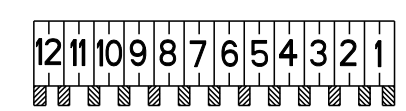
6 POS

7 POS

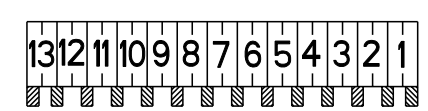
8 POS

9 POS

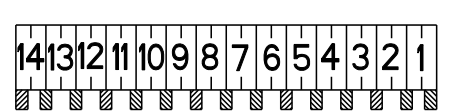
10 POS



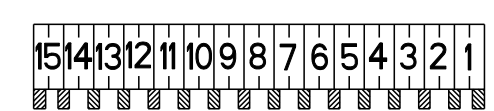
1-1971818-2
1-1971838-2



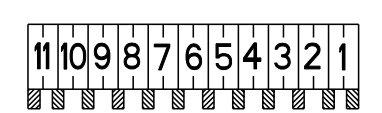
1-1971818-3
1-1971838-3



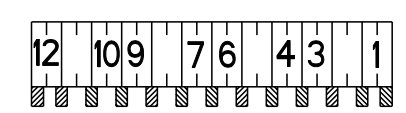
1-1971818-4
1-1971838-4



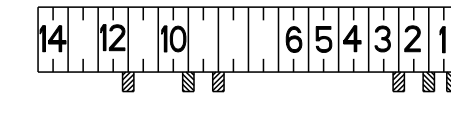
1-1971818-5
1-1971838-5



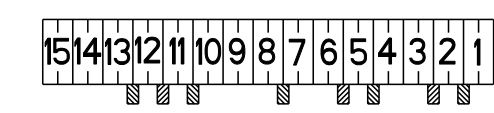
1-1971818-1
1-1971838-1



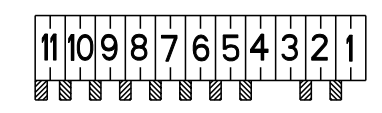
2-1971818-2
2-1971838-2



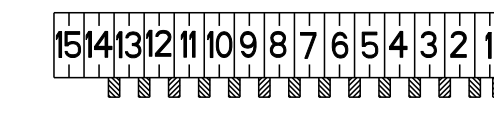
2-1971818-4
2-1971838-4



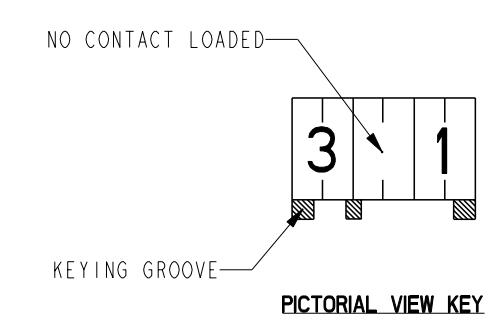
2-1971818-5
2-1971838-5



2-1971818-1
2-1971838-1



3-1971818-5
3-1971838-5



11 POS

12 POS

13 POS

14 POS

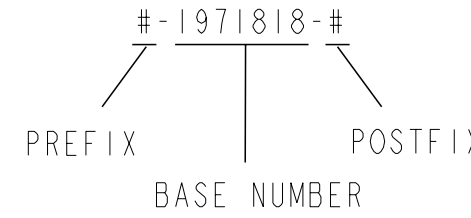
15 POS

THIS DRAWING IS A CONTROLLED DOCUMENT.		OWN: WINTER WANG 12NOV2012	TE Connectivity
		CHK: HAPYE WU 12NOV2012	
		APVD: YUHONG MAO 12NOV2012	NAME: -
			PRODUCT SPEC: -
			APPLICATION SPEC: -
			WEIGHT: -
			RESTRICTED TO: -
			SIZE: A1
			CAGE CODE: 00779
			DRAWING NO: C=1971817
			SCALE: 5:1
			SHEET: 4 OF 5
			REV: A11

THIS DRAWING IS UNPUBLISHED. RELEASED FOR PUBLICATION 20
 © COPYRIGHT 20 BY - ALL RIGHTS RESERVED.

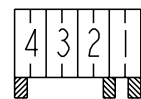
LOC	DIST	REVISIONS					
ES	00	P	LTR	DESCRIPTION	DATE	DWN	APVD

FOR ANY KEYING CONFIGURATION, THERE ARE EIGHT COLORS AVAILABLE, BESIDES THE NATURAL COLOR, THERE ARE OTHER SEVEN COLORS, INCLUDE: YELLOW, BLUE, GREY, PURPLE, RED, GREEN, BLACK. THE WHITE VERSION IS PRELIMINARY. THE P/N OF THE COLOR CONNECTOR ARE BASED ON THE NATURAL CONNECTOR, THE PREFIX AND POSTFIX ARE THE SAME FOR THE SAME KEYING CONFIGURATION, BUT THE BASE NUMBERS ARE DIFFERENT ACCORDING TO DIFFERENT COLOR. THE FOLLOWING SHOWS WHAT'S THE P/N FOR COLOR CONNECTOR



COLOR	PART NUMBER OF THE CONNECTOR				COMMENTS
	WITH TIN PLATING CONTACT		WITH AG PLATING CONTACT		
NATURAL	#-1971817-#	#-1971818-#	#-1971837-#	#-1971838-#	THE DETAIL P/N FOR DIFFERENT KEYING SEE SHEET 2 & 3 & 4
RED	#-1971938-#	#-1971939-#	#-2232141-#	#-2232142-#	THE PREFIX AND POSTFIX ARE THE SAME WITH THE P/N OF THE NATURAL CONNECTOR FOR THE SAME KEYING CONFIGURATION, JUST THE BASE NUMBERS ARE DIFFERENT BASED ON DIFFERENT COLOR. # CAN BE THE NUMBER FROM 0 TO 9.
BLUE	#-2232143-#	#-2232144-#	#-2232145-#	#-2232146-#	
YELLOW	#-2232147-#	#-2232148-#	#-2232149-#	#-2232150-#	
BALCK	#-1971994-#	#-1971995-#	#-2232151-#	#-2232152-#	
GREY	#-1971976-#	#-1971977-#	#-2232153-#	#-2232154-#	
GREEN	#-1971988-#	#-1971989-#	#-2232155-#	#-2232156-#	
PURPLE	#-2232157-#	#-2232158-#	#-2232159-#	#-2232160-#	
WHITE	#-2232277-#	#-2232278-#	#-2232279-#	#-2232280-#	

FOR EXAMPLE, IF A CONNECTOR WITH THE CONFIGURATION AS BELOW, AND WITH TIN PLATING CONTACT, IN THE SHEET 4, WE CAN FIND THE RELATED CONNECTOR P/N WITH NATURAL COLOR IS 5-1971817-4, THEN WE CAN LOOK IN THE ABOVE TABLE TO FIND THE CONNECTOR P/N WITH RED COLOR IS 5-1971938-4



THIS DRAWING IS A CONTROLLED DOCUMENT.		DWN	12NOV2012	STE TE Connectivity	
DIMENSIONS: mm		CHK	WINTER WANG 12NOV2012		
TOLERANCES UNLESS OTHERWISE SPECIFIED:		APVD	HAPYE WU 12NOV2012		
0 PLC ±- 1 PLC ±- 2 PLC ±0.20 3 PLC ±- 4 PLC ±- ANGLES ±1° FINISH		NAME	YUHONG MAO		
MATERIAL		PRODUCT SPEC	108-106079	NAME	RAST 2.5 TAB HEADER ASSY TH, VERTICAL, EXTERNAL LOCKING
		APPLICATION SPEC	-	SIZE	A2
		WEIGHT	-	CAGE CODE	00779
		CUSTOMER DRAWING		DRAWING NO	G-1971817
		SCALE	5:1	RESTRICTED TO	
		SHEET	5 OF 5	REV	All