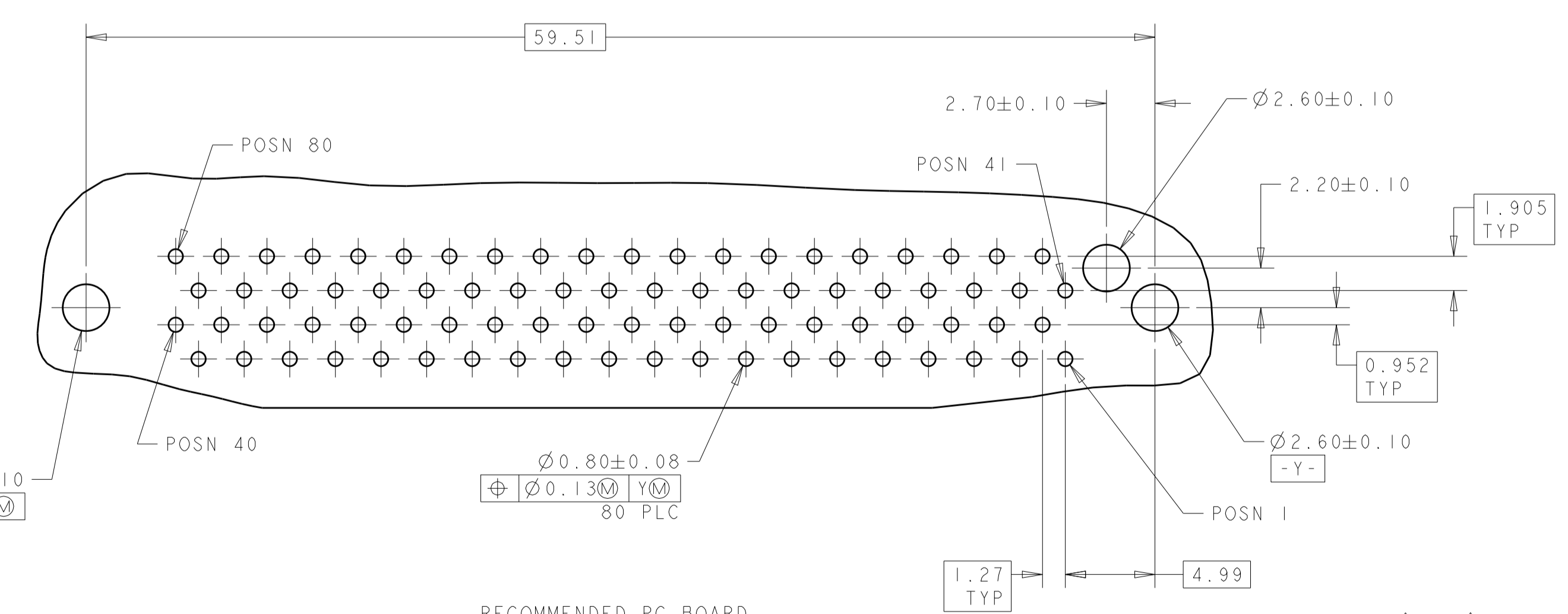
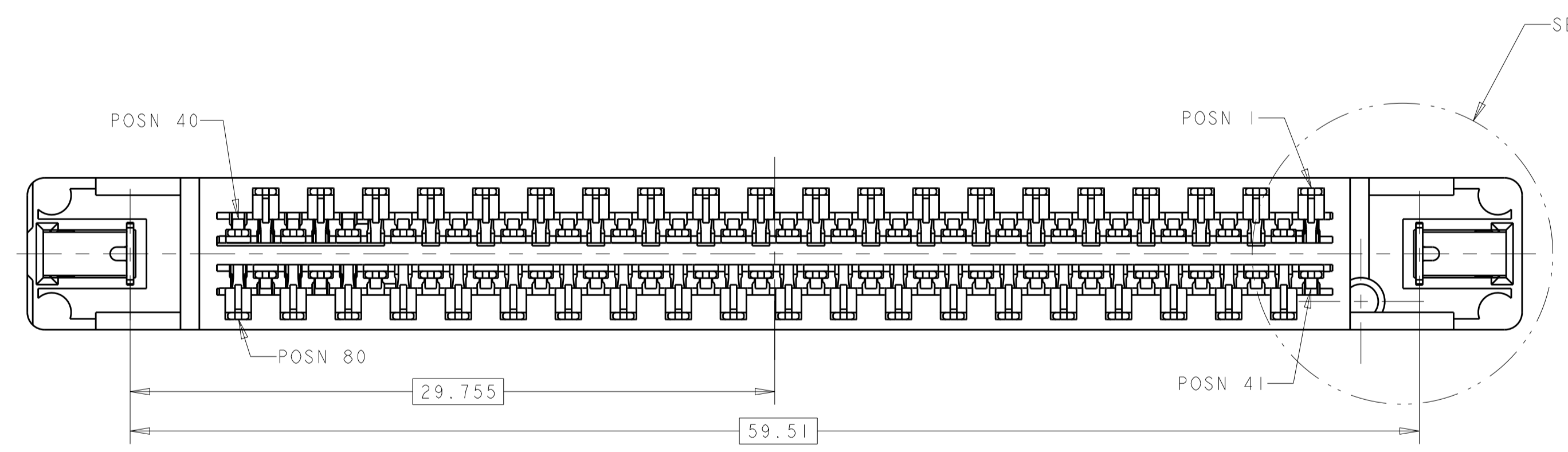
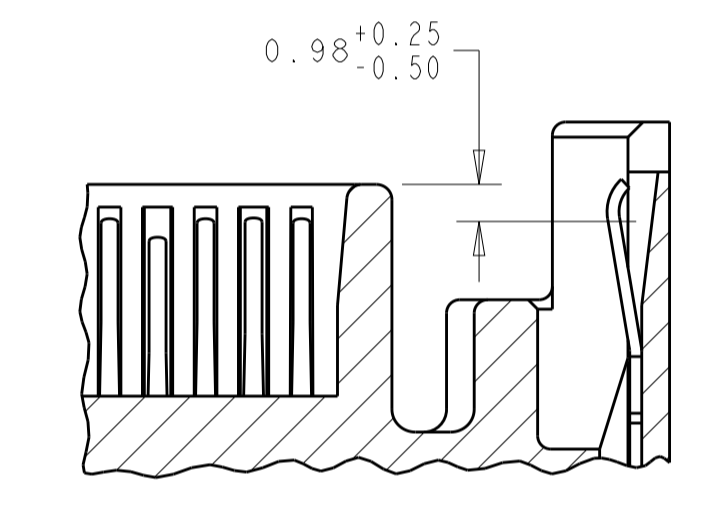
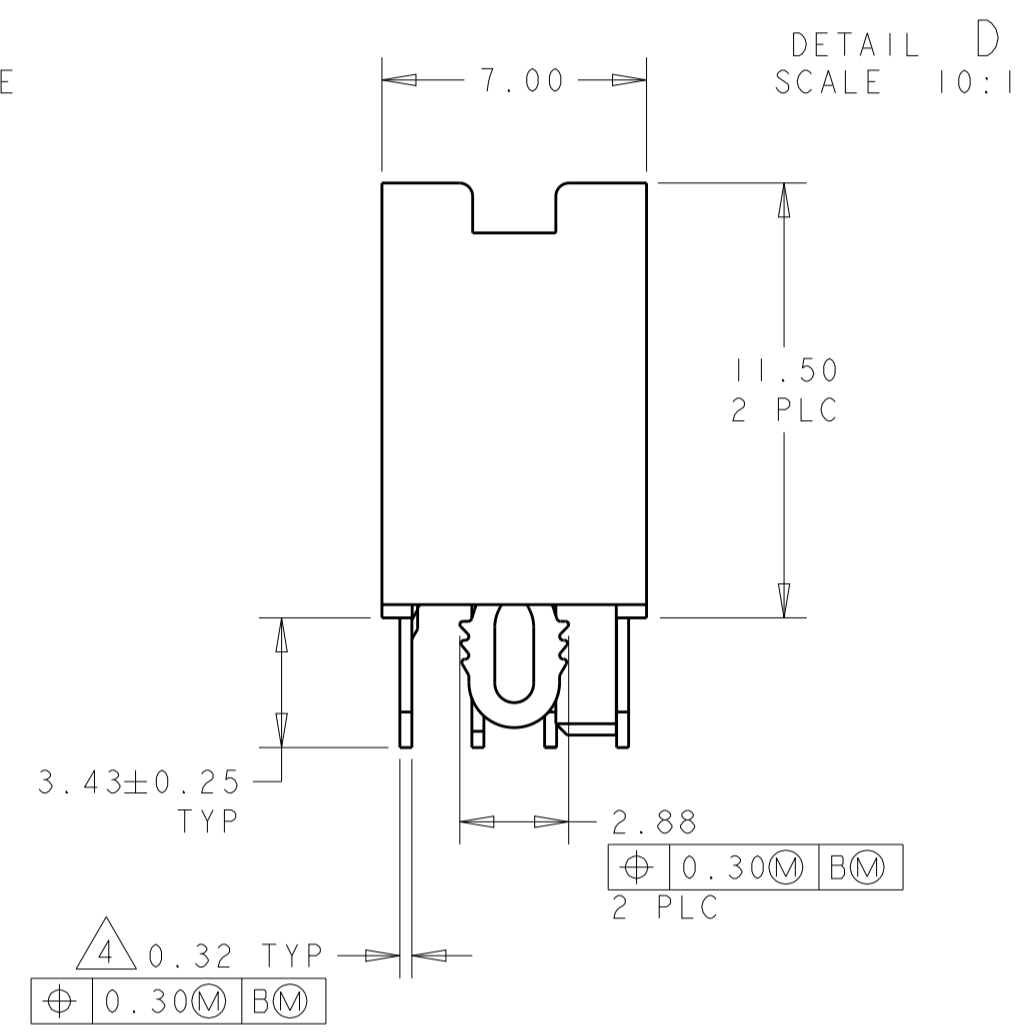
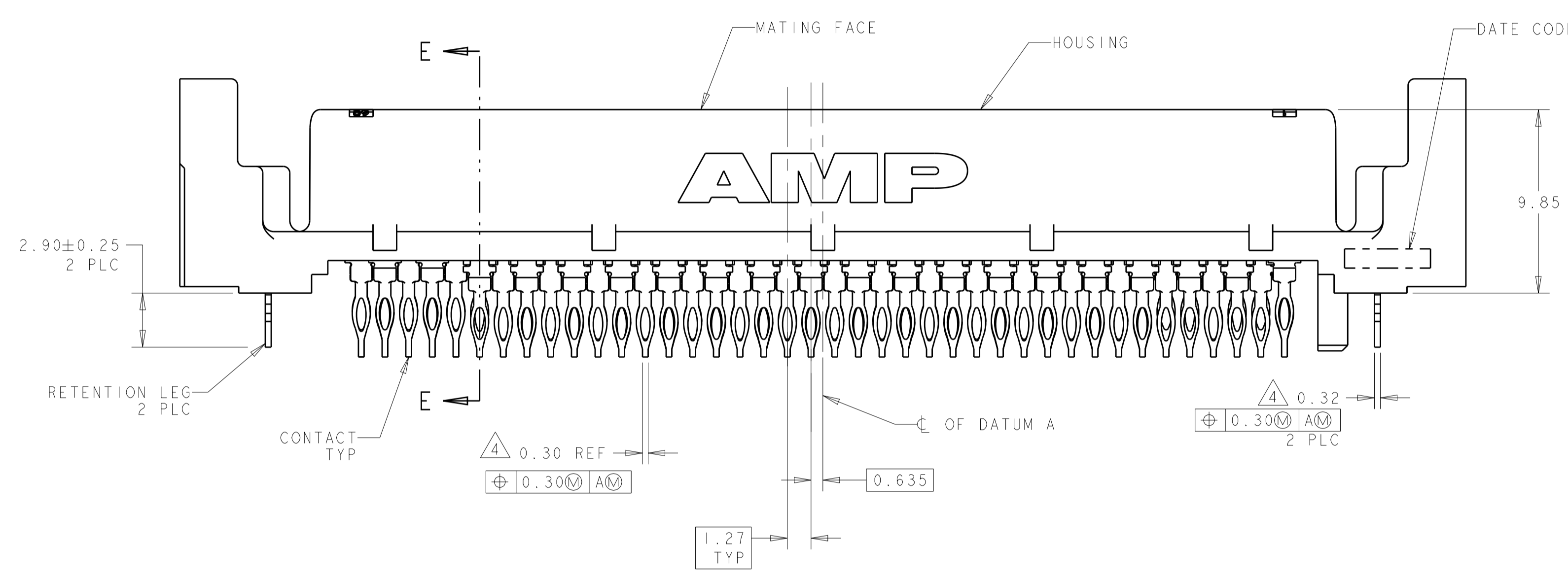
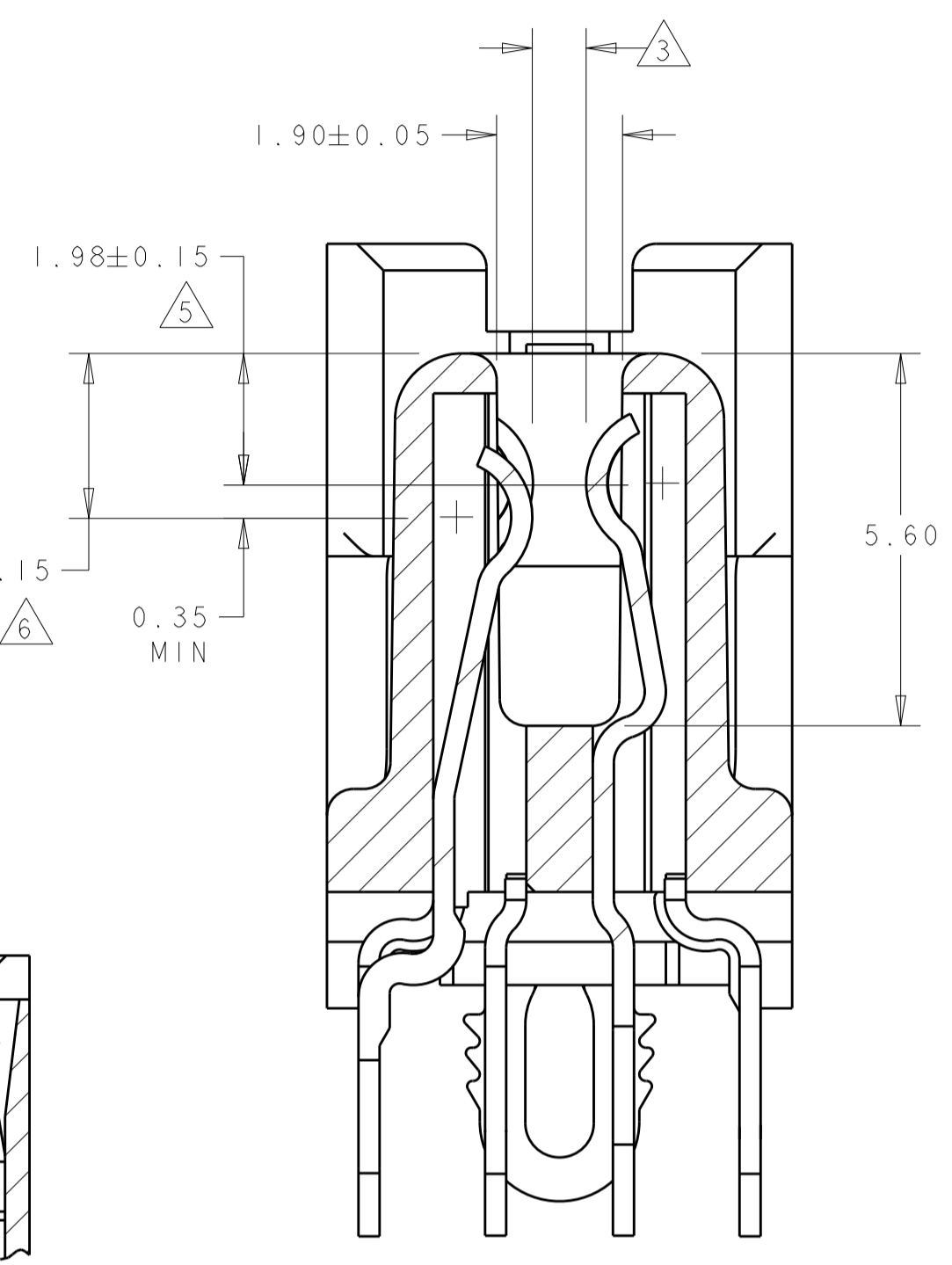
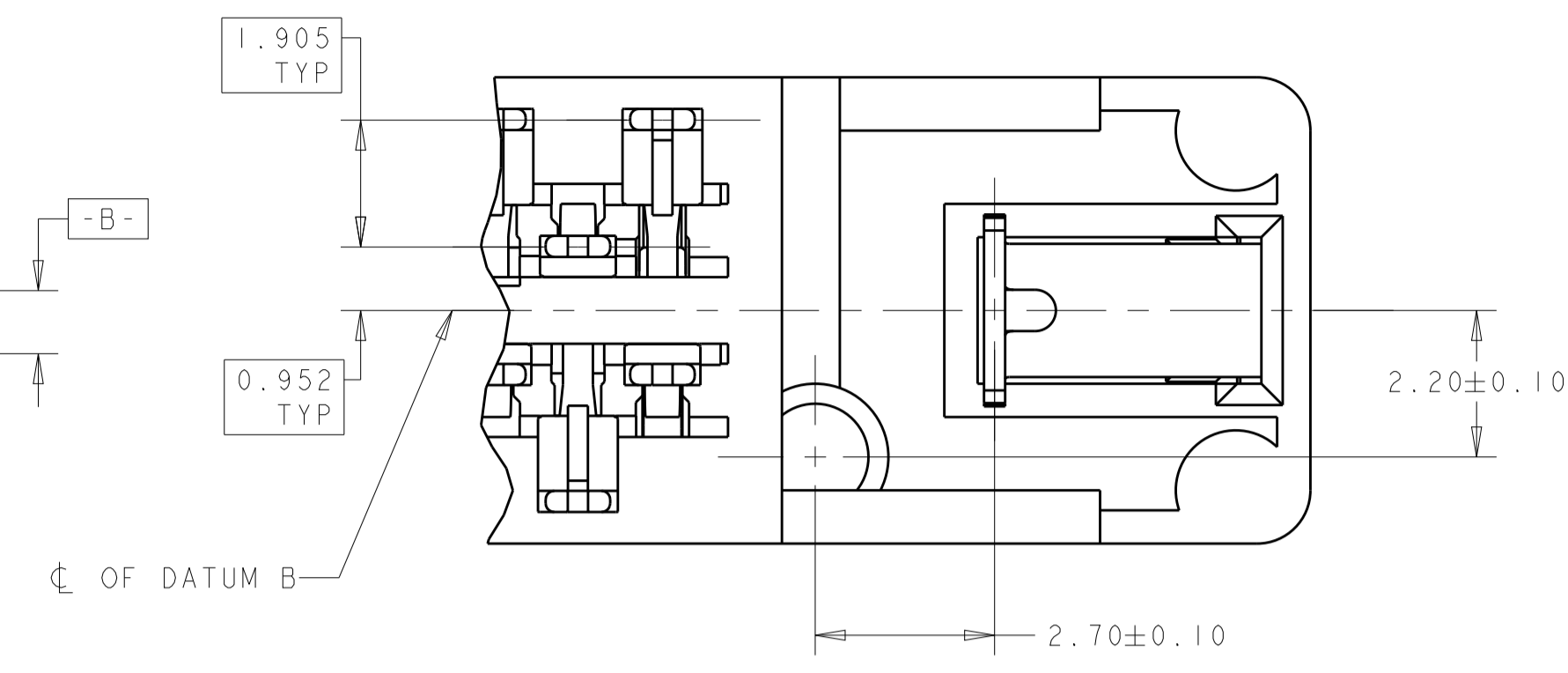
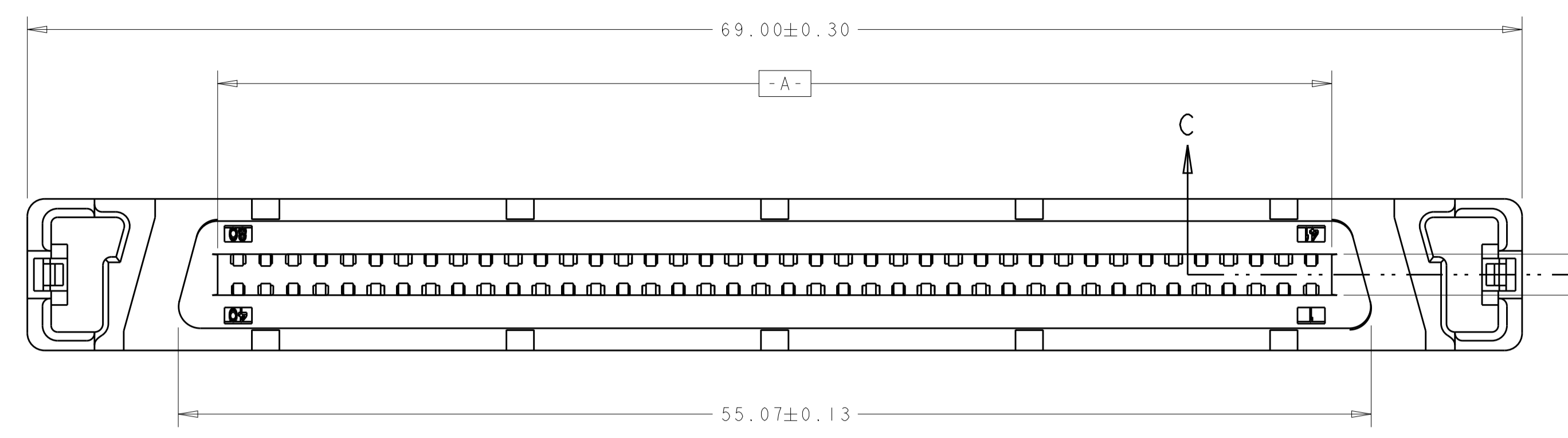


LOC		DIST		REVISIONS			
GP	00	P	LTN	DESCRIPTION	DATE	DWN	APVD
		K		PER ECO-12-012349	09APR13	BL	AC



- 1 HOUSING: LCP, UL 94V-0 RATED, BLACK.
CONTACTS: PHOSPHOR BRONZE.
RETENTION LEG: BRASS.
- 2 CONTACTS: 0.76µm GOLD FOR A LENGTH OF 1.20 MIN STARTING 0.50 MAX FROM MATING END, 1.27µm-3.81µm TIN-LEAD FOR A LENGTH OF 3.43 MIN FROM OPPOSITE END, BOTH OVER 1.27µm MIN NICKEL.
- 3 CONNECTOR WILL ACCOMMODATE MATING PRINTED CIRCUIT BOARD OF 1.60±0.07 THICKNESS.
- 4 POSITION TOLERANCE APPLIES AT CONTACT TIP ONLY.
- 5 DIMENSION APPLIES TO CONTACTS 1, 36 THRU 40, 41 THRU 43, 45, 46 AND 75 THRU 80.
- 6 DIMENSION APPLIES TO CONTACTS 2 THRU 35, 44, AND 47 THRU 74.
- 7 RETENTION LEG: 3.81µm MIN TIN-LEAD OVER 1.27µm MIN NICKEL.
- 8 RECOMMENDED PC BOARD THICKNESS IS 2.36 TO 3.81.
- 9 CONTACTS: 0.76µm GOLD FOR A LENGTH OF 1.20 MIN STARTING 0.50 MAX FROM MATING END, 1.27µm-3.81µm MATTE TIN FOR A LENGTH OF 3.43 MIN FROM OPPOSITE END, BOTH OVER 1.27µm MIN NICKEL.
- 10 RETENTION LEGS: 3.81µm MIN HALT TIN.
- 11 CONTACTS: 0.38µm GOLD FOR A LENGTH OF 1.20 MIN STARTING 0.50 MAX FROM MATING END, 1.27µm-3.81µm MATTE TIN FOR A LENGTH OF 3.43 MIN FROM OPPOSITE END, BOTH OVER 1.27µm MIN NICKEL.
- 12 CONTACTS: 0.38µm GOLD FOR A LENGTH OF 1.20 MIN STARTING 0.50 MAX FROM MATING END, 1.27µm-3.81µm TIN-LEAD FOR A LENGTH OF 3.43 MIN FROM OPPOSITE END, BOTH OVER 1.27µm MIN NICKEL.
- 13 OBSOLETE STREAMLINING PER D.RENAUD/D.SINISI

RECOMMENDED PC BOARD MOUNTING DIMENSIONS COMPONENT SIDE SCALE 4:1

FINISH	PART NUMBER
7	787900-4
8	787900-3
9	787900-2
10	787900-1

OBSOLETE

THIS DRAWING IS A CONTROLLED DOCUMENT.

DIMENSIONS:	TOLERANCES UNLESS OTHERWISE SPECIFIED:	DWN R. FOLTZ 13-Sep-96	13-Sep-96
mm	0 PLC ± 1 PLC ± 2 PLC ±0.13 3 PLC ± 4 PLC ±	CHK J. SWANK 17-Sep-96	17-Sep-96
MATERIAL	FINISH SEE TABLE	APVD J. SWANK 17-Sep-96	17-Sep-96

NAME: RECEPTACLE ASSEMBLY, VERTICAL, 80 POSITION, PRESS FIT, CHAMP BLINDMATE .050 SERIES I

SIZE: A100779C=787900

CUSTOMER DRAWING

SCALE: 2:1 SHEET 1 OF 1 REV K

Mouser Electronics

Authorized Distributor

Click to View Pricing, Inventory, Delivery & Lifecycle Information:

[TE Connectivity:](#)

[787900-2](#)