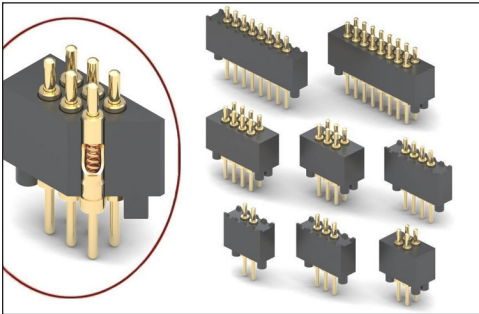


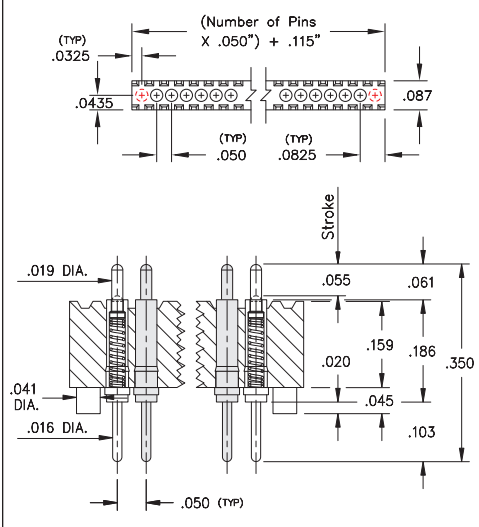
SPRING-LOADED CONNECTORS

SERIES 854 & 855 • .050" GRID THROUGH-HOLE MOUNT • SINGLE AND DOUBLE ROW STRIPS

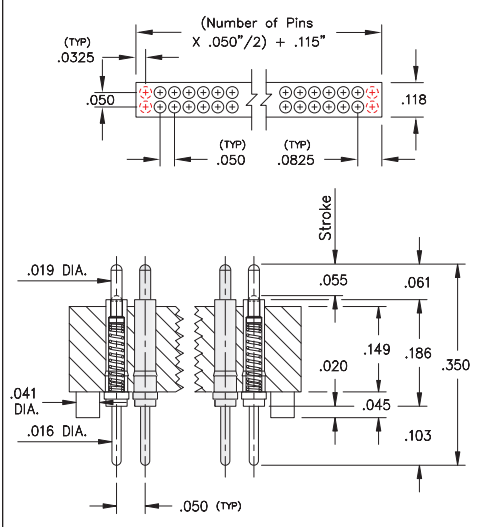


- Modular contacts for use on .050" grid, supplied in single and double row contact strips
- Precision-machined piston / base and gold-plated components assure up to 100,000 cycle life durability
- Pistons have a .0275" mid. stroke and a .055" max. stroke
- Low resistance, high current contacts are rated at 2 amps continuous, 3 amps peak
- High temperature thermoplastic insulators are suitable for wave and reflow processes
- Both 854 & 855 series contact strips are designed for manual placement into $\varnothing .023 \pm .003$ " plated through-holes in the circuit board prior to hand, wave or reflow soldering

SINGLE ROW Series 854



DOUBLE ROW Series 855



ORDERING INFORMATION

Single Row Series 854

854-22-0XX-10-001101

Specify number of contacts 02-20

Double Row Series 855

855-22-0XX-10-001101

Specify number of contacts 04-40

Technical Specifications

Materials:

Contact piston & base: Machined copper alloy plated 20 μ " gold over 100 μ " nickel
 Spring: Beryllium copper-plated 10 μ " gold
 Insulator: High temperature thermoplastic, rated UL94 V-0

Mechanical:

Spring force @ initial height: 25 grams
 Spring force @ mid stroke (.0275"): 60 grams
 Durability: Up to 100,000 cycles

Electrical:

Voltage rating: 100Vrms/150Vdc
 Current rating: 2A (continuous), 3A (peak) per contact
 Contact resistance: 20m Ω max.
 Insulation resistance: 10,000M Ω min.
 Dielectric strength: 700Vrms min.
 Capacitance: 1pF max.

RoHS-2
2011/65/EU



Mouser Electronics

Authorized Distributor

Click to View Pricing, Inventory, Delivery & Lifecycle Information:

Mill-Max:

[854-22-002-10-001101](#) [854-22-003-10-001101](#) [854-22-004-10-001101](#) [854-22-005-10-001101](#) [854-22-006-10-001101](#) [854-22-007-10-001101](#) [854-22-008-10-001101](#) [854-22-009-10-001101](#) [854-22-010-10-001101](#) [854-22-012-10-001101](#) [854-22-020-10-001101](#) [855-22-004-10-001101](#) [855-22-006-10-001101](#) [855-22-008-10-001101](#) [855-22-010-10-001101](#) [855-22-020-10-001101](#) [855-22-040-10-001101](#) [855-22-016-10-001101](#) [855-22-032-10-001101](#) [855-22-034-10-001101](#) [855-22-012-10-001101](#) [855-22-018-10-001101](#) [855-22-024-10-001101](#) [855-22-014-10-001101](#) [855-22-022-10-001101](#) [855-22-030-10-001101](#) [855-22-036-10-001101](#) [855-22-026-10-001101](#) [855-22-028-10-001101](#) [855-22-038-10-001101](#)