

THIS DRAWING IS UNPUBLISHED.

RELEASED FOR PUBLICATION FEB ,2006.

© COPYRIGHT 2006 By -

ALL RIGHTS RESERVED.

| | | | | |
|----------|-----------|---------------|-----------|------------|
| LOC E | DIST B | REVISIONS | | |
| P | LTR | DESCRIPTION | DATE | DWN |
| | D | ECO-14-000452 | 28APR2015 | RZ |
| | | | | APVD MC |

NOTES:

1 SINGLE PACKING: ONE CONNECTOR PER LABELED BAG PACKAGED. LABELED PER TEC-107-115

2 TRAY PACKAGED

3 Au PLATING

4 ELECTRICAL CHARACTERISTICS

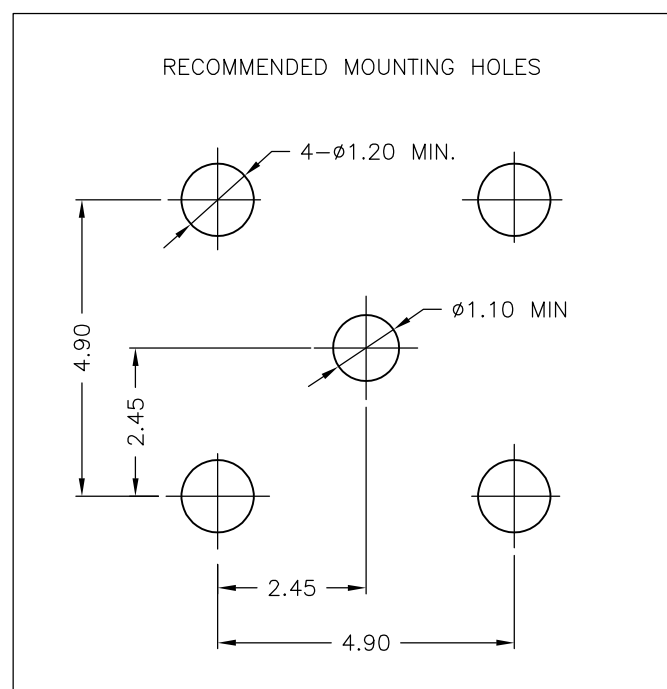
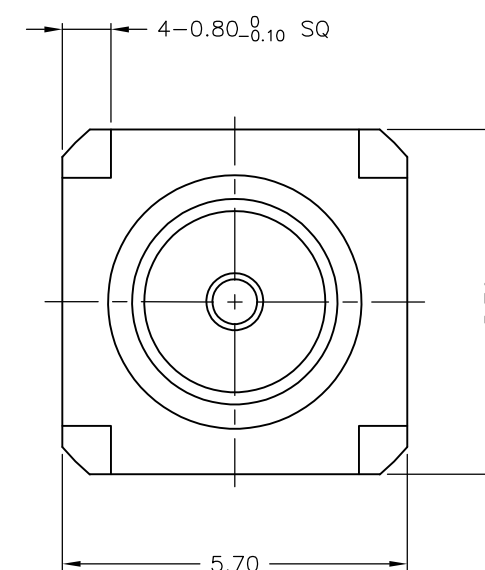
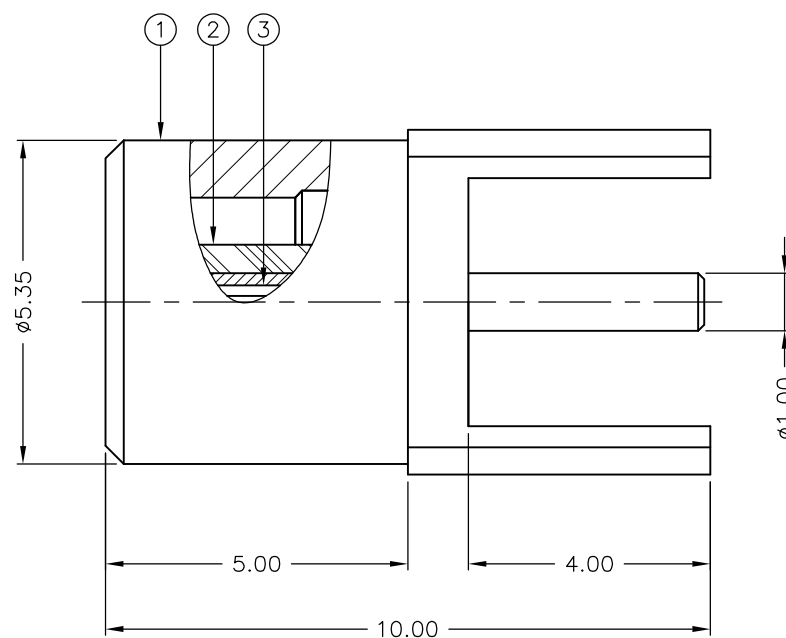
FREQUENCY RANGE: DC - 6 GHz
 NOMINAL IMPEDANCE: 50 Ohm
 INSULATION RESISTANCE: 1000 MOhm
 WORKING VOLTAGE: 335 Volts RMS at Sea Level
 DIELECTRIC WITHSTAND VOLTAGE: 1000 Volts RMS Max
 CONTACT RESISTANCE:
 CENTER CONTACT: 5.00 mOhm Max
 OUTER CONTACT: 1.00 mOhm Max
 VSWR @ 4GHz: N/A
 INSERTION LOSS dB @ x 1.0 GHz: 0.10 Max

5 MECHANICAL CHARACTERISTICS


DURABILITY: 500 Cycles Min

6 ENVIRONMENTAL CHARACTERISTICS

OPERATING TEMPERATURE: -65 to +165 DegC



| | | | | | |
|-------------------|------|------|------------------|-------------|------|
| | 1 | 1 | BERYLLIUM COPPER | CONTACT | 3 |
| | 1 | 1 | PTFE | INSULATION | 2 |
| | 1 | 1 | BRASS | BODY | 1 |
| | 6--0 | 1--0 | MATERIAL | DESCRIPTION | ITEM |
| | | | | | |
| QUANTITY PER ASSY | | | PARTS LIST | | |

| | | | | | | | | | | | | | | | |
|---|--------|------------------------|---------|--|---------------|-------|-----|-------|--------|-------|-----|-------|-----|--------|-----|
| THIS DRAWING IS A CONTROLLED DOCUMENT. | | DWN J.SANDWELL | 02FEB06 |  TE Connectivity | | | | | | | | | | | |
| DIMENSIONS: mm | | CHK S.PARLOW | 02FEB06 | | | | | | | | | | | | |
| TOLERANCES UNLESS OTHERWISE SPECIFIED: | | APVD F.WHEELER-KING | 02FEB06 | | | | | | | | | | | | |
| <table border="0"> <tr><td>0 PLC</td><td>± -</td></tr> <tr><td>1 PLC</td><td>± -</td></tr> <tr><td>2 PLC</td><td>± 0.10</td></tr> <tr><td>3 PLC</td><td>± -</td></tr> <tr><td>4 PLC</td><td>± -</td></tr> <tr><td>ANGLES</td><td>± -</td></tr> </table> | | 0 PLC | ± - | | | 1 PLC | ± - | 2 PLC | ± 0.10 | 3 PLC | ± - | 4 PLC | ± - | ANGLES | ± - |
| 0 PLC | ± - | | | | | | | | | | | | | | |
| 1 PLC | ± - | | | | | | | | | | | | | | |
| 2 PLC | ± 0.10 | | | | | | | | | | | | | | |
| 3 PLC | ± - | | | | | | | | | | | | | | |
| 4 PLC | ± - | | | | | | | | | | | | | | |
| ANGLES | ± - | | | | | | | | | | | | | | |
| MATERIAL SEE TABLE | | FINISH | | MCX STRAIGHT PCB SOCKET 50 OHM | | | | | | | | | | | |
| | | WEIGHT | | SIZE | CAGE CODE | | | | | | | | | | |
| | | CUSTOMER DRAWING | | A3 | 00779 | | | | | | | | | | |
| | | | | DRAWING NO | RESTRICTED TO | | | | | | | | | | |
| | | | | C-1337581 | - | | | | | | | | | | |
| | | | | SCALE | SHEET | | | | | | | | | | |
| | | | | NTS | 1 OF 1 | | | | | | | | | | |
| | | | | REV | D | | | | | | | | | | |

Mouser Electronics

Authorized Distributor

Click to View Pricing, Inventory, Delivery & Lifecycle Information:

[TE Connectivity:](#)

[1-1337581-0](#)