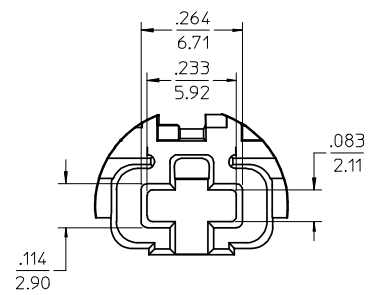
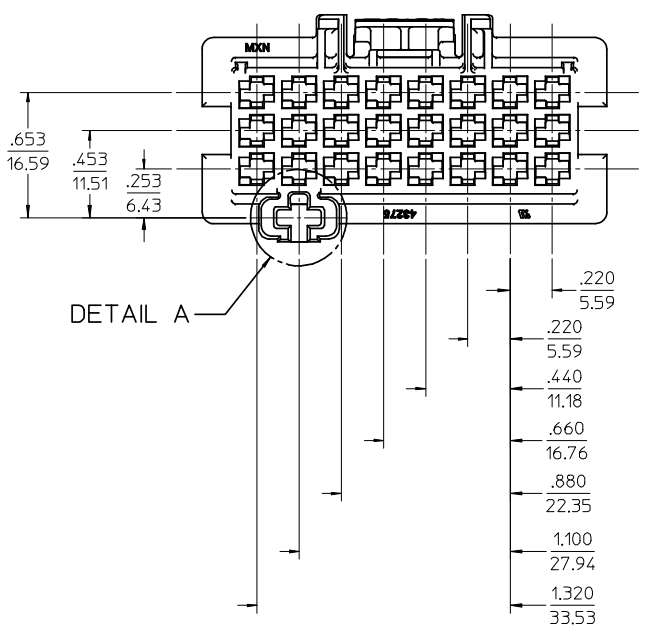
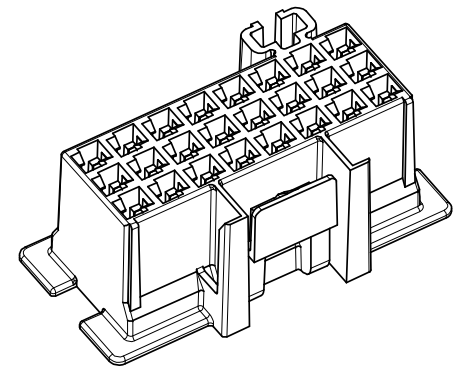
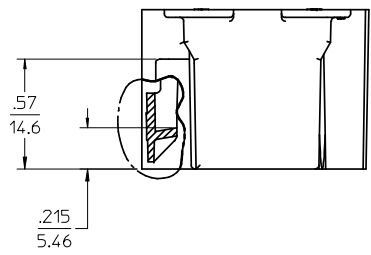
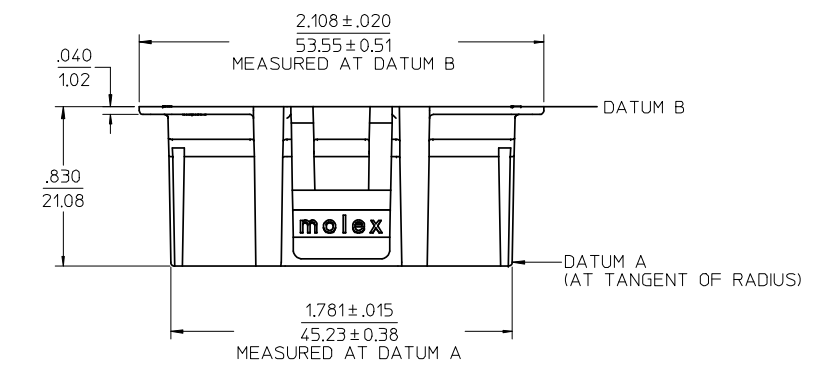
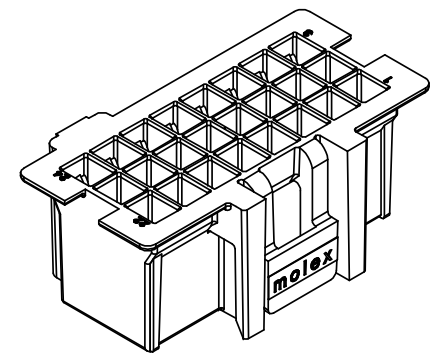


- NOTES:
1. MATERIAL: NYLON PA66, UL94V-2
COLOR: NATURAL (TRANSLUCENT)
 2. FINISH: NOT APPLICABLE
 3. PRODUCT SPECIFICATION: PSX-44441-9999
 4. PACKAGING INFORMATION: PK-43275-002
 5. USE TERMINALS: 43375-*
 6. SEE SMES-43275-0024 OR SMES-43275-9024 FOR THE DESCRIPTION OF THE MATING INTERFACE.
 7. PARTS CONFORM TO CLASS 'B' REQUIREMENTS OF COSMETIC SPECIFICATION PS-45499-002.



43275-2024

DETAIL A
SCALE 4:1

ADD NOTES 4 AND 7 EC NO: UCP2007-2637 DRWN:PRIDDER 2008/06/18 CHKD:AELHAG 2008/06/18 APPR:FSMITH 2008/06/15	QUALITY SYMBOLS ▽=0 ▽=1	GENERAL TOLERANCES (UNLESS SPECIFIED)		DIMENSION STYLE IN/MM	SCALE 2:1	DESIGN UNITS INCH	THIRD ANGLE PROJECTION		
		4 PLACES ± --- ± ---	3 PLACES ± --- ± .007	DRAWN BY TGREGORI	DATE 2003/03/12	TITLE CONNECTOR HOUSING 24-CIRCUITS, W/ FLANGE APPLIANCE TIMER - TPA			
		2 PLACES ± 0.18 ± .010	1 PLACE ± 0.25 ± ---	CHECKED BY BWIRKUS	DATE 2003/03/14	MOLEX INCORPORATED			
		ANGULAR ± 1/2°		APPROVED BY JCOMERCI	DATE 2003/03/17	MATERIAL NO. 43275-2024	DOCUMENT NO. SD-43275-002	SHEET NO. 1 OF 1	
DRAFT WHERE APPLICABLE MUST REMAIN WITHIN DIMENSIONS		SIZE C		THIS DRAWING CONTAINS INFORMATION THAT IS PROPRIETARY TO MOLEX INCORPORATED AND SHOULD NOT BE USED WITHOUT WRITTEN PERMISSION					

Mouser Electronics

Authorized Distributor

Click to View Pricing, Inventory, Delivery & Lifecycle Information:

[Molex:](#)

[43275-2024](#)