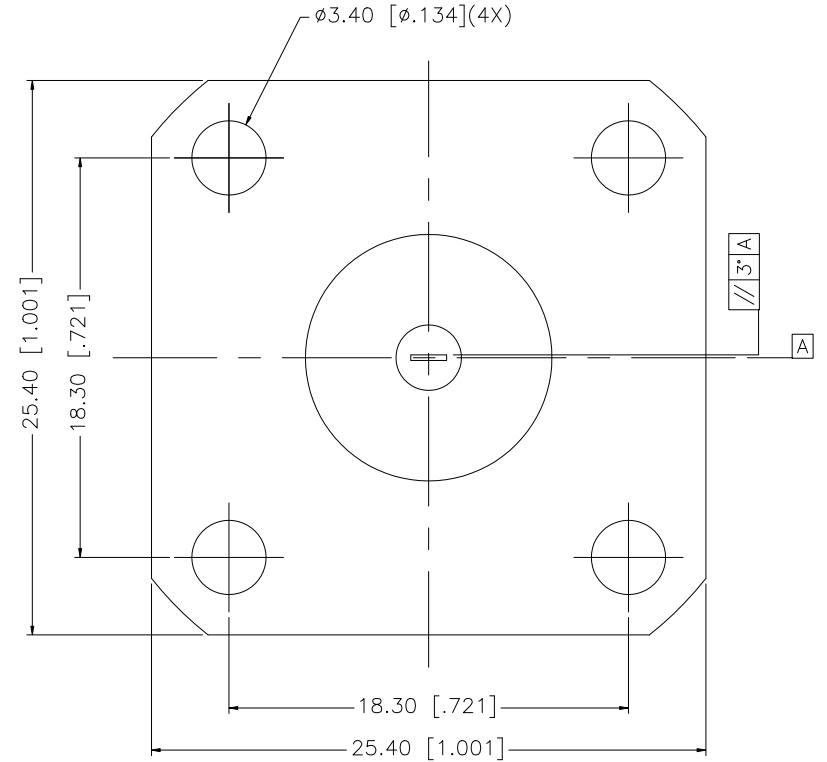
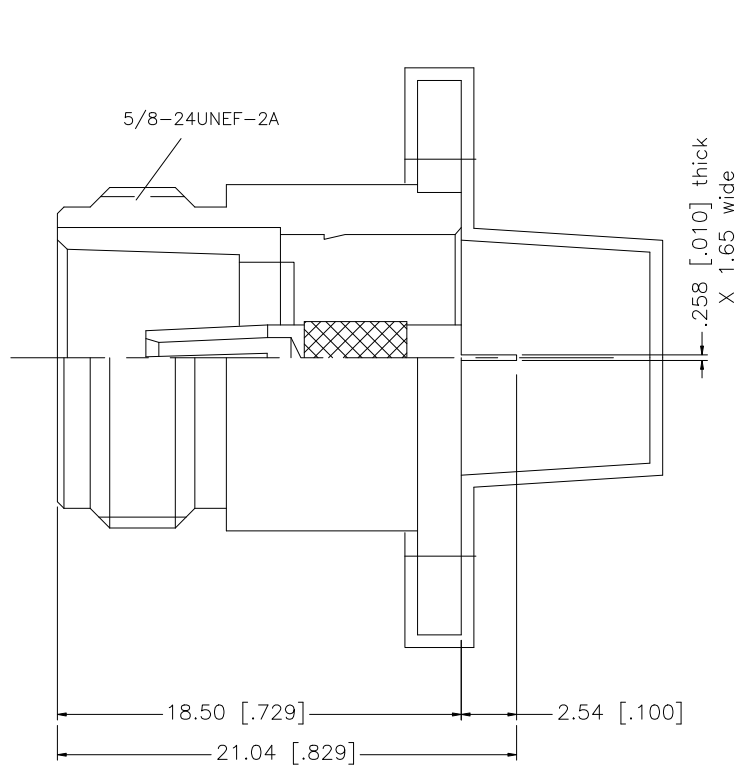


REV.	DATE	DESCRIPTION
A	02/21/00	REVISE BODY PLATING
B	06/01/04	UPDATE DRAWING FORMAT
C	12/17/07	REVISE BODY LENGTH AND MOUNTING HOLES



QTY	DESCRIPTION	MATERIAL	FINISH
1	HOUSING W/ PANEL	BRASS	NEXCOTE
1	INSULATOR	TEFLON	NATURAL
3	CONTACT PIN	PHOS. BRONZE	GOLD
4	COVER	PE	NATURAL

UNLESS OTHERWISE SPECIFIED DIMENSIONS ARE IN MILLIMETERS. DIMENSIONS IN [ ] ARE IN INCHES AND FOR CUSTOMER REFERENCE ONLY.

UNLESS OTHERWISE SPECIFIED TOLERANCES FOR MILLIMETERS ARE:  
0.5 - 8mm ± 0.20mm  
8 - 30mm ± 0.40mm  
30 - 120mm ± 0.50mm

UNLESS OTHERWISE SPECIFIED TOLERANCES FOR INCHES ARE:  
.020 - .315 = ± 0.007"  
.315 - 1.180 = ± 0.015"  
1.180 - 4.724 = ± 0.020"

DO NOT SCALE DRAWING

APPROVALS	DATE
DRAWN G.R.S.	12/17/07
CHECKED	
ISSUED	
SHEET 1 OF 1	
CAD FILE C:/172/172195.DWG	

# Amphenol Connex

PART DESCRIPTION
N PANEL RECEPT. JACK
PART NO.
172195
DWG. NO.
172195.DWG
REV.
C
SIZE
A
SCALE
NA

# Mouser Electronics

Authorized Distributor

Click to View Pricing, Inventory, Delivery & Lifecycle Information:

[Amphenol:](#)

[172195](#)