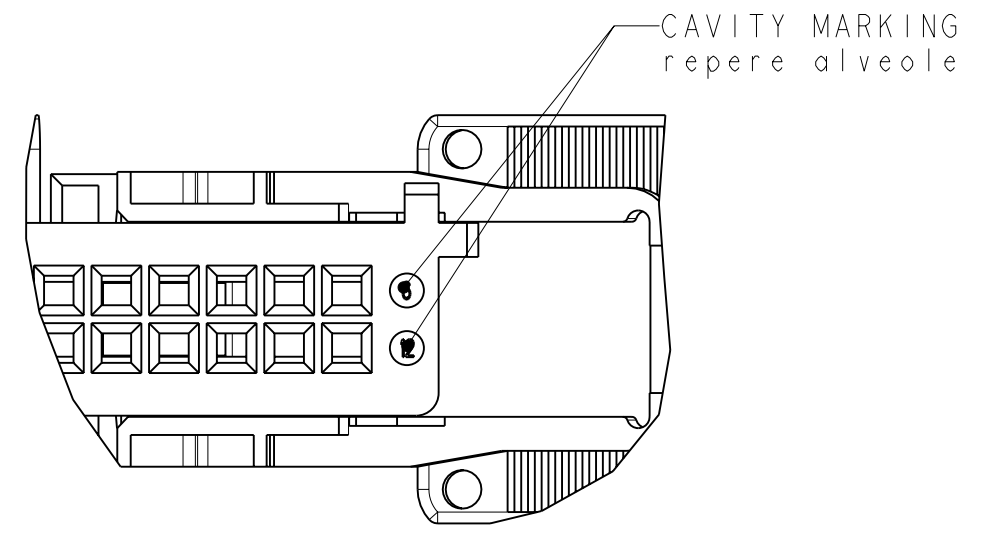
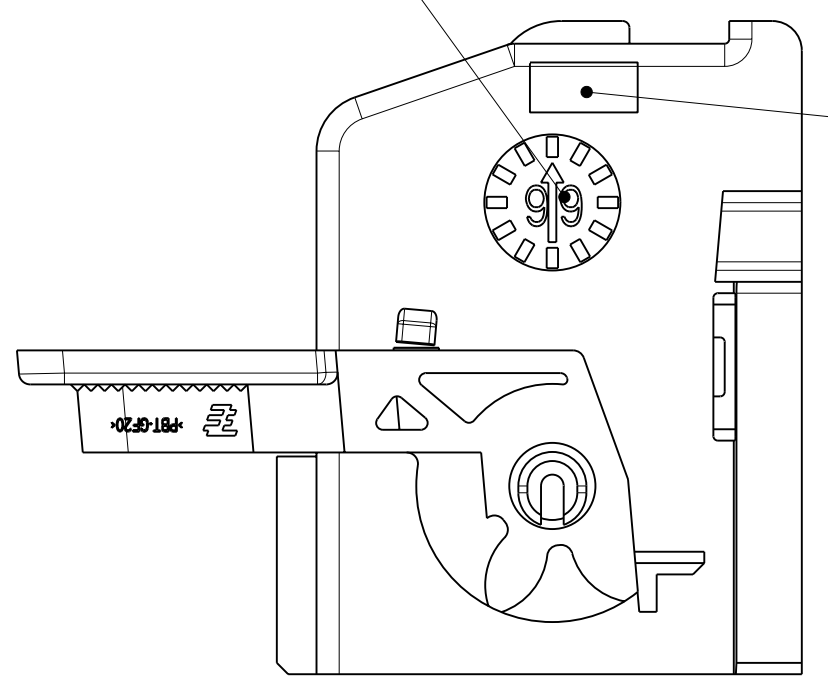
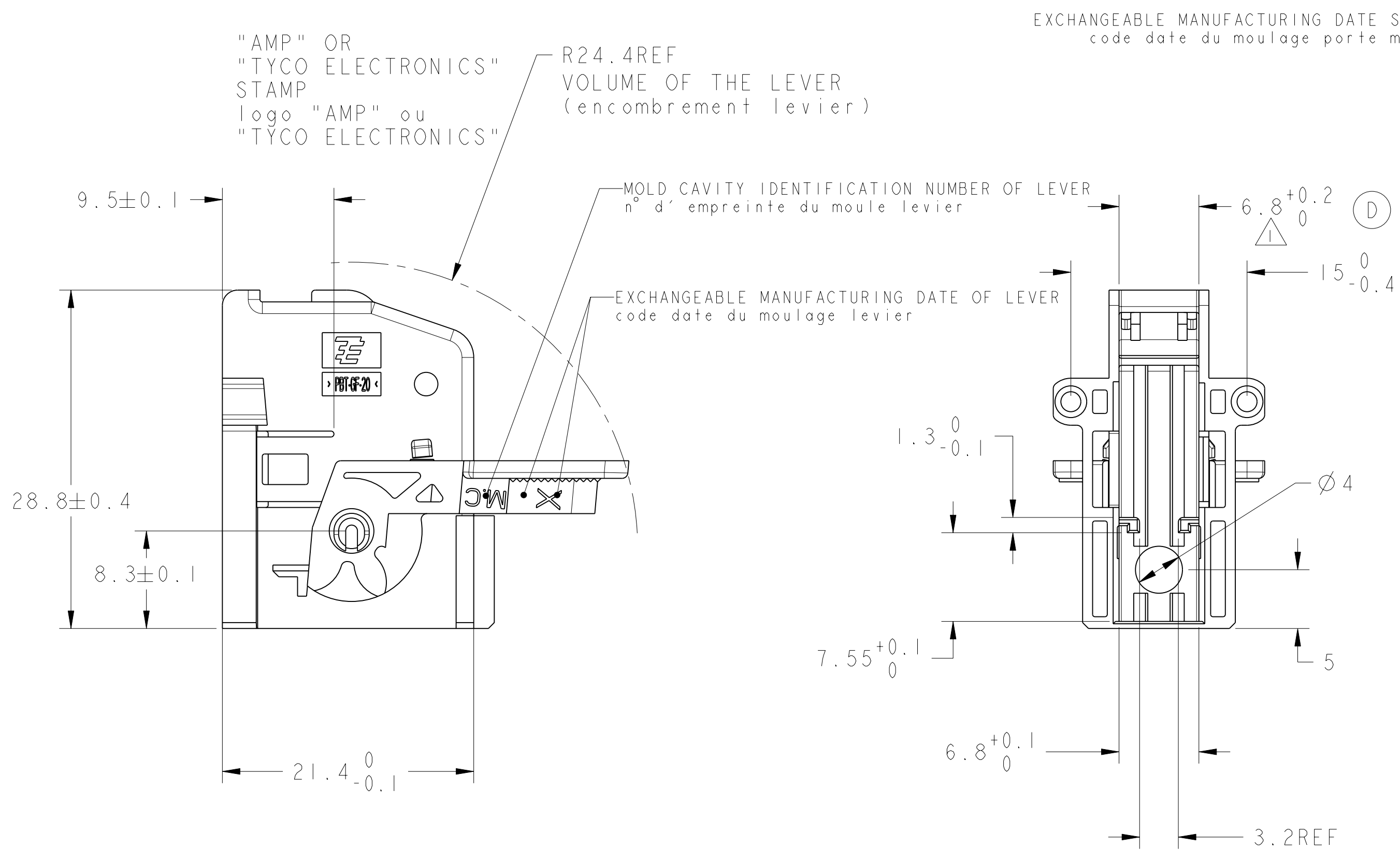


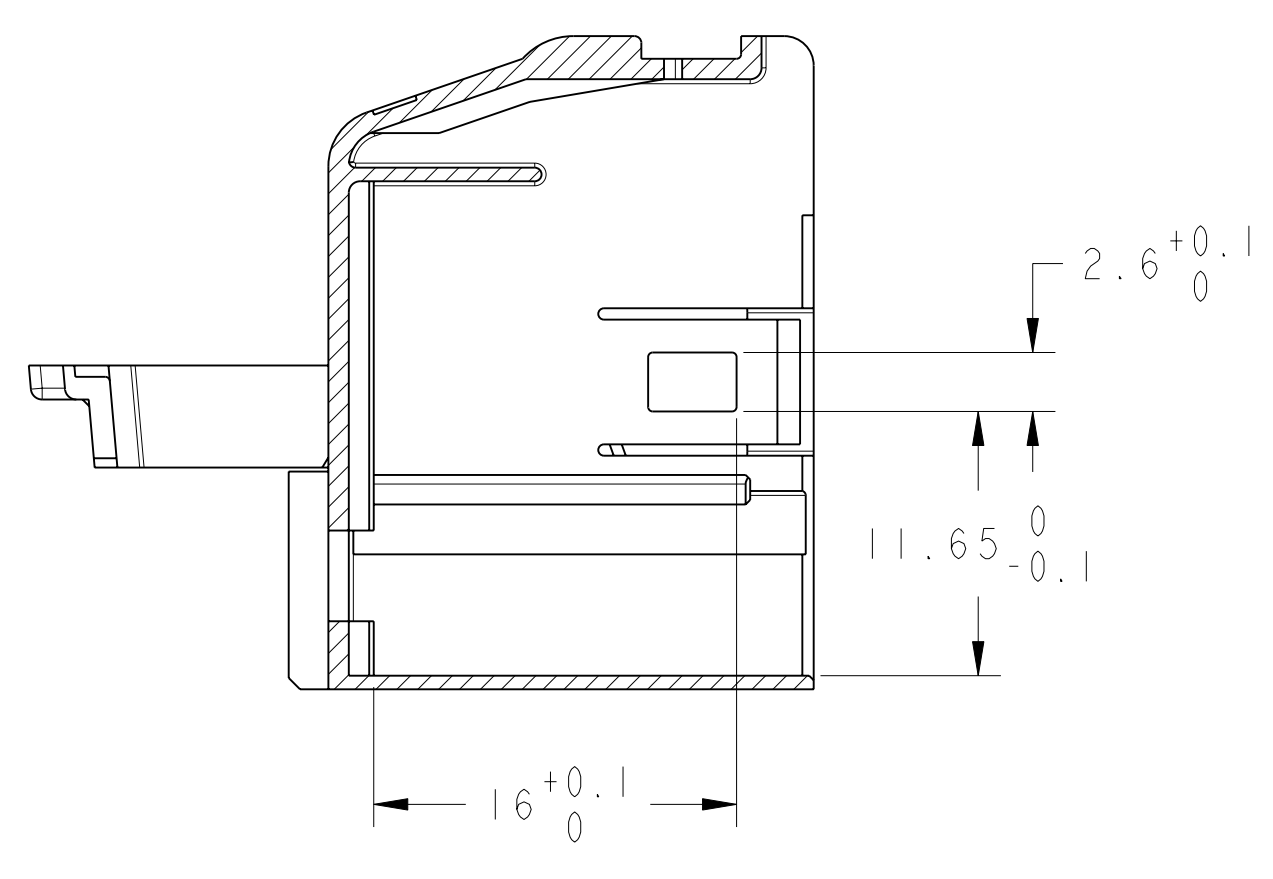
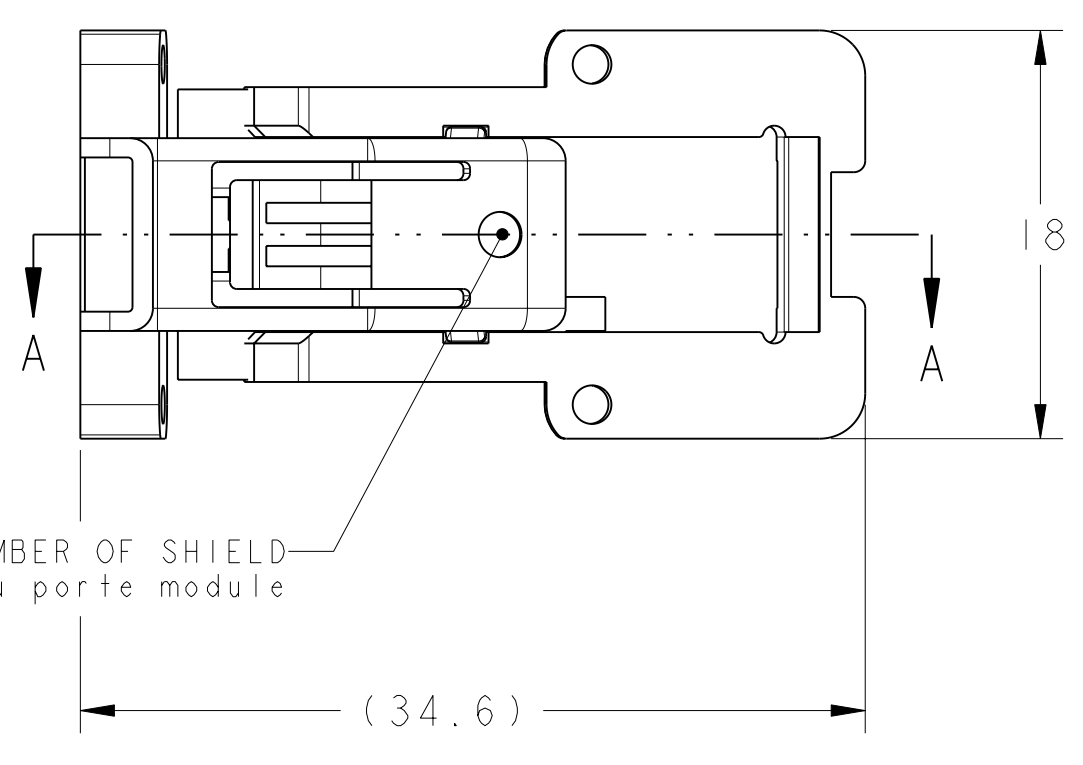
LOC	DIST	REVISIONS				
F	00	REV	DESCRIPTION MODIFICATIONS	DATE	DWN	APP
		A	MODIFICATION DESIGN FOR THE SHIELD	18APR2001	MP	JL
		B	ADDED PN 1397095-3	12AUG2003	MP	XR
		C	ADDED ASSEMBLY DATE CODE	13JUL2007	MP	XR
		D	DIMENSIONS UPDATED AND NOTE 1 ADDED	20AUG2010	EC	XR



DESIGNATION designation	ITEM rep.	QTTY qte	MATERIAL matiere	TE PN ref TE	COLOR couleur	KEYING detrompage
SHIELD capot	1	1	PBT GF 20% PBT 20% FV	1379095-3	BLACK noir	
LEVER levier	2	1	PBT GF 20% PBT 20% FV		BLACK noir	
SHIELD capot	1	1	PBT GF 20% PBT 20% FV	1379095-2	BLUE bleu	
LEVER levier	1	1	PBT GF 20% PBT 20% FV		BLACK noir	
SHIELD capot	1	1	PBT GF 20% PBT 20% FV	1379095-1	BROWN marron	
LEVER levier	2	1	PBT GF 20% PBT 20% FV		BLACK noir	



COUPE A-A



TITRE / TITLE: SHIELD + LEVER FOR MOS 12 POS (0) ASSY GENE 11 PORTE-MODULE 12 VOIES MOS GENE 11 ASSY (0)		DWN/DESSINE: M. POLIFONTE CHK/VERIFIE: J. LALANGE		APVO/APPROUVE: J. DE VILL		NAME: SHIELD + LEVER FOR MOS 12 POS (0) ASSY GENE 11 PRODUCT SPEC: 108-15261 APPLICATION SPEC: 411-15565		SIZE: A1 CAGE CODE: 00779 DRAWING NO: 1379095		RESTRICTED TO: RESERVE A			
DIMENSIONS: mm		TOLERANCES UNLESS OTHERWISE SPECIFIED: (USU) NB. DE DECIMALES: 0 1. PLC / DEC: ±0.2 2. PLC / DEC: ±0.2 3. PLC / DEC: ±0.2 4. PLC / DEC: ±0.2 ANGLES: ±4°		FINISH/FINITION: VOIR TABLEAU		WEIGHT: 3.2g MASSE APPROX: 3.2g		CUSTOMER DRAWING / PLAN CLIENT		UNIFORMITY SCALE: 3:1 SHEET OF: 1 OF 1		REV D	

# Mouser Electronics

Authorized Distributor

Click to View Pricing, Inventory, Delivery & Lifecycle Information:

[TE Connectivity:](#)

[1379095-3](#)