

NOTES:

ELECTRICAL:

- VOLTAGE RATING : 125 VAC.
- CURRENT RATING : 1.25 AMP.
- INSULATING RESISTANCE : 500 MEGOHMS MINIMUM.
- DIELECTRIC STRENGTH : 1000 VAC 60Hz, 1MIN.
- CATEGORY 6 CHARACTERISTIC:

Frequency Near-End Crosstalk Return Loss Insertion loss

MHz	dB, MIN.	dB, MIN.	dB, MAX.
1.0	75.0	30.0	0.1
4.0	75.0	30.0	0.1
8.0	75.0	30.0	0.1
10.0	74.0	30.0	0.1
16.0	69.9	30.0	0.1
20.0	68.0	30.0	0.1
25.0	66.0	30.0	0.1
31.25	64.1	30.0	0.11
62.5	58.1	28.1	0.16
100.0	54.0	24.0	0.20
200.0	48.0	18.0	0.28
250.0	46.0	16.0	0.32

MECHANICAL:

- SHIELD : STAINLESS STEEL, WITH TIN-DIP ON SOLDER TABS.
- HOUSING : HIGH TEMP THERMOPLASTIC. UL 94V-0.
- INSERT : HIGH TEMP THERMOPLASTIC UL 94V-0.
- PCB : FR-4.
- CONTACT : PHOSPHOR BRONZE. SELECTIVE GOLD PLATING FOR MATING SURFACE, SEE AMPHENOL PART NUMBER FOR DETAIL. 50u" NICKEL UNDERPLATE 100u" MATTE TIN PLATING ON CONTACT SOLDER TAIL.

ENVIRONMENTAL:

- STORAGE : -40° TO +85°.
  - OPERATION : -40° TO +85°.
- MATES WITH MODULAR PLUG CONFORMING TO FCC PART 68, SUBPART F.  
RECOMMENDED SOLDER PROCESS: WAVE SOLDER, PEAK TEMPERATURE 260° FOR 10 SECOND.

AMPHENOL PART NUMBER: RJE71-188-1XXX

GOLD PLATING OPTION \_\_\_\_\_  
 1=6u" GOLD PLATING  
 2=15u" GOLD PLATING  
 3=30u" GOLD PLATING  
 4=50u" GOLD PLATING

\_\_\_\_\_ OPTIONS (SEE BELOW TABLE 1)  
 \_\_\_\_\_ REFER TO LED OPTIONS DRAWING  
 \_\_\_\_\_ FOR ORDERING CODES

TABLE 1

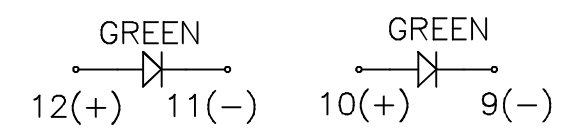
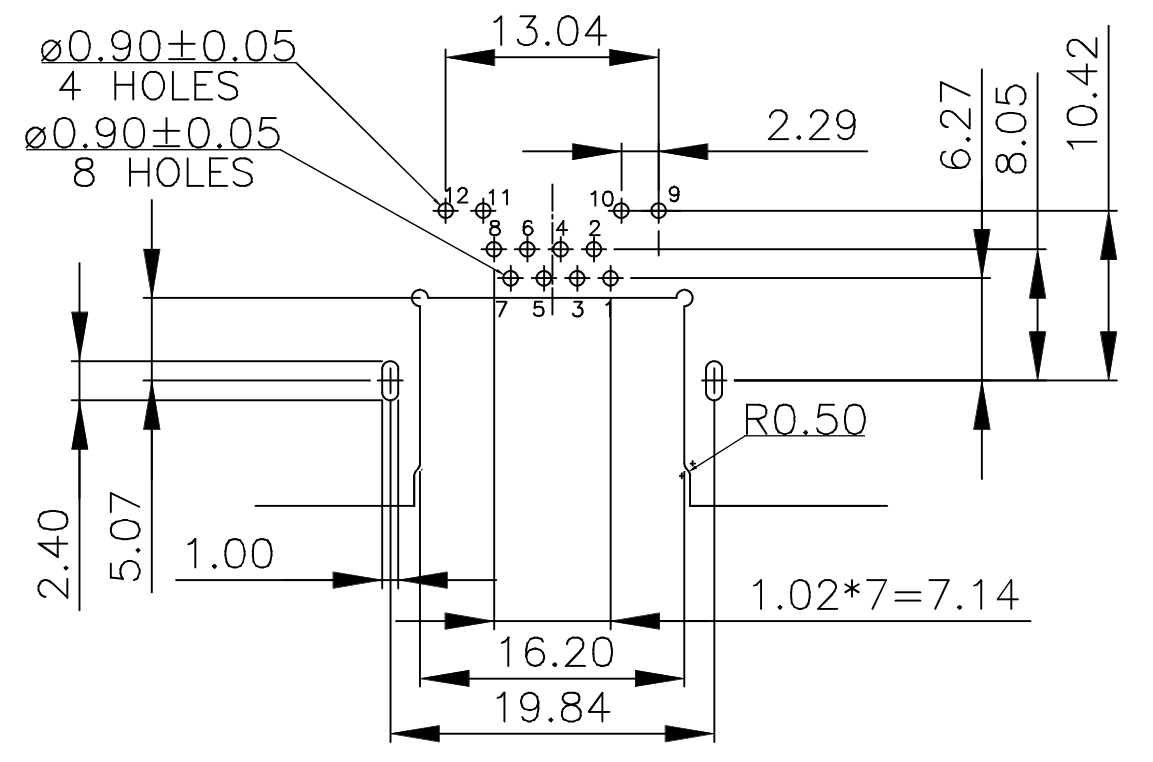
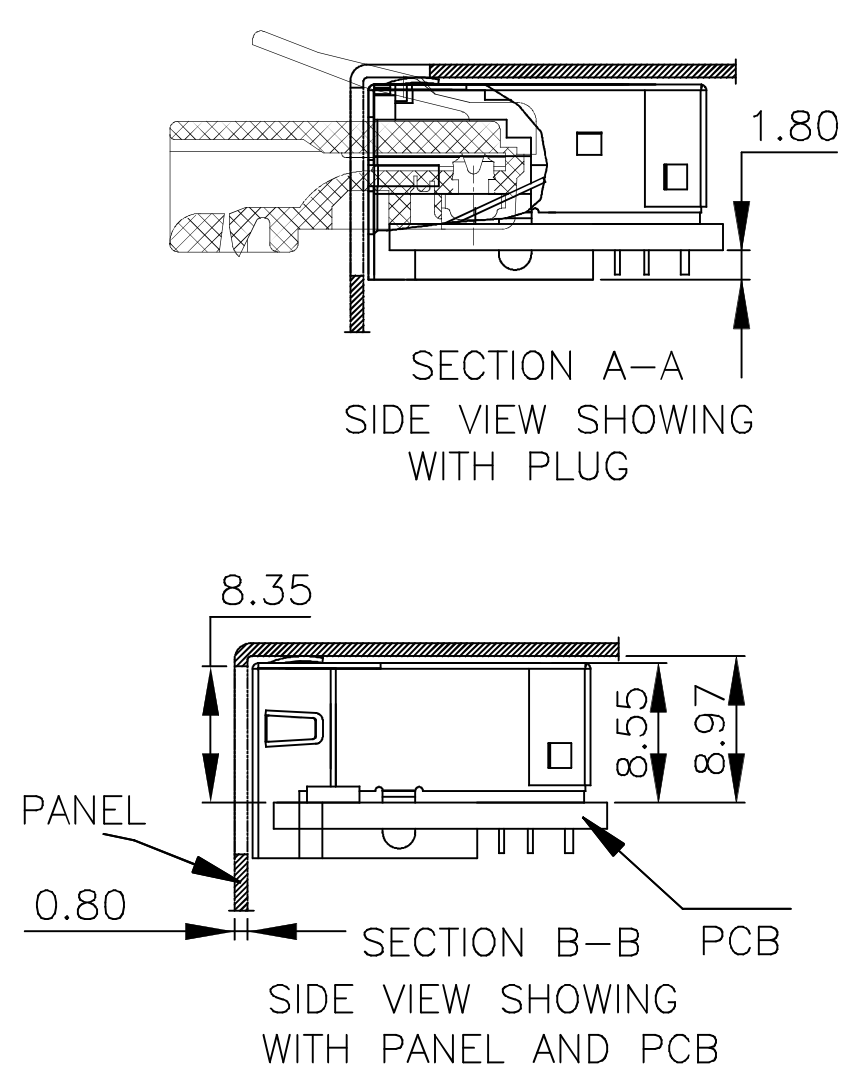
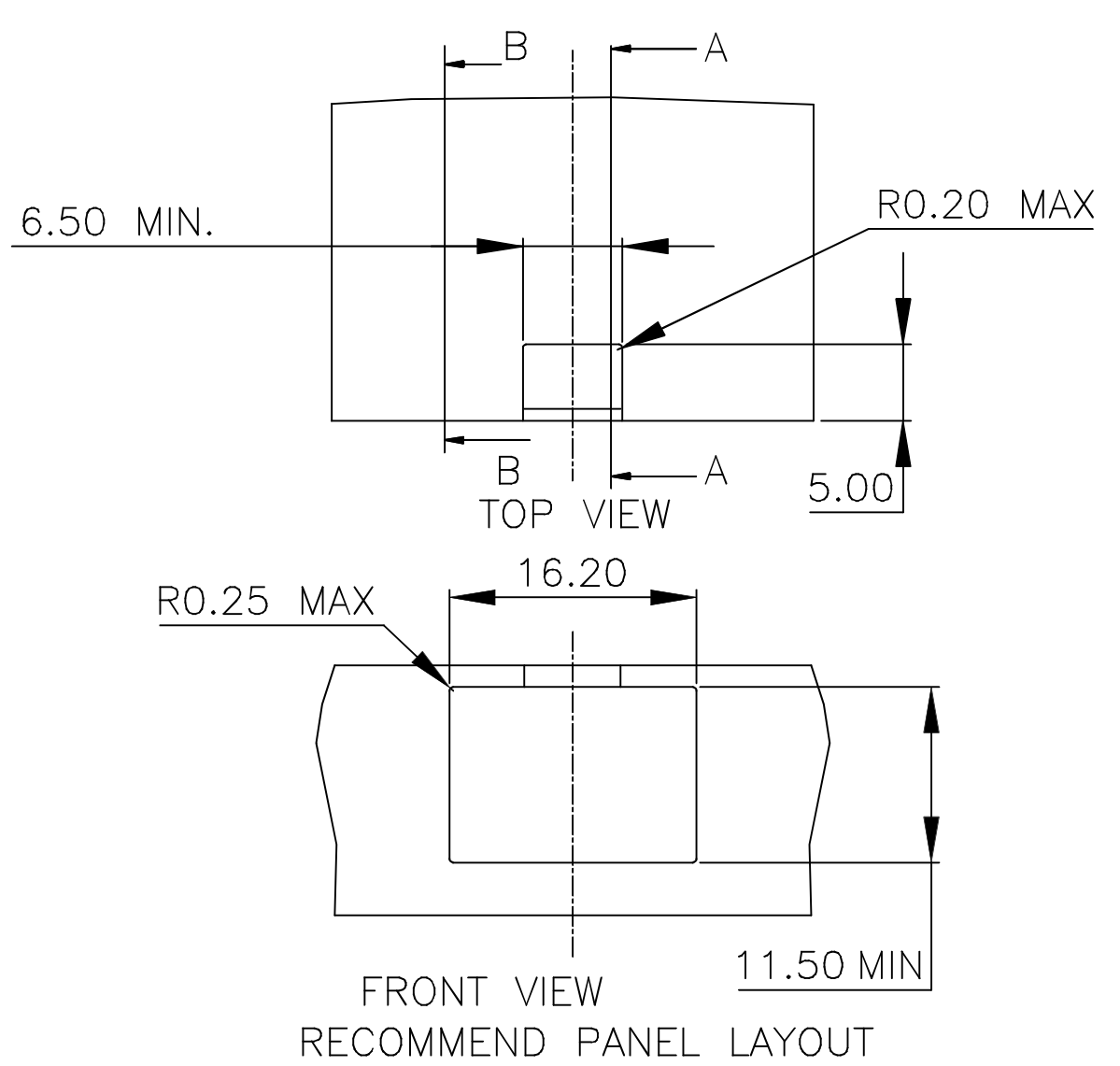
RJE711881XX1	3.18	2.36
RJE711881XX2	2.27	1.57
RJE711881XX3	2.16	1.57
AMPHENOL P/N:	DIM A	RECOMMEND PCB THICKNESS

DRAWN	HUGH WANG	DATE	JULY 17,2012
DESIGNED	HUGH WANG	DATE	JULY 17,2012
CHECKED	L.CHAN	DATE	JULY 17,2012
I. E. APPRD.			
Q. A. APPRD.			
DWG. APPRD.	ADRIAN.G	DATE	JULY 17,2012
ENG. REL. NO.			
REF.			
DIMENSIONS ARE IN	CODE ID. NO.		
mm	03554		

**Amphenol Canada Corp.**

TITLE  
 MODULAR JACK, SINGLE PORT, 8 POSITIONS, 8 CONTACTS,  
 SHIELDED WITH TOP & SIDE TABS, WITH LED,  
 SINK PCB TYPE, TAB UP, CAT6

DWG	DRAWING NO.	REV.
C	P-RJE71-188-1XXX	B
SCALE	4/1	WT. -----
SURF.	-----	SHEET 1 OF 1



UNLESS OTHERWISE SOECIFIED DIMENSION ARE IN mm TOLERANCE ARE : FRACTION DECIMALS ANGLES

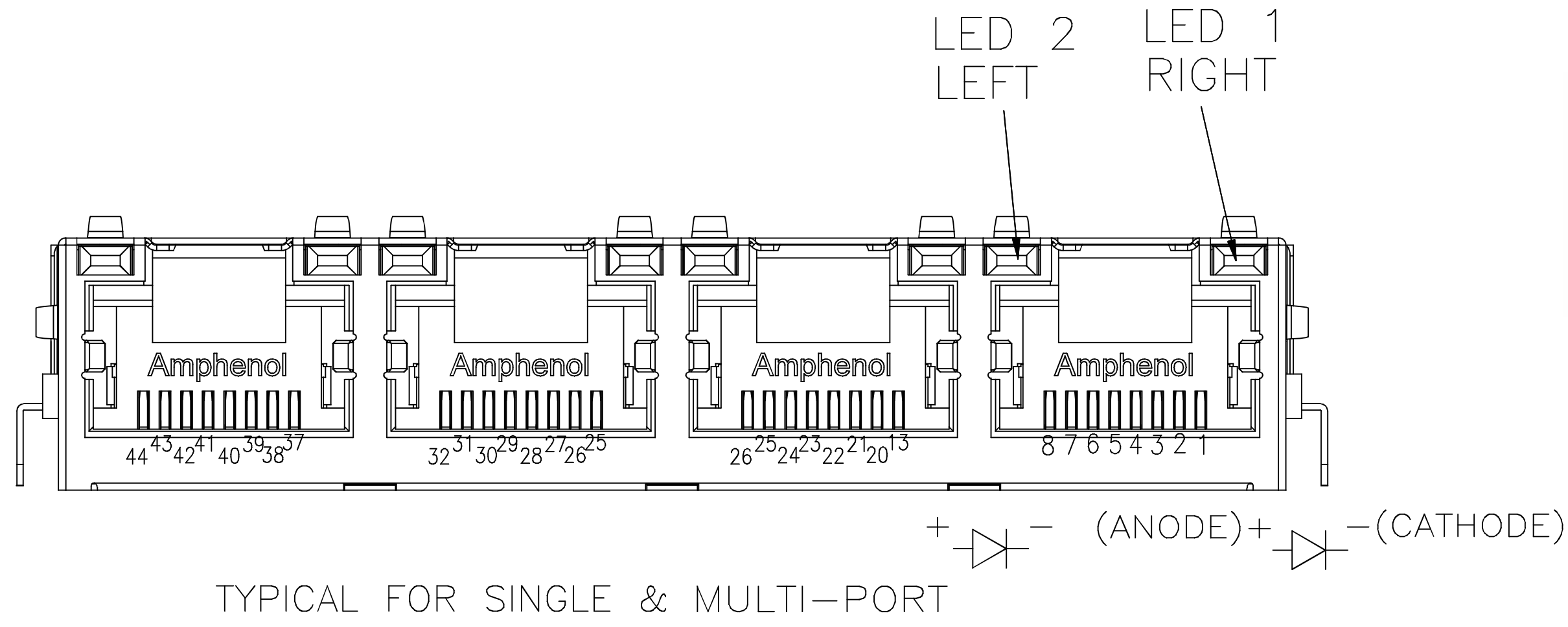
.X	±0.50	X'	±3.0°
.XX	±0.30	.X'	±2.0°
.XXX	±0.10	.XX'	±1.0°

3rd ANGLE PROJECTION

RECOMMENDED PCB LAYOUT  
 TOLERANCE: ±0.05mm.

THIS DOCUMENT CONTAINS PROPRIETARY INFORMATION AND SUCH INFORMATION MAY NOT BE DISCLOSED TO OTHERS FOR ANY PURPOSE OR USED FOR MANUFACTURING PURPOSES WITHOUT WRITTEN PERMISSION FROM AMPHENOL CANADA CORP.

REVISIONS			
REV	ECN, ERN NO.	DATE	APPRD.
A	PROPOSAL DRAWING	OCT. 30,2012	L.CHAN



LED SPECIFICATIONS:  
 FORWARD VOLTAGE: 2.1 VOLTS TYP.  
 REVERSE VOLTAGE: 5.0 VOLTS MIN.  
 LUMINOUS INTENSITY: 0.5 mCd MIN.  
 (AT If=2mA)  
 STORAGE TEMPERATURE: -40° TO 85° C  
 LEAD SOLDERING TEMPERATURE: 260° C  
 (5 SEC, 1/16" FROM CASE)  
 PLATING ON TAILS: TIN OR TIN/COPPER ALLOY OVER SILVER

EXAMPLE:

PART NUMBER RJE71-488-1XXX



PRIMARY COLOR FOR BI-COLOR  
 LEDs IN STANDARD ANODE/  
 CATHODE CONFIGURATION IS:  
 RED-GREEN= RED  
 RED-YELLOW= RED  
 GREEN-YELLOW= GREEN  
 GREEN-ORANGE= GREEN

CODE	LED 2 (LEFT)	LED 1 (RIGHT)	CODE	LED 2 (LEFT)	LED 1 (RIGHT)	CODE	LED 2 (LEFT)	LED 1 (RIGHT)
0	BLOCKED	BLOCKED	9	GREEN	BLOCKED	J	BiC RD/GR	YELLOW
1	YELLOW	GREEN	A	BiC GR/YE	BiC GR/YE	K	YELLOW	BiC GR/OR
2	BLOCKED	GREEN	B	BiC RD/GR	BiC RD/GR	L	BiC GR/YE	RED
3	YELLOW	BLOCKED	C	BiC RD/GR	BiC GR/YE	M	RED	YELLOW
4	GREEN	YELLOW	D	GREEN	BiC GR/YE	P	GREEN	BiC RD/GR
5	GREEN	GREEN	E	YELLOW	BiC GR/YE	R	BiC GR/OR	GREEN
6	YELLOW	YELLOW	F	BiC GR/YE	YELLOW	T	RED	RED
7	RED	GREEN	G	BiC GR/OR	BiC GR/OR	V	BiC RD/GR	GREEN
8	GREEN	RED	H	BiC GR/YE	GREEN			

LEGEND  
 BiC=BI-COLOR LED  
 LOWC=LOW CURRENT LED  
 YE=YELLOW  
 GR=GREEN  
 RD=RED  
 OR=ORANGE

NOTE:  
 THE TWO DIGITS PRECEDING THE  
 ADDITIONAL LED CODE MUST BE  
 USED IN THE PART NUMBER, WHEN  
 ORDERING ANY OF THE ADDITIONAL  
 LED OPTIONS.

THIS DOCUMENT CONTAINS PROPRIETARY INFORMATION AND SUCH INFORMATION  
 MAY NOT BE DISCLOSED TO OTHERS FOR ANY PURPOSE OR USED FOR MANUFACTURING  
 PURPOSES WITHOUT WRITTEN PERMISSION FROM AMPHENOL CANADA CORP.

UNLESS OTHERWISE SOECIFIED DIMENSION ARE IN mm TOLERANCE ARE : FRACTION DECIMALs ANGLES	DRAWN HUGH WANG	DATE OCT 30,2012
	DESIGNED HUGH WANG	OCT 30,2012
.X ±0.50 X° ±3.0° .XX ±0.30 .X° ±2.0° .XXX ±0.10 .XX° ±1.0°	CHECKED L.CHAN	OCT 30,2012
 3rd ANGLE PROJECTION	I. E. APPRD.	
	Q. A. APPRD.	
	DWG. APPRD. ADRIAN.G	OCT 30,2012
	ENG. REL. NO.	
	REF.	
	DIMENSIONS ARE IN mm	CODE ID. NO. 03554

Amphenol Canada Corp.		
TITLE LED OPTIONS FOR RJE71, SINGLE OR MULTI-PORT CONNECTORS		
DWG C	DRAWING NO. P-RJE71-LEDs	REV. A
SCALE 4/1	WT. -----	SURF. -----
SHEET 1 OF 1		