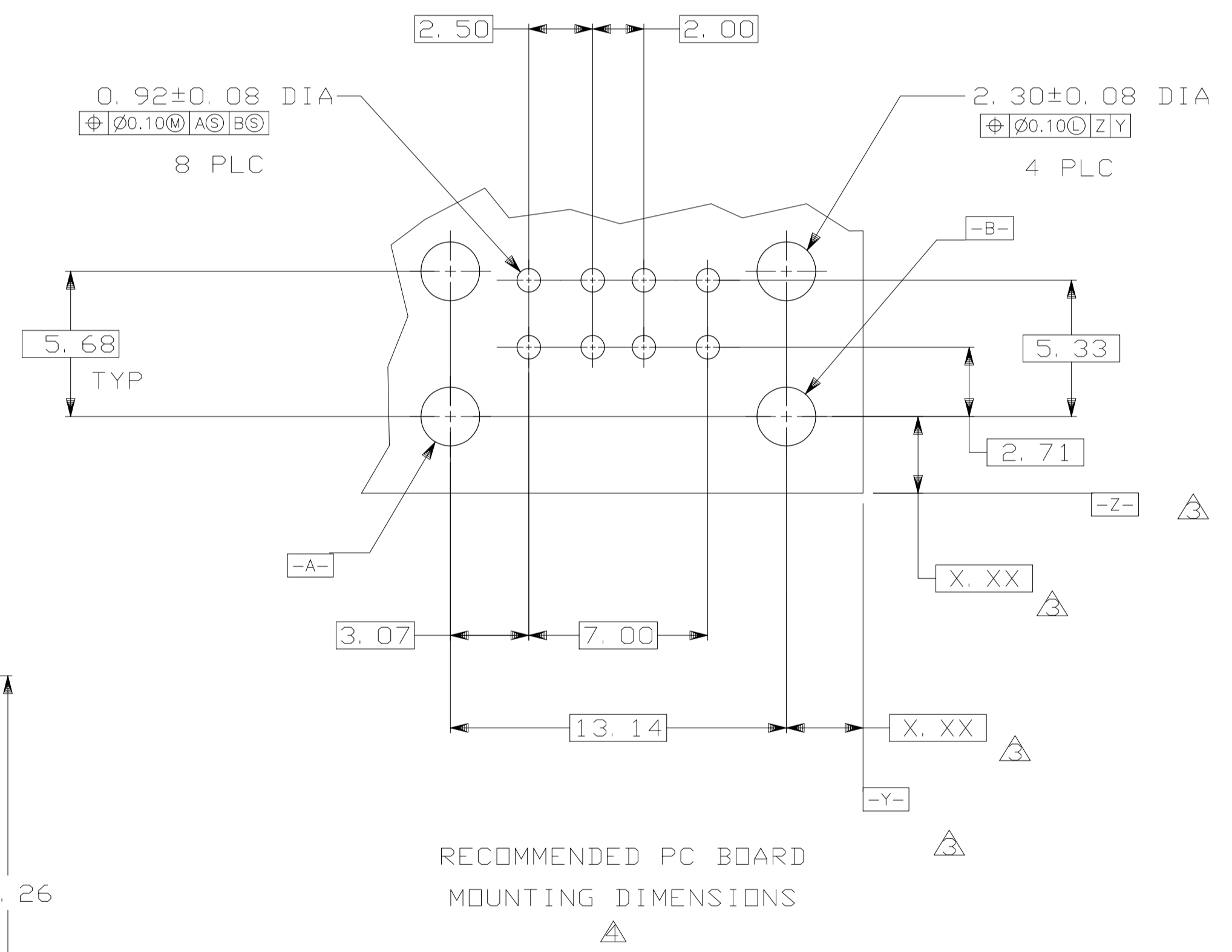
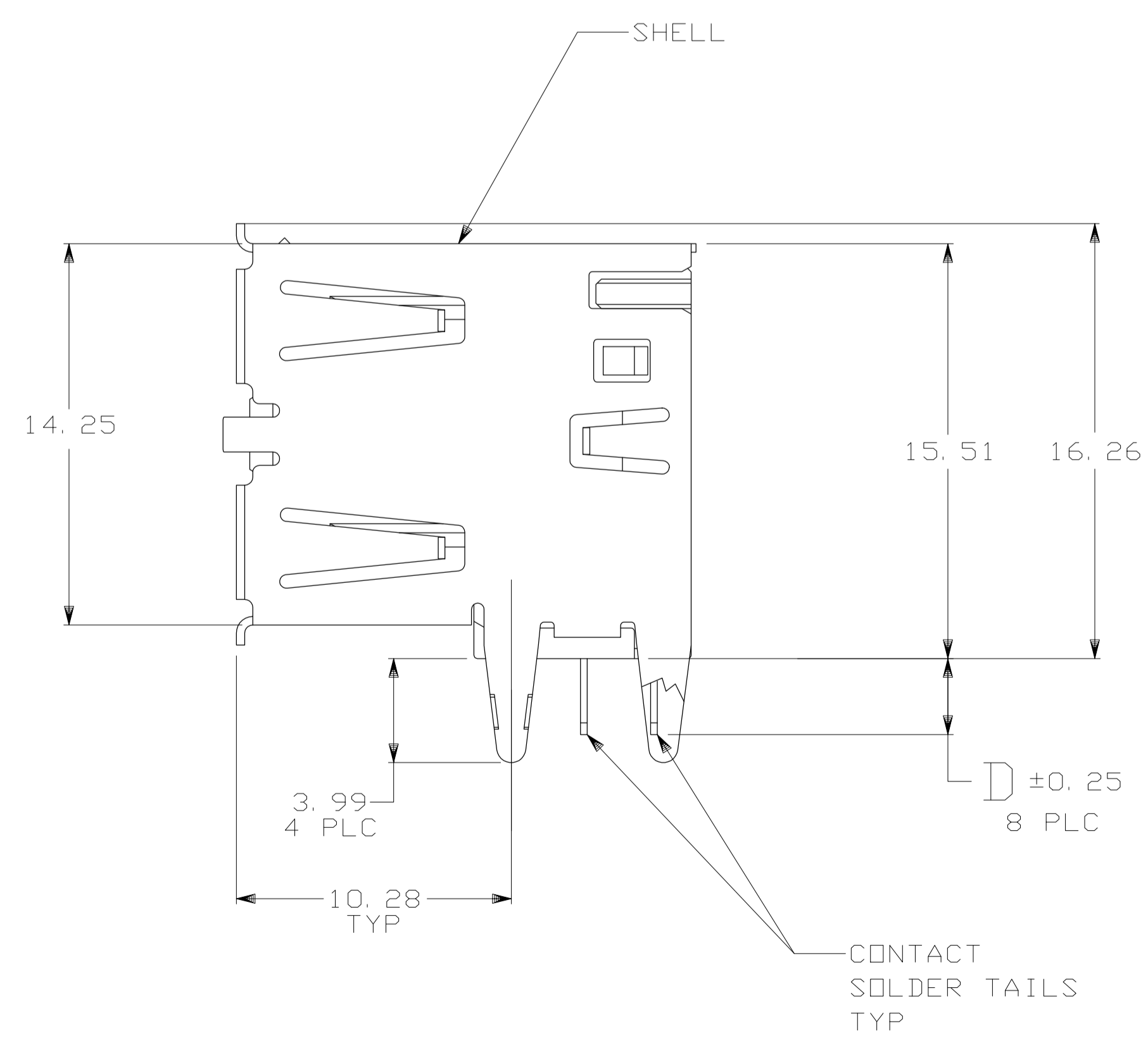
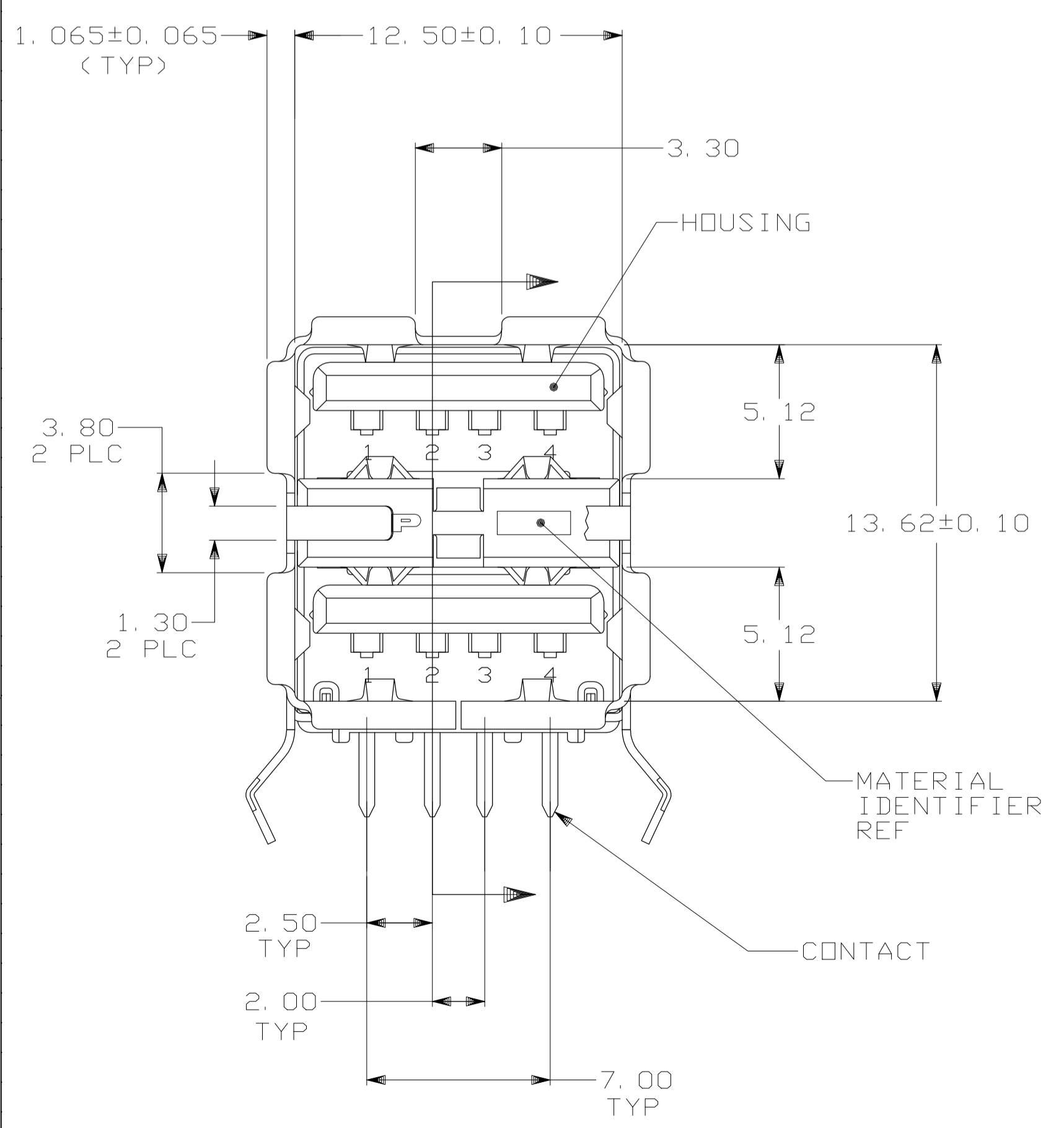


- ⚠ MATERIAL:
SHELL & CONTACTS- COPPER ALLOY.
HOUSING- UL 94V-0 RATED, THERMOPLASTIC, SEE TABLE.
- ⚠ PLATING:
CONTACTS- 0.076 MICROMETERS MINIMUM GOLD OVER 0.76 MICROMETERS MINIMUM PALLADIUM-NICKEL ON MATING AREA. OR CONTACT ALTRENATE PLATING 0.76 MICROMETERS MINIMUM GOLD ON MATING AREA.
3.80 MICROMETERS MINIMUM TIN ON SOLDER TAILS.
BOTH OVER 1.27 MICROMETERS MINIMUM NICKEL.
SHELL: 2~5μm THICK TIN
- ⚠ DATUM AND BASIC DIMENSIONS ESTABLISHED BY CUSTOMER.
- ⚠ RECOMMENDED PC BOARD THICKNESS OF 1.57.

LEAD FREE



YES	2.29±0.25	BLACK	5787745-5
YES	2.84±0.25	BLACK	5787745-4
NO	2.84±0.25	NATURAL	5787745-3
NO	2.29±0.25	BLACK	5787745-2
NO	2.84±0.25	BLACK	5787745-1
HIGH TEMPERATURE COMPATIBLE	D	HOUSING COLOR	PART NUMBER

THIS DRAWING IS A CONTROLLED DOCUMENT.		DIN	LEO ZHOU	26OCT2004	TE Connectivity
DIMENSIONS: mm		CHK	STEVEN YAO	26OCT2004	
TOLERANCES UNLESS OTHERWISE SPECIFIED:		APVD	LENOMOTO	26OCT2004	NAME
0 PLC ± -	1 PLC ± 0.35	APPLICATION SPEC		RECEPTACLE ASSEMBLY, RIGHT ANGLE, STACKED, THRU-HOLE, USB	
2 PLC ± 0.25	3 PLC ± 0.15	SIZE		CASE CODE	
4 PLC ± - ± 3°	ANGLES	WEIGHT		DRAWING NO	
MATERIAL		FINISH		A1 00779 5787745	
CUSTOMER DRAWING		SCALE		SHEET 1 OF 1	
		1:1		REV A2	

Mouser Electronics

Authorized Distributor

Click to View Pricing, Inventory, Delivery & Lifecycle Information:

[TE Connectivity:](#)

[5787745-2](#)