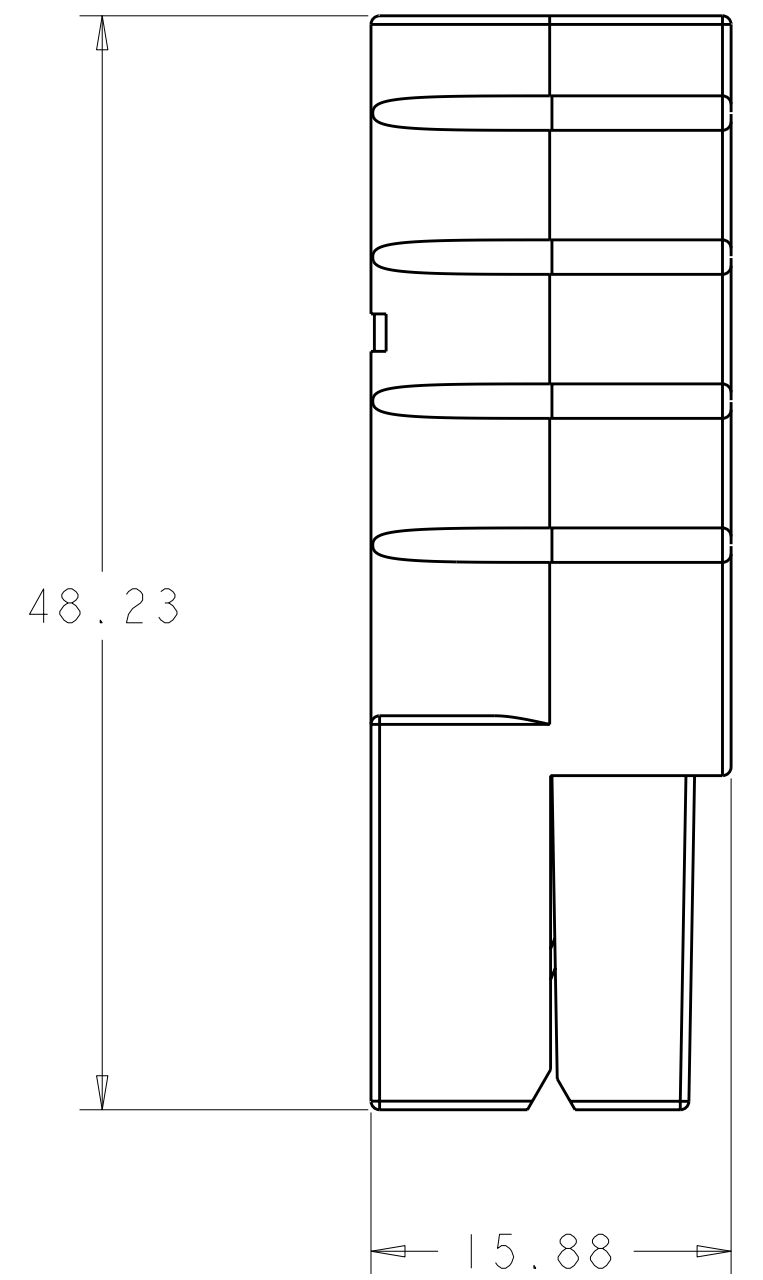
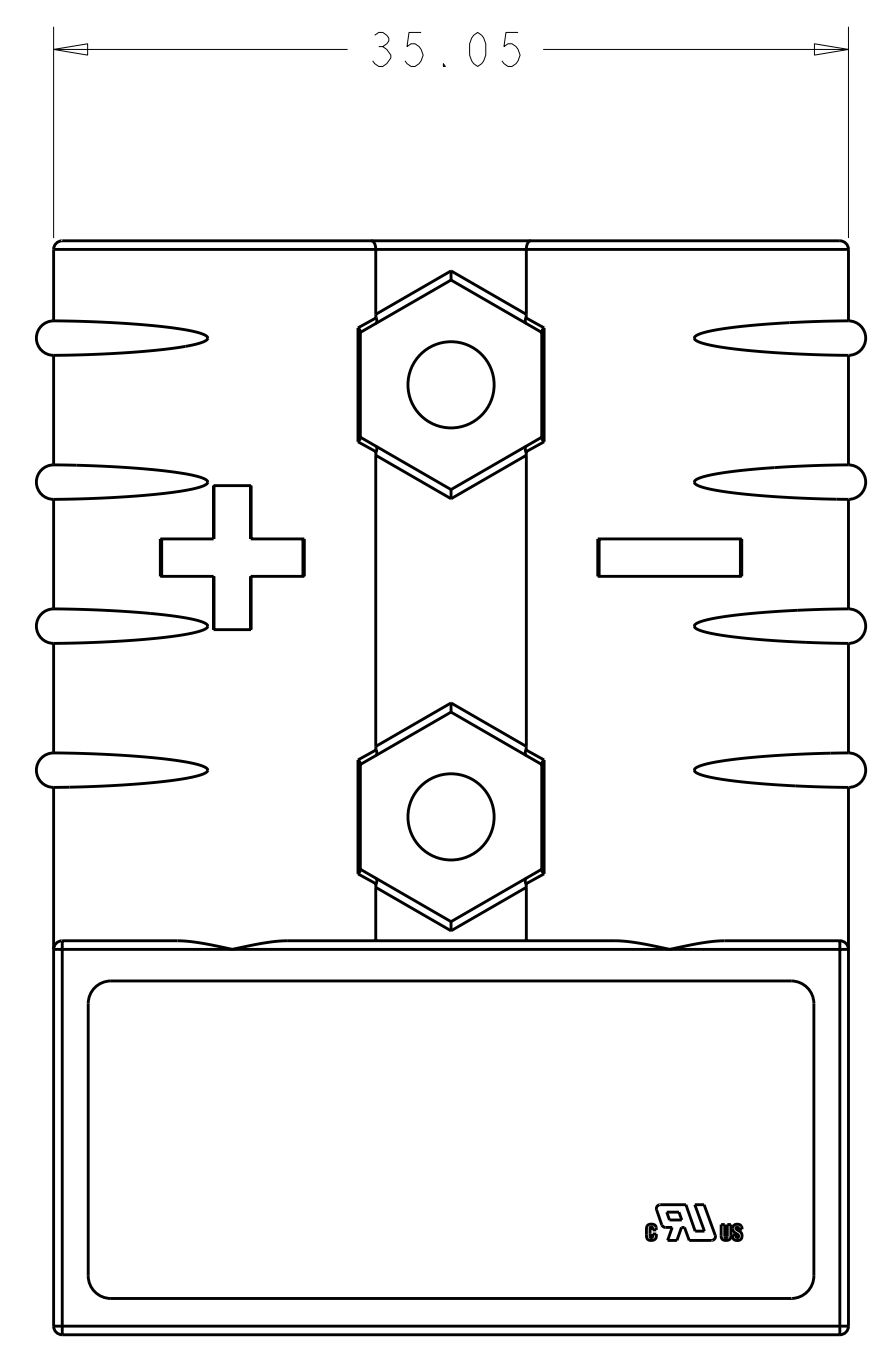
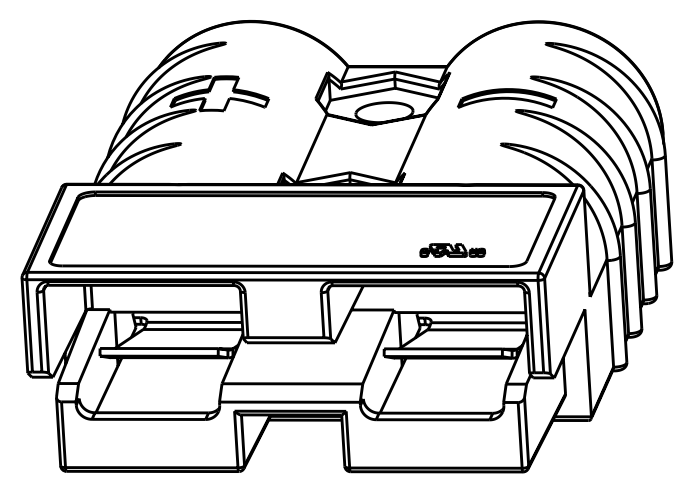


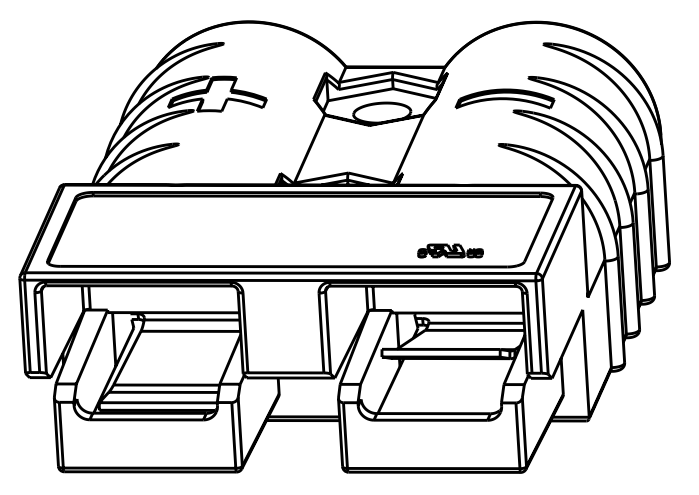
| LOC | DIST | REVISIONS | | | |
|-----|------|-----------|-----------|----|------|
| | | REV | DATE | BY | APPD |
| CM | 00 | A3 | 11MAR2011 | RK | HMR |
| | | | | | |
| | | | | | |



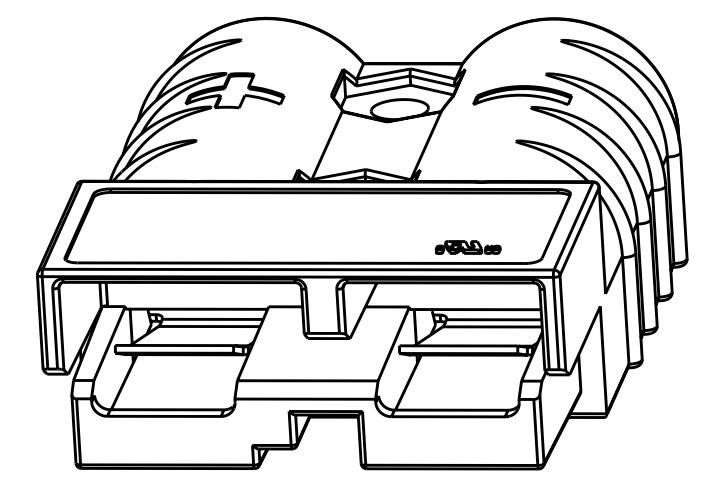
1. THIS PRODUCT HAS PASSED VERIFICATION AND AGENCY APPROVALS TESTING AND IS COMPONENT RECOGNIZED PER UL 1977 AND CSA 22.2. TE CONNECTIVITY PRODUCT QUALIFICATION TESTING IS NOT YET COMPLETED.



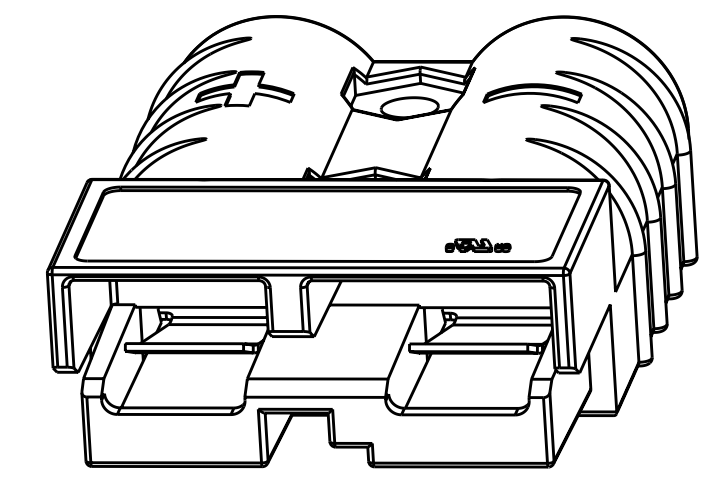
647845-3
SCALE 2:1



647845-4 AND 647845-7
SCALE 2:1



647845-5
SCALE 2:1



647845-8
SCALE 2:1

| | |
|--------|-------------|
| YELLOW | 647845-8 |
| BLACK | 647845-7 |
| BLUE | 647845-5 |
| GRAY | 647845-4 |
| RED | 647845-3 |
| COLOR | PART NUMBER |



| | | | |
|--|-------------|-------------------------------|---|
| THIS DRAWING IS A CONTROLLED DOCUMENT. | | DWN SHANE WUEST 18JUN2001 | TE Connectivity |
| DIMENSIONS: mm | | CHK K. KETELSLEGER 18JUN2001 | |
| TOLERANCES UNLESS OTHERWISE SPECIFIED: | | APVD K. KETELSLEGER 18JUN2001 | NAME |
| 0 PLC ± | 1 PLC ±0.13 | PRODUCT SPEC | CONNECTOR ASSEMBLY, AMP POWER SERIES 50 |
| 2 PLC ±0.13 | 3 PLC ± | APPLICATION SPEC | SIZE CAGE CODE DRAWING NO |
| 4 PLC ± | ANGLES ± | WEIGHT | A100779C-647845 |
| MATERIAL | FINISH | CUSTOMER DRAWING | RESTRICTED TO |
| | | SCALE 2:1 | SHEET 1 OF 1 REV A3 |

Mouser Electronics

Authorized Distributor

Click to View Pricing, Inventory, Delivery & Lifecycle Information:

[TE Connectivity:](#)

[647845-7](#)