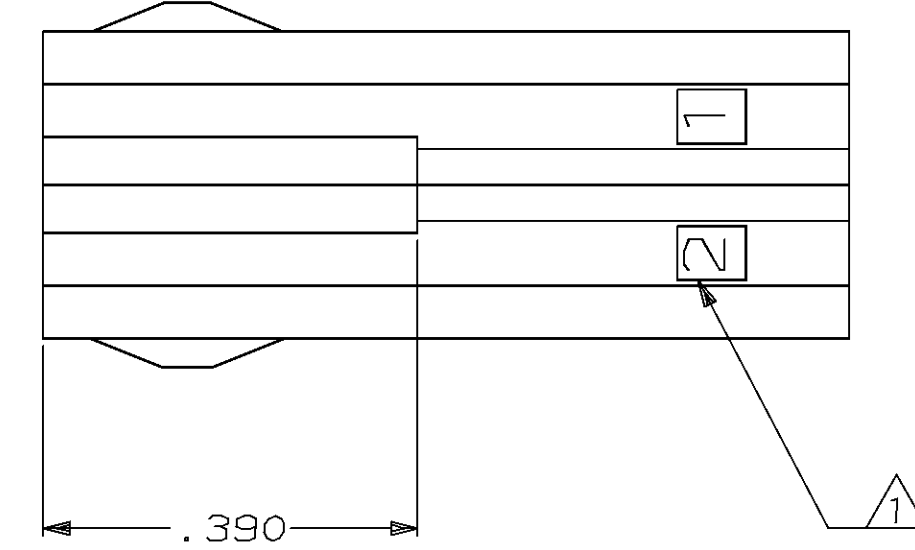
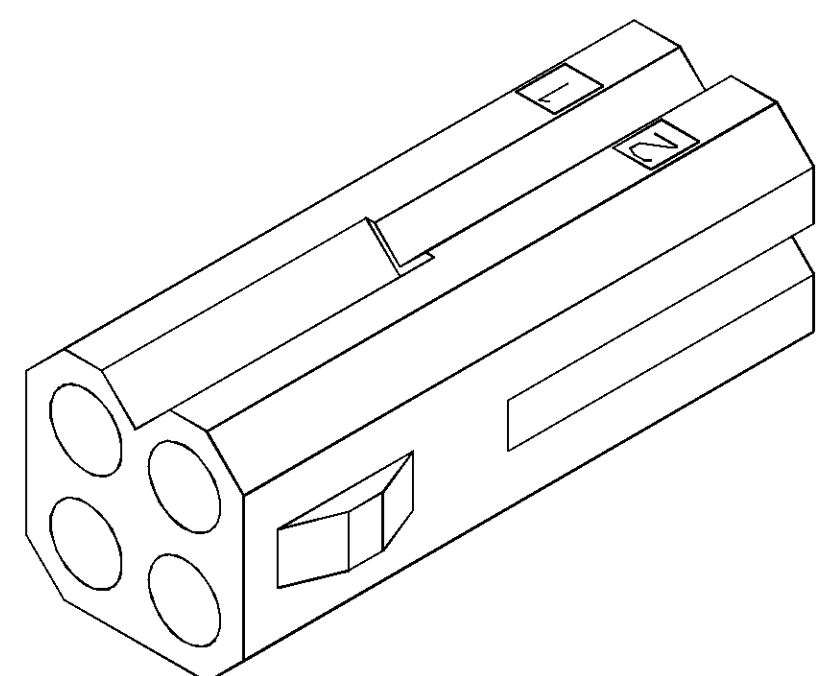
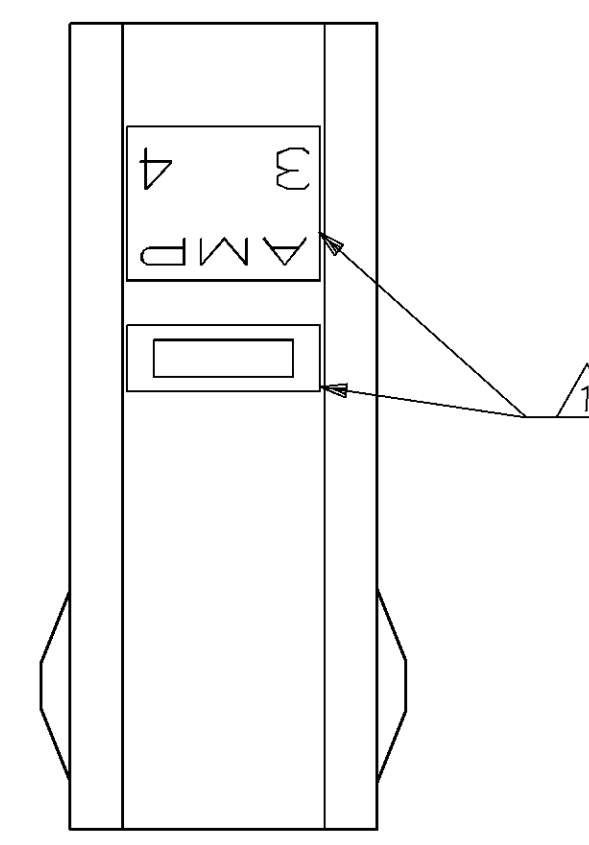
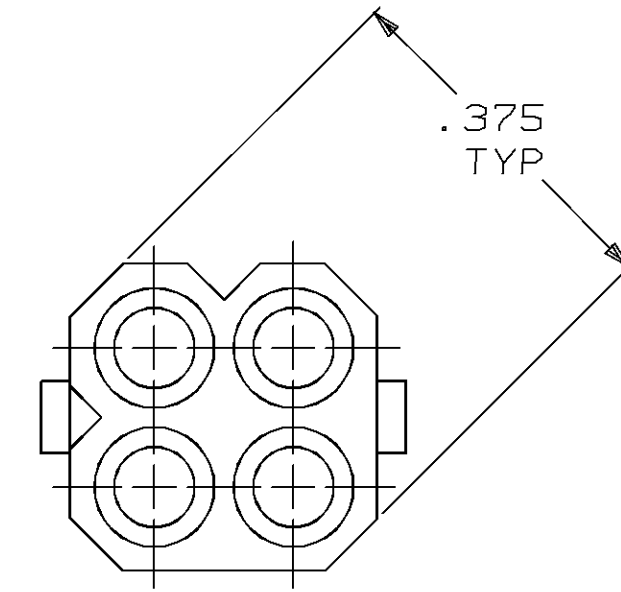
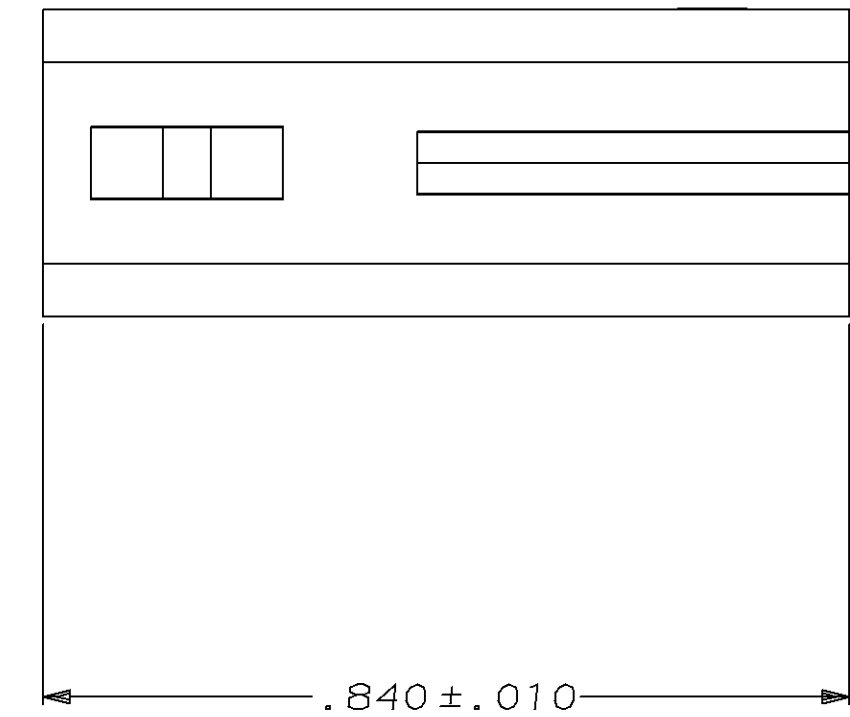
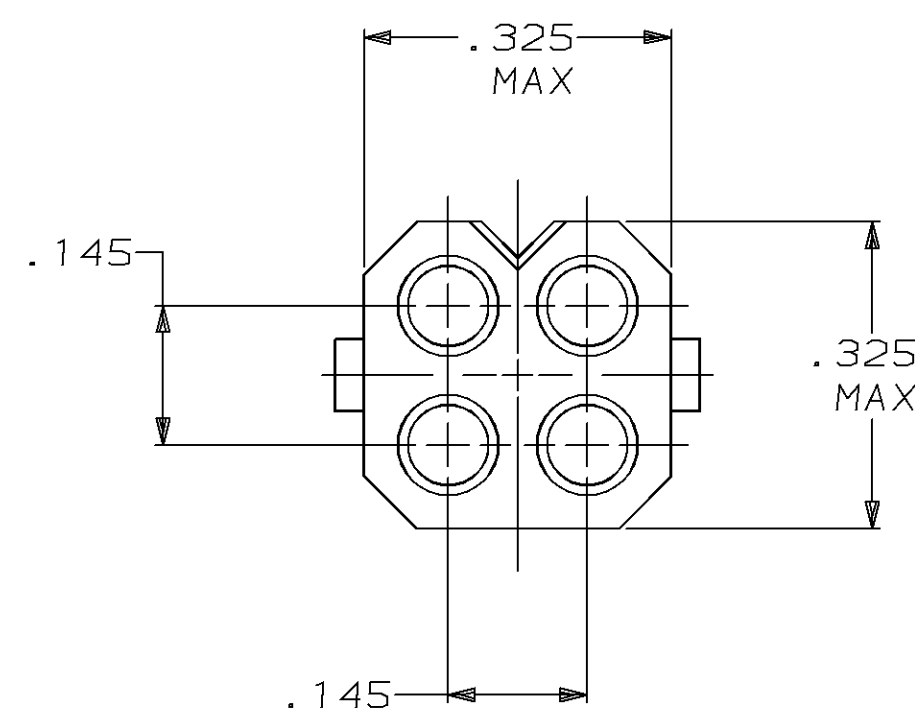


LOC		DIST		P		F		ZONE		LTR		REVISIONS		DATE	APPD	
CM	53												D	REV PER EC 0L30-0084-96	10-24-96	JH RS



- 1. AMP LOGO AND CIRCUIT NUMBER LOCATED APPROXIMATELY AS SHOWN.
- 2. PART FITS THROUGH A .395 DIA HOLE.
- 3. MATING HOUSING PART NUMBER IS 770538-1.



3-DIMENSIONAL MODEL
NTS

IN	MM	IN	MM
.325	8.26	-	-
.145	3.68	.840	21.34
.062	1.57	.395	10.03
.010	0.25	.390	9.91
.005	0.13	.375	9.53

CONVERSION TABLE

METRIC

DO NOT SCALE PRINT. UNLESS SPECIFIED DIMENSIONS IN INCHES TOLERANCES ON: 2 PLC DEC ± 3 PLC DEC ± .005 ANGLES ±		DR 8-16-96 B. LEWIS	AMP INCORPORATED Harrisburg, Pa. 17105	
MATERIAL NYLON, UL94V-2, NATURAL		CHK 8-16-96 R. SWING		
FINISH		APPD 8-16-96 C. CASH	NAME RECEPTACLE, 4 CIRCUIT, .062 PIN AND SOCKET	
APPLICATION SPEC		APPD 8-16-96 C. CASH	DRAWING NO 770432	
WEIGHT		PRODUCT SPEC	SIZE D	FSCM NO 00779
			SCALE 5:1	SHEET 1 OF 1

770432-1
PART NO

Mouser Electronics

Authorized Distributor

Click to View Pricing, Inventory, Delivery & Lifecycle Information:

[TE Connectivity:](#)

[770432-1](#)