

Connector assembly frame - HC-SMR-B24 - 1687985

Please be informed that the data shown in this PDF Document is generated from our Online Catalog. Please find the complete data in the user's documentation. Our General Terms of Use for Downloads are valid (<http://phoenixcontact.com/download>)



HEAVYCON connector assembly frame, for contact inserts of type B24

The illustration shows version HC-SMR- B 6



Key Commercial Data

Packing unit	1 pc
Weight per Piece (excluding packing)	170.8 g
Custom tariff number	85389099
Country of origin	Germany

Technical data

General

Note	For contact inserts B24, BB48, DD108 and HV10; swiveling frame
Material	PA
Flammability rating according to UL 94	HB
Type	B24

Standards and Regulations

Flammability rating according to UL 94	HB
--	----

Classifications

eCl@ss

eCl@ss 4.0	27140816
eCl@ss 4.1	27140816
eCl@ss 5.0	27143424
eCl@ss 5.1	27143424

Connector assembly frame - HC-SMR-B24 - 1687985

Classifications

eCl@ss

eCl@ss 6.0	27143424
eCl@ss 7.0	27440209
eCl@ss 8.0	27440206
eCl@ss 9.0	27440206

ETIM

ETIM 3.0	EC002310
ETIM 4.0	EC002310
ETIM 5.0	EC002312

UNSPSC

UNSPSC 6.01	31251501
UNSPSC 7.0901	31251501
UNSPSC 11	31251501
UNSPSC 12.01	31251501
UNSPSC 13.2	31251501

Approvals

Approvals

Approvals

EAC

Ex Approvals

Approvals submitted

Approval details

EAC

Accessories

Accessories

Device marking

Connector assembly frame - HC-SMR-B24 - 1687985

Accessories

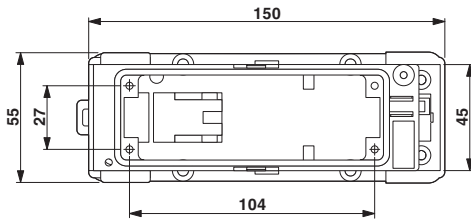
Contact marker – zack marker strip - SS-ZB WH - 5031171



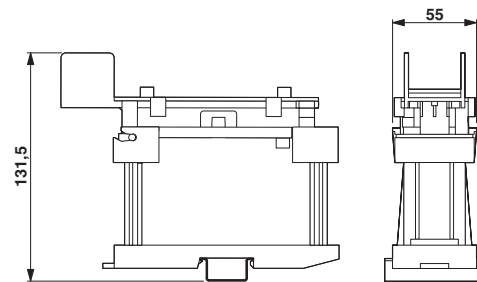
Contact marker – zack marker strip, Strip, white, unlabeled, can be labeled with: Plotter, Mounting type: Snap into flat marker groove, Lettering field: 20 mm x 8 mm

Drawings

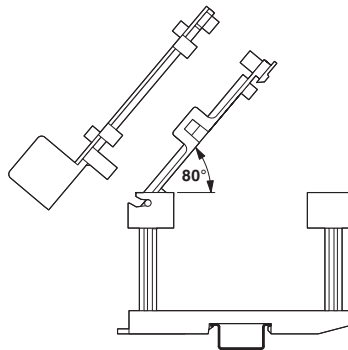
Dimensional drawing



Dimensional drawing



Schematic diagram



Mouser Electronics

Authorized Distributor

Click to View Pricing, Inventory, Delivery & Lifecycle Information:

[Phoenix Contact:](#)

[1687985](#)